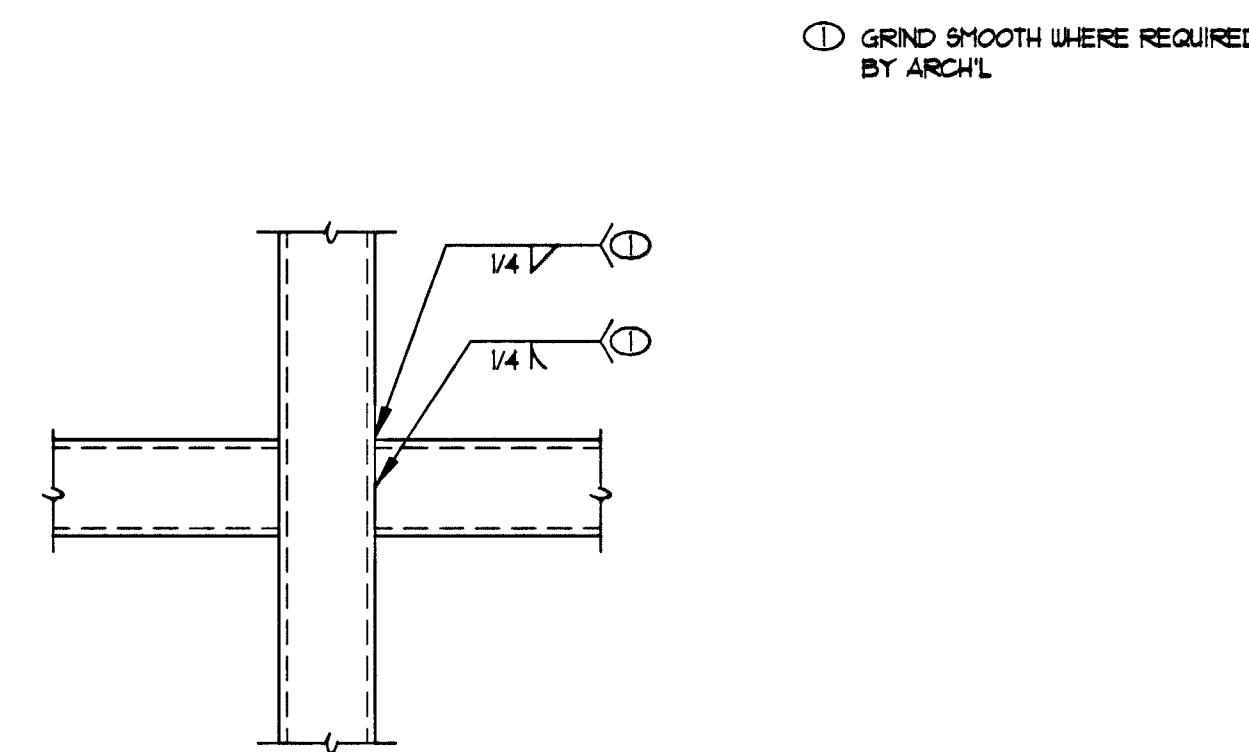
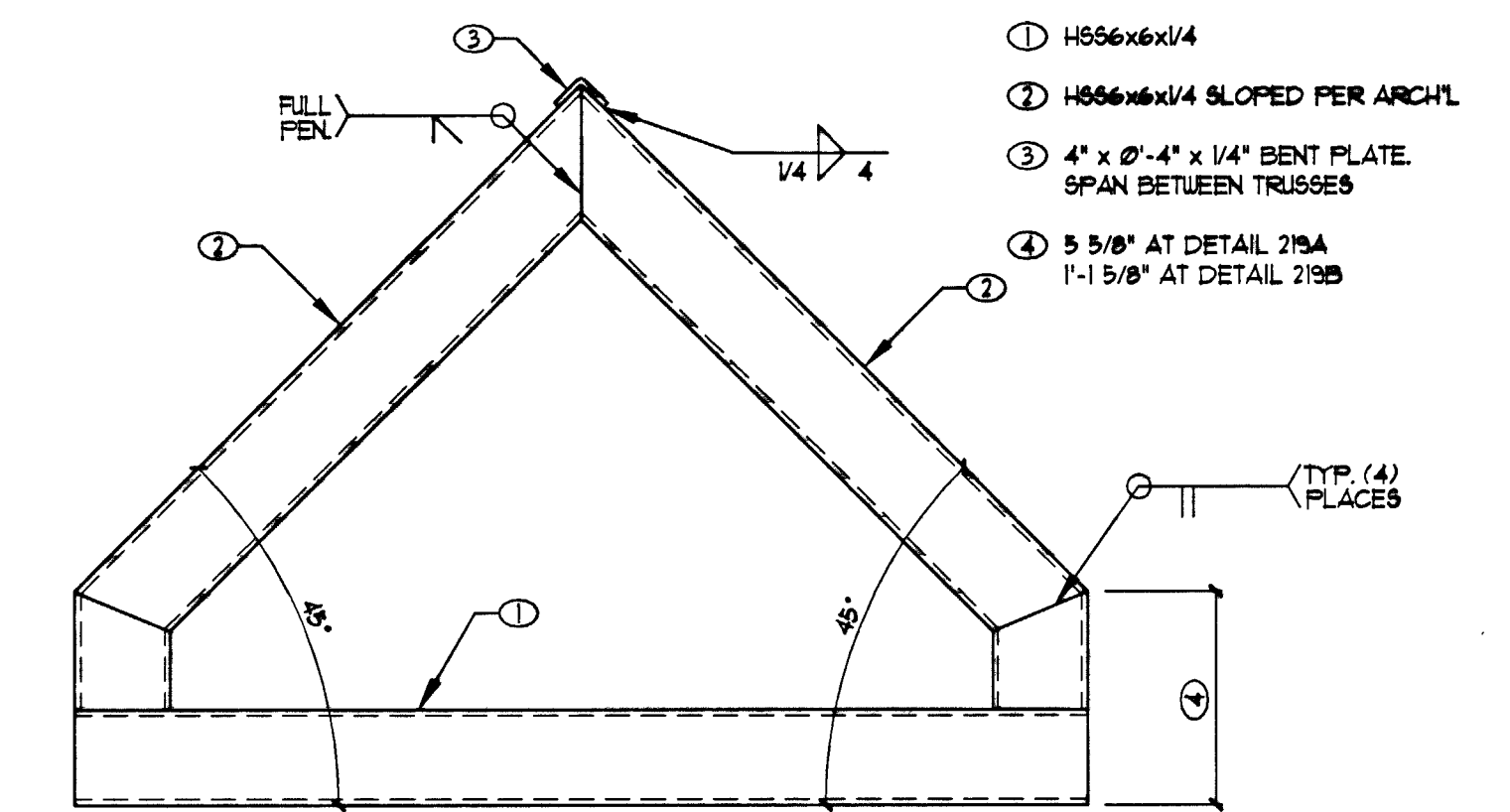


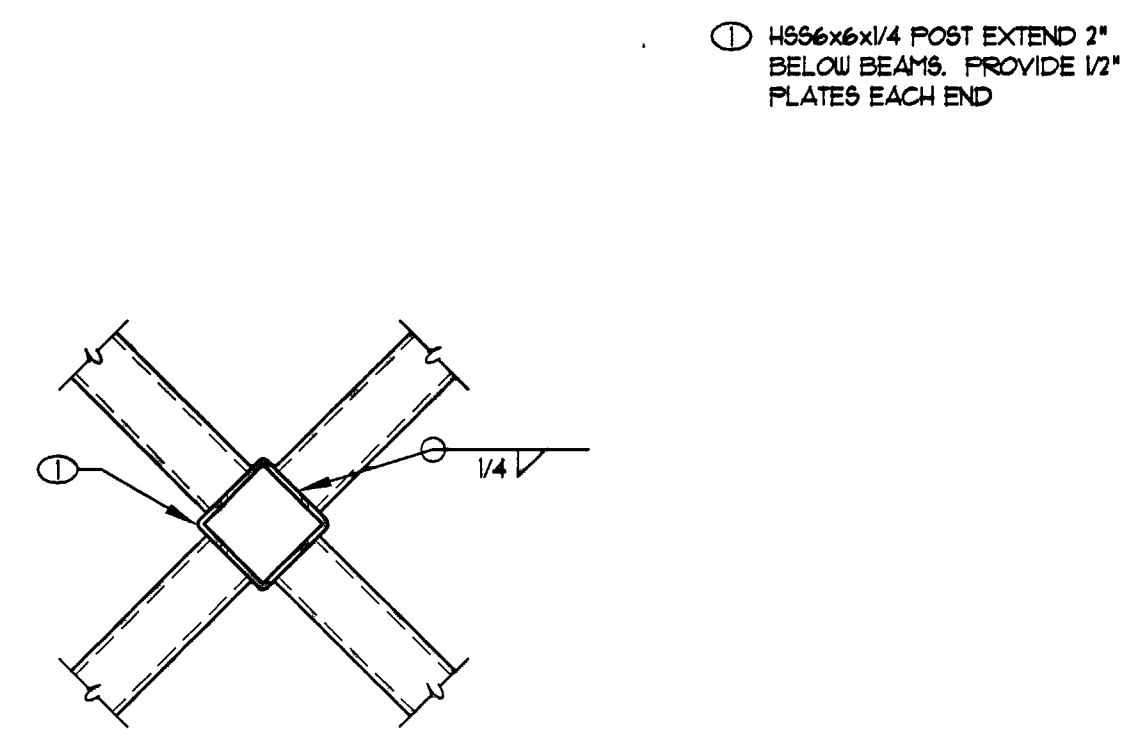
**228 SKYLIGHT FRAMING**  
228-20432 NO SCALE



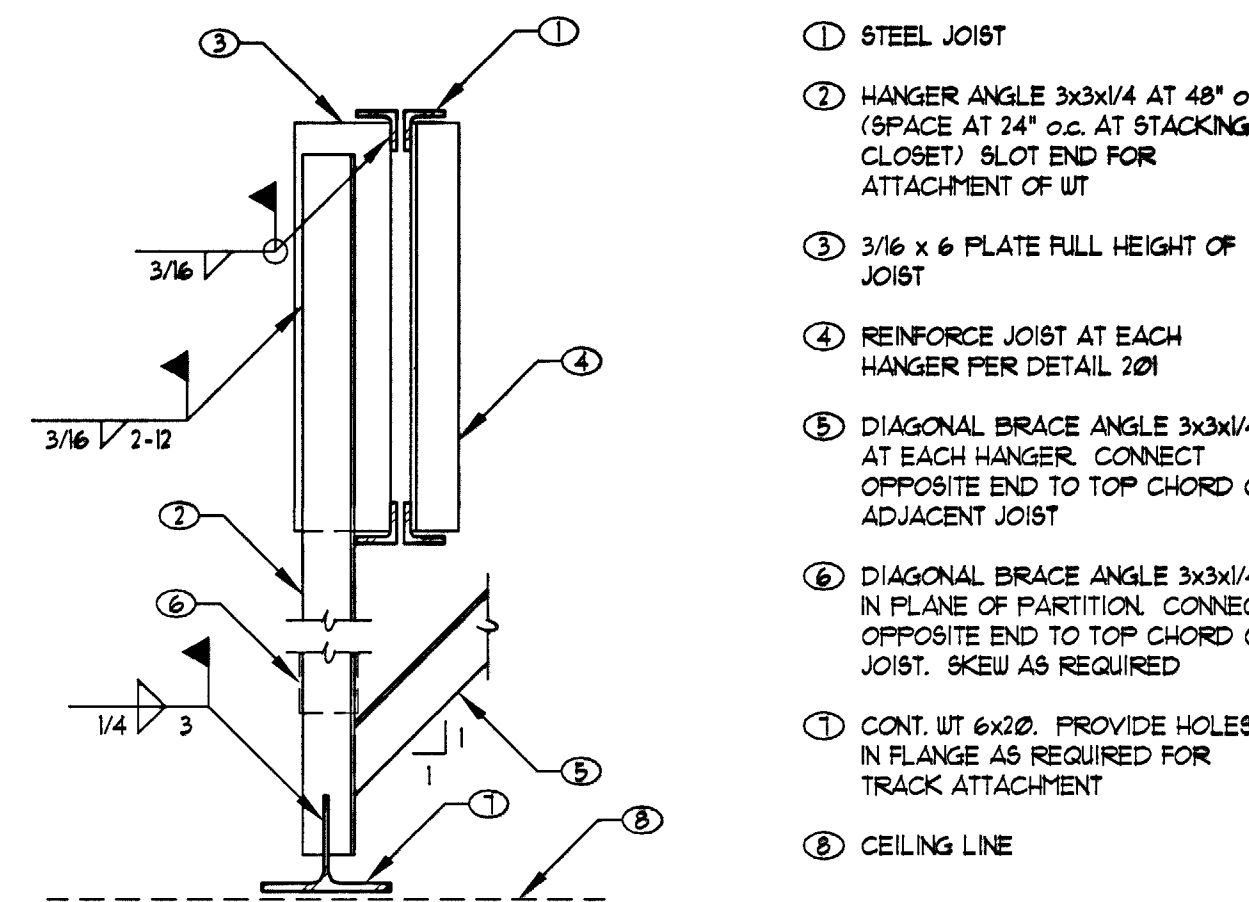
**223 TUBE BEAMS AT TUBE COLUMN**  
223-20431 NO SCALE



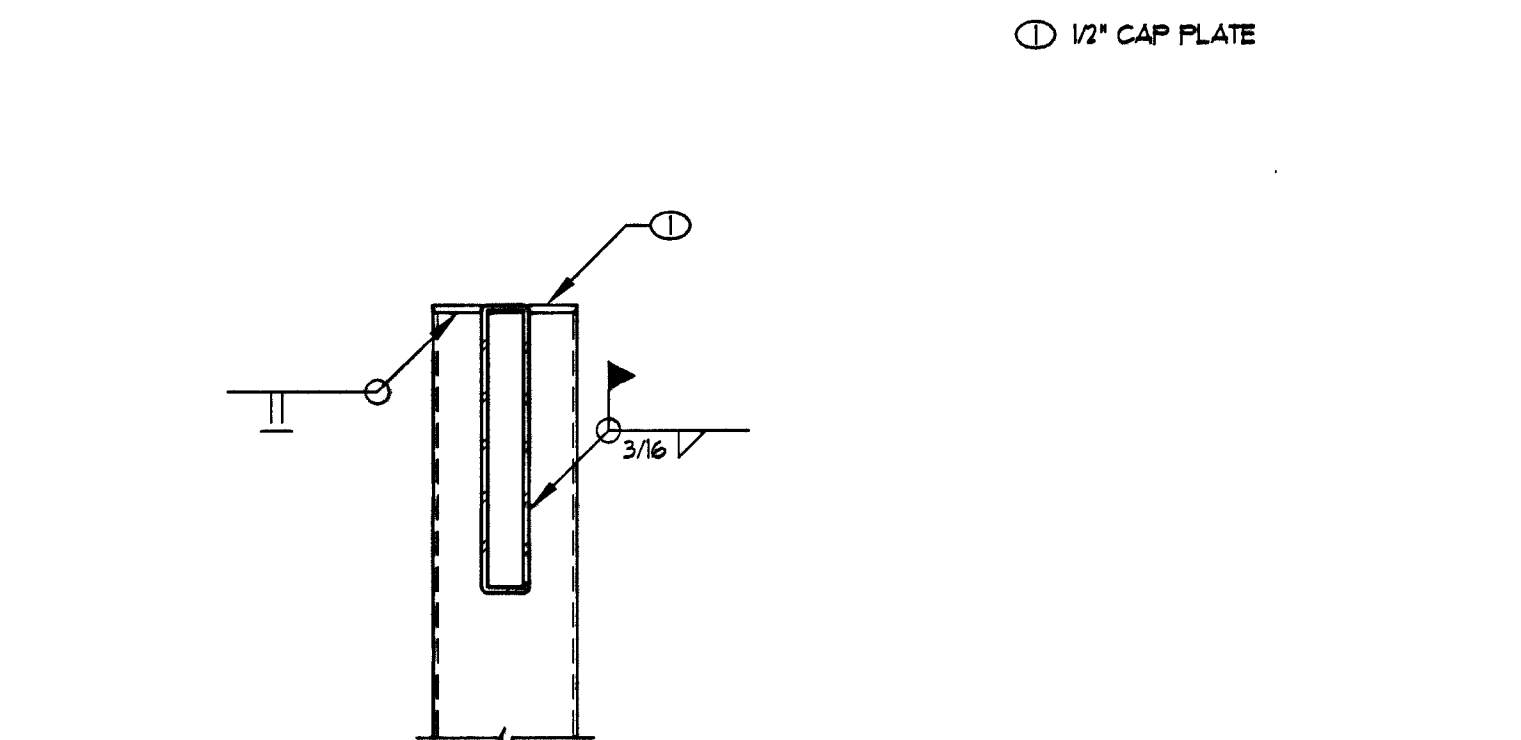
**219 SPECIAL ROOF TRUSS**  
219-20431 NO SCALE



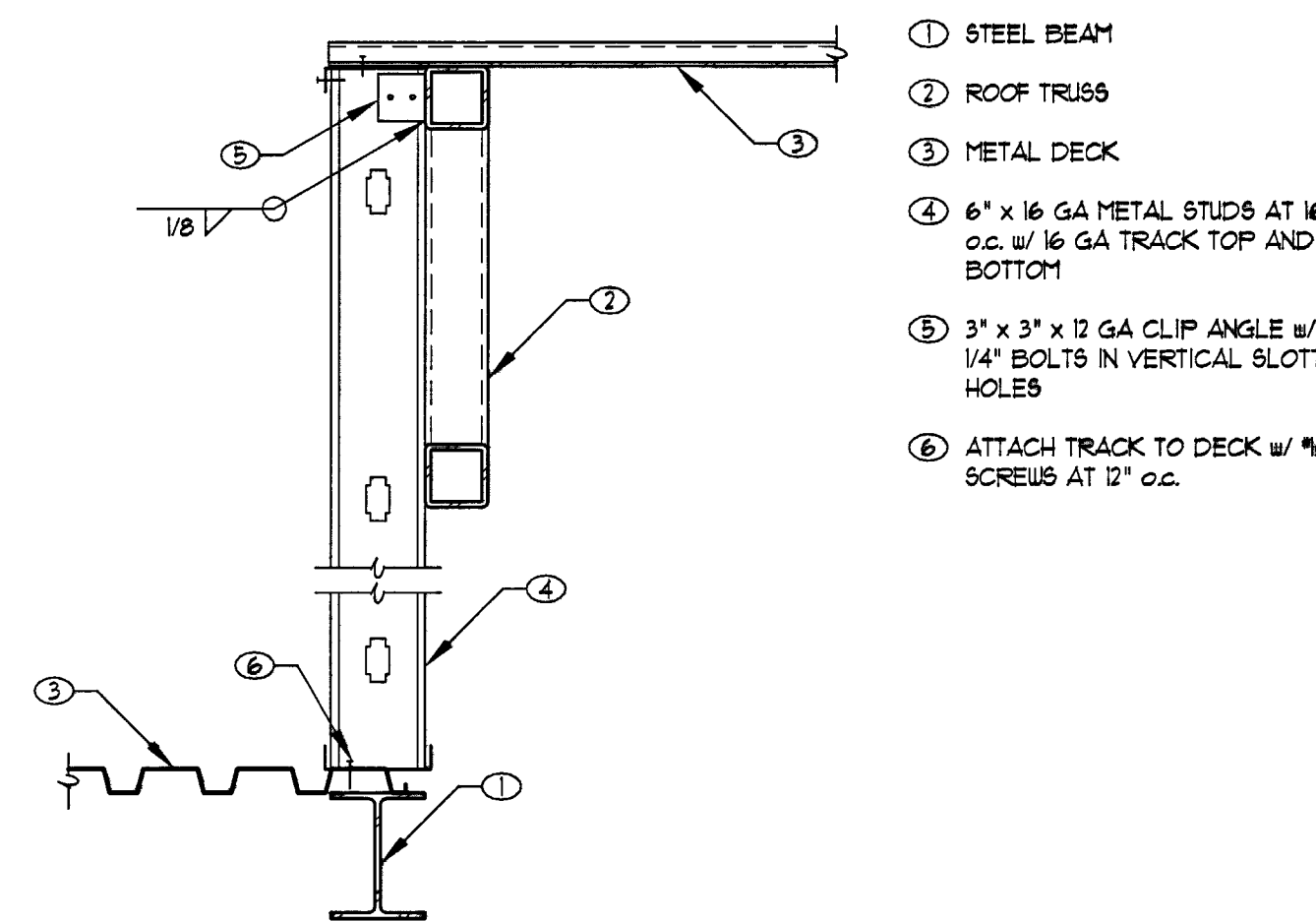
**229 BEAM FRAMING AT PEAK**  
229-20432 NO SCALE



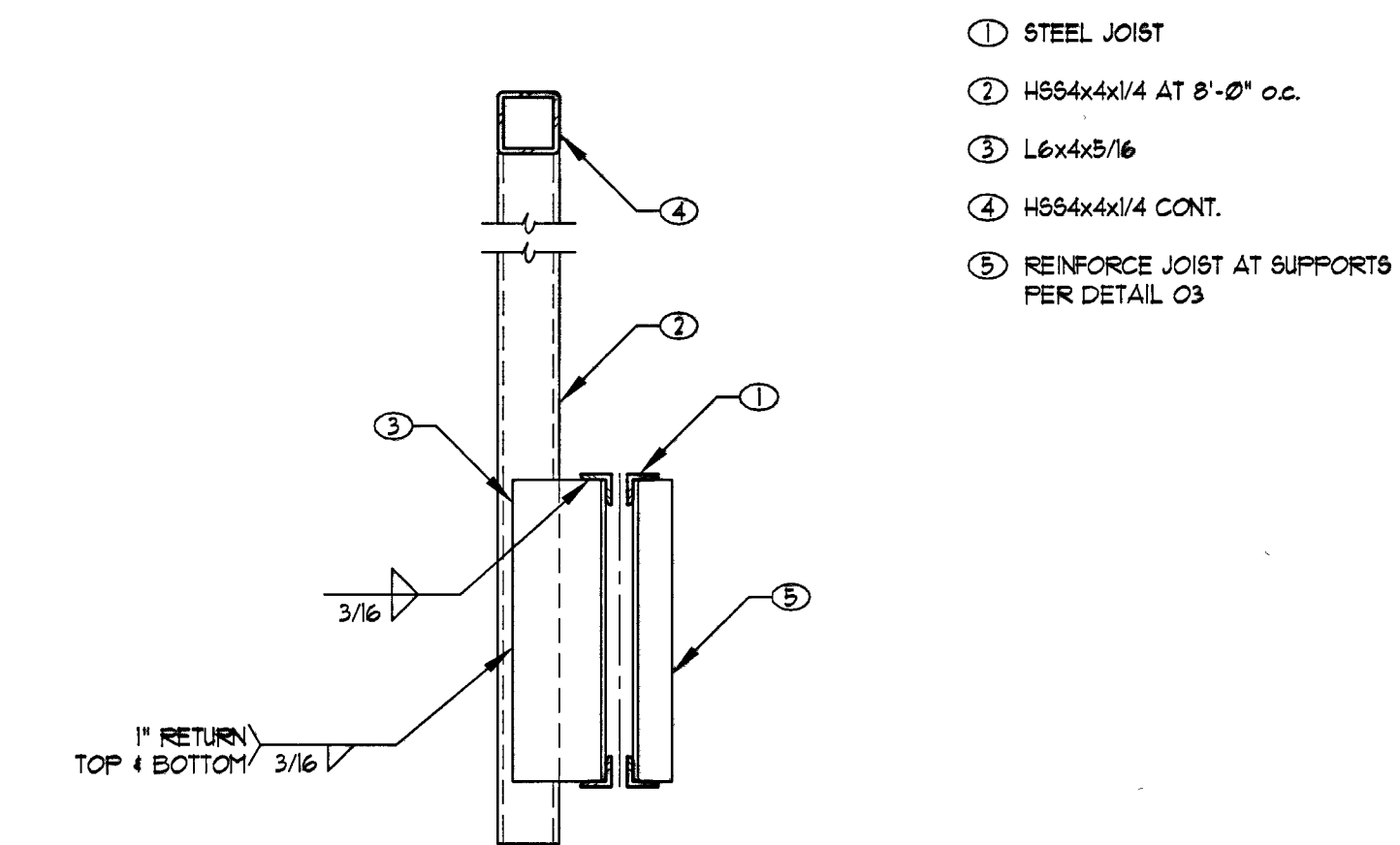
**224 FOLDING PARTITION SUPPORT**  
224-20432 NO SCALE



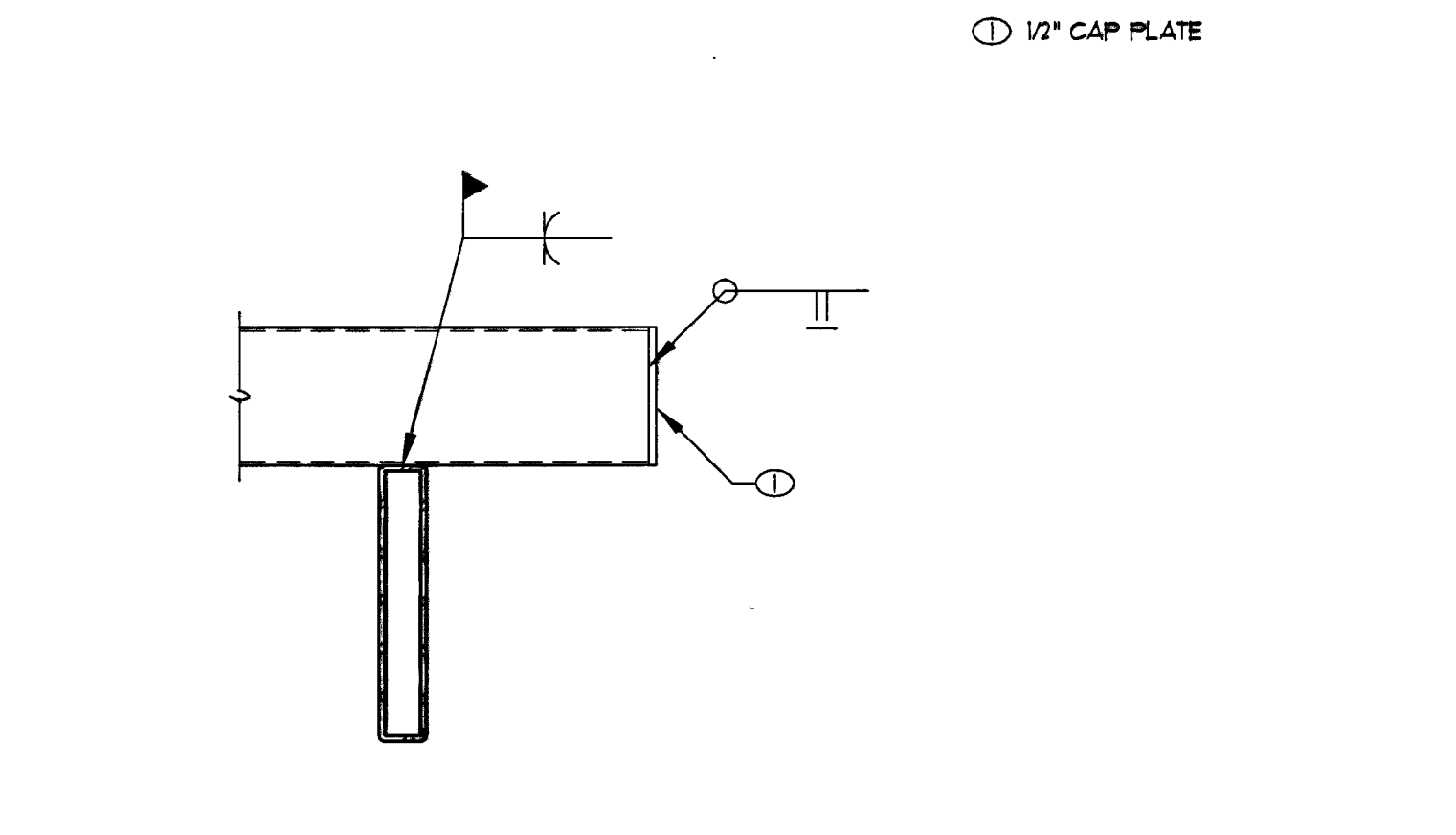
**220 BEAM TO POST CONNECTION AT TRELLIS**  
220-20432 NO SCALE



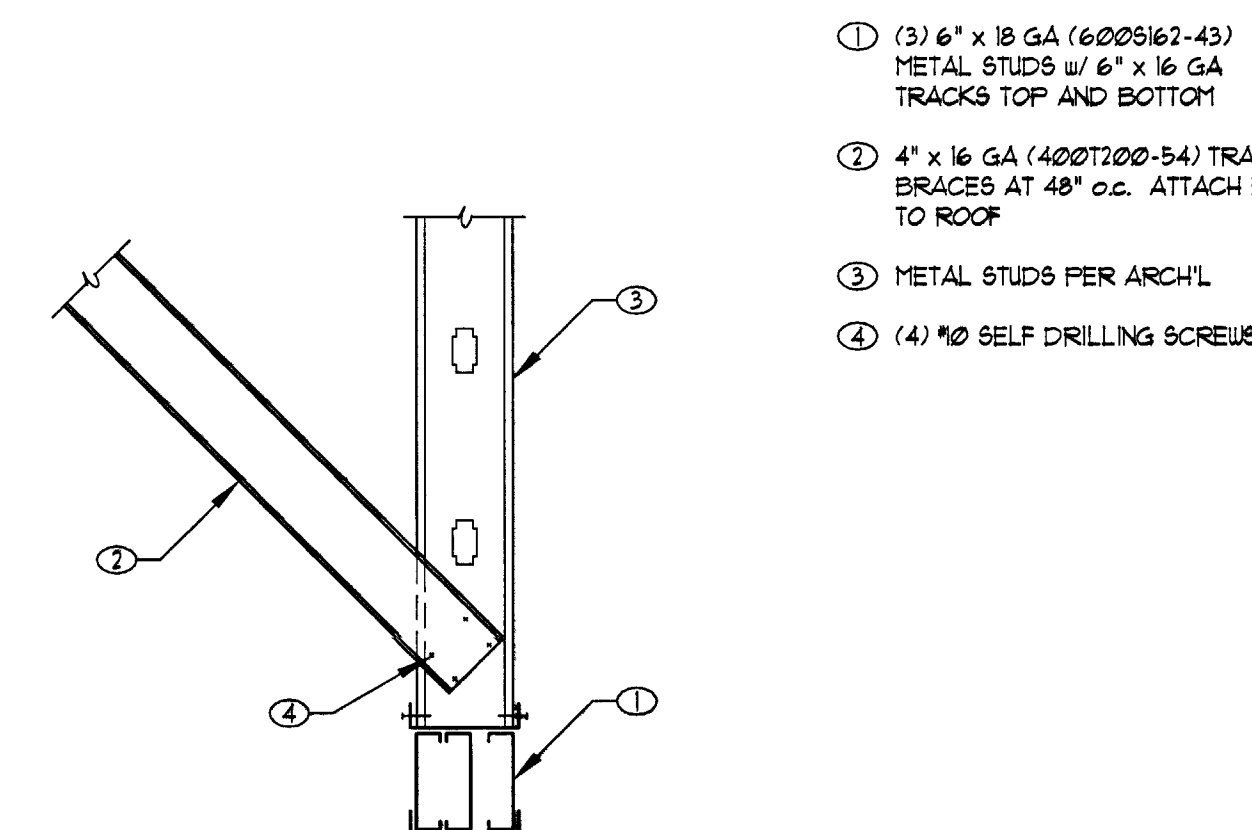
**230 END WALL FRAMING**  
230-20432 NO SCALE



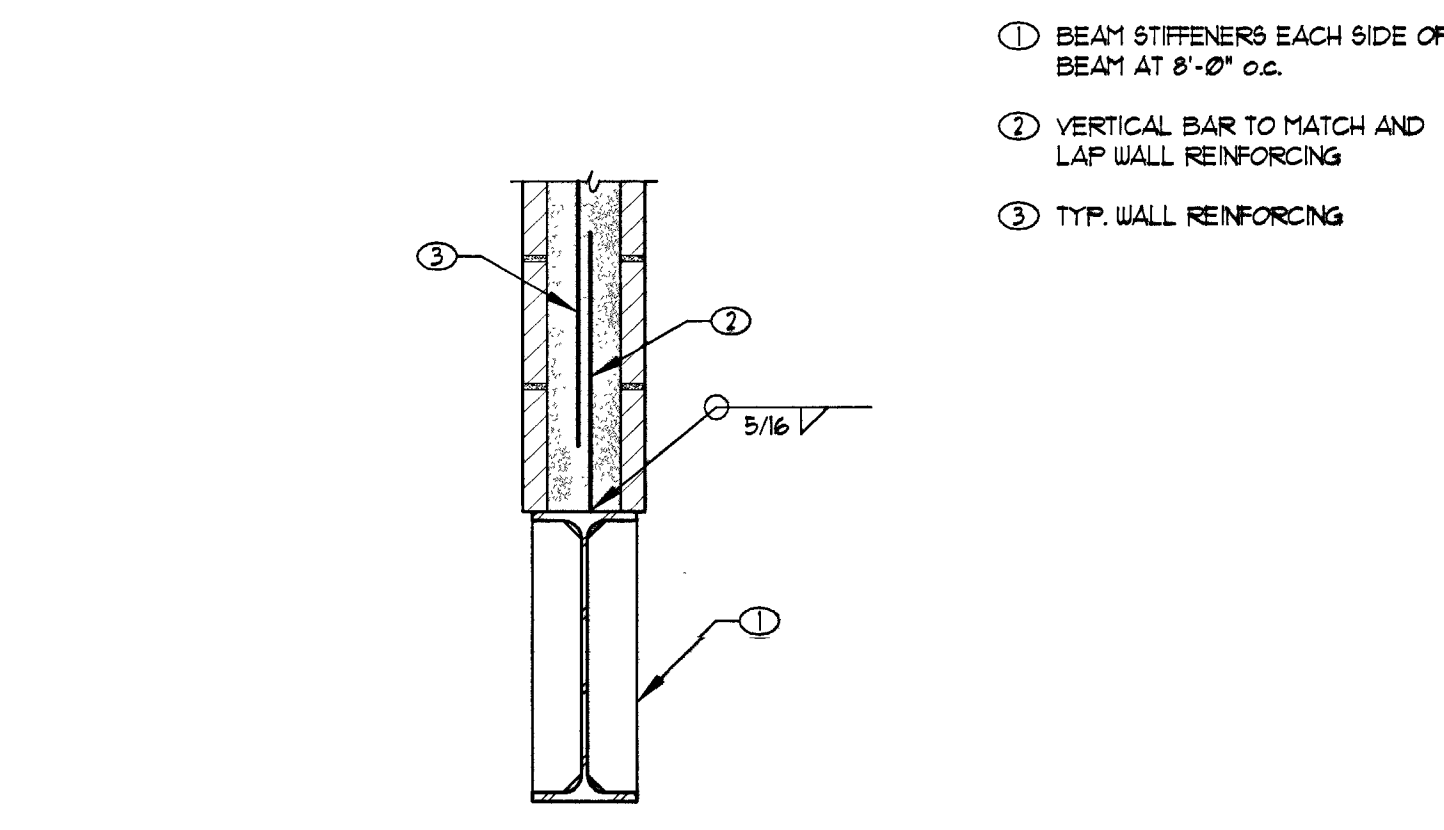
**225 PARAPET SUPPORT FRAMING**  
225-20432 NO SCALE



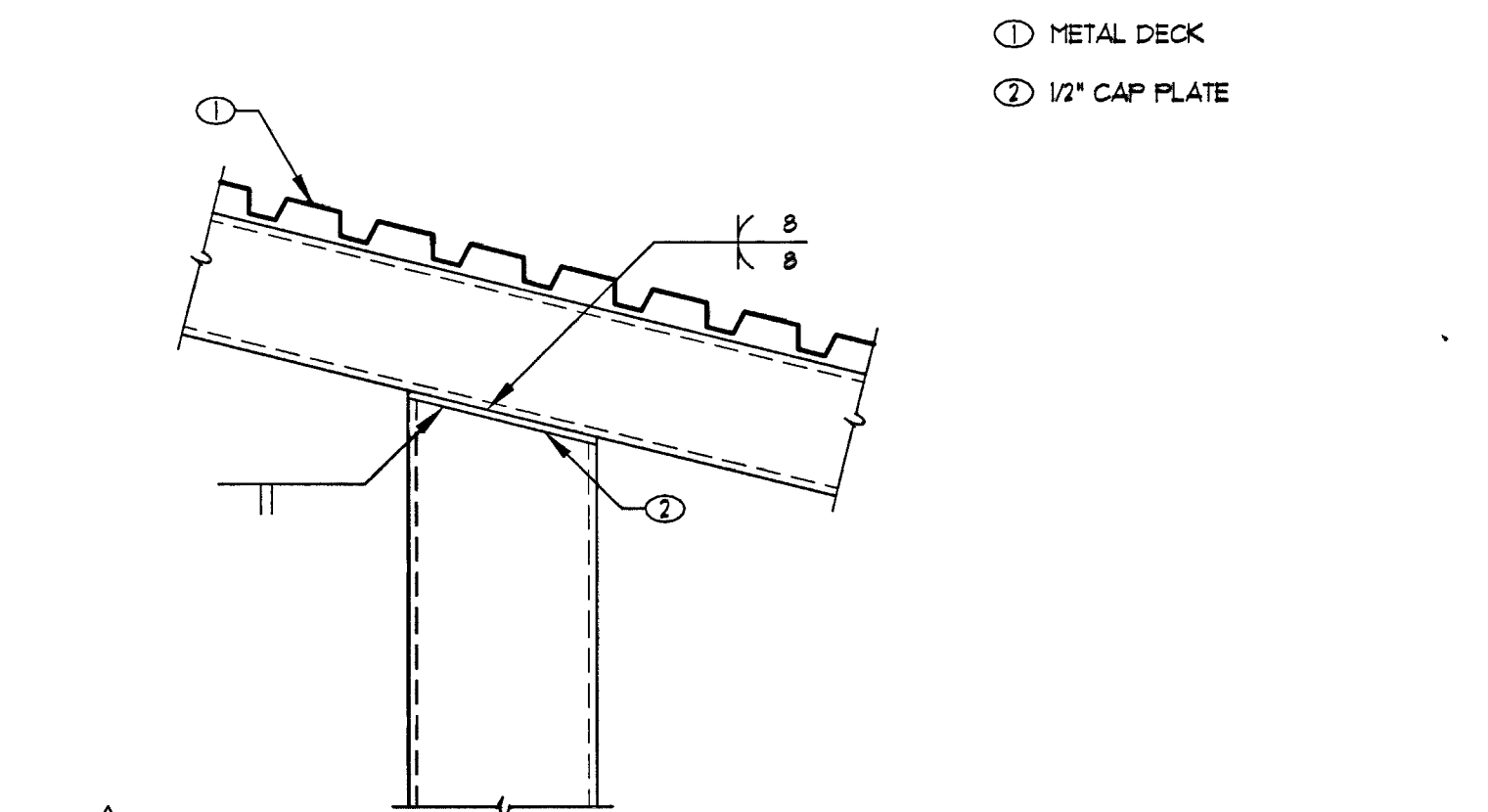
**221 JOIST TO BEAM CONNECTION AT TRELLIS**  
221-20432 NO SCALE



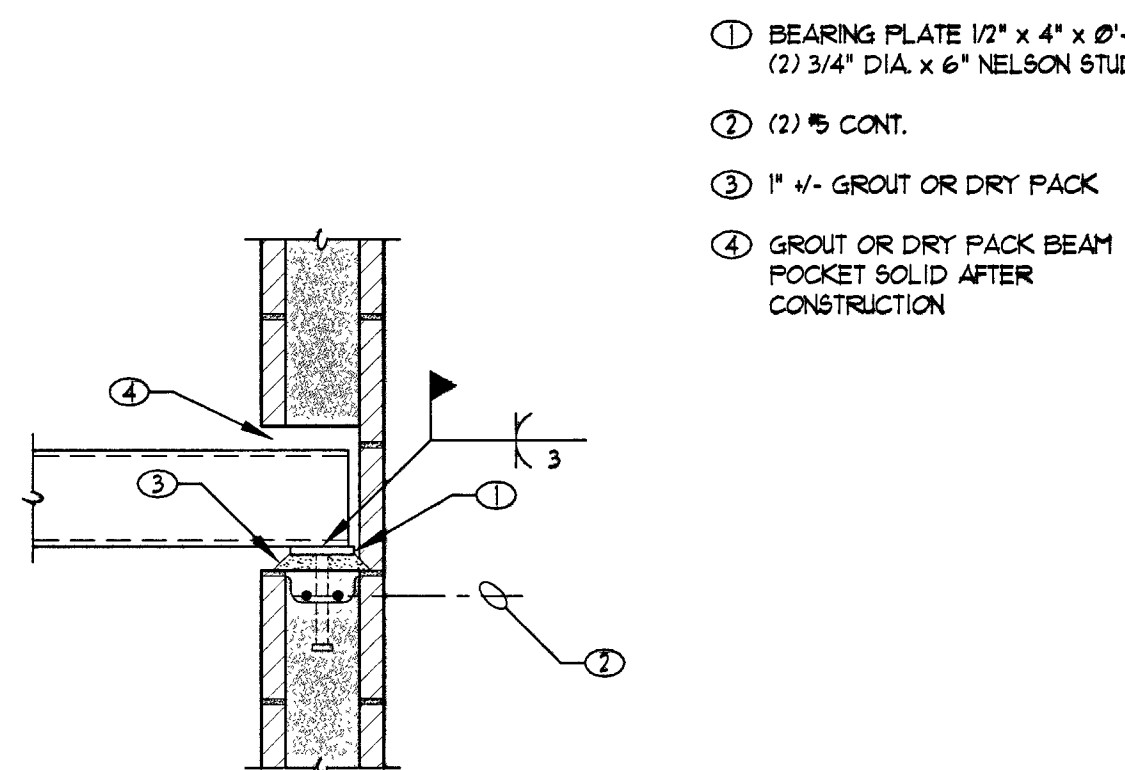
**231 METAL STUD LINTEL**  
231-20432 NO SCALE



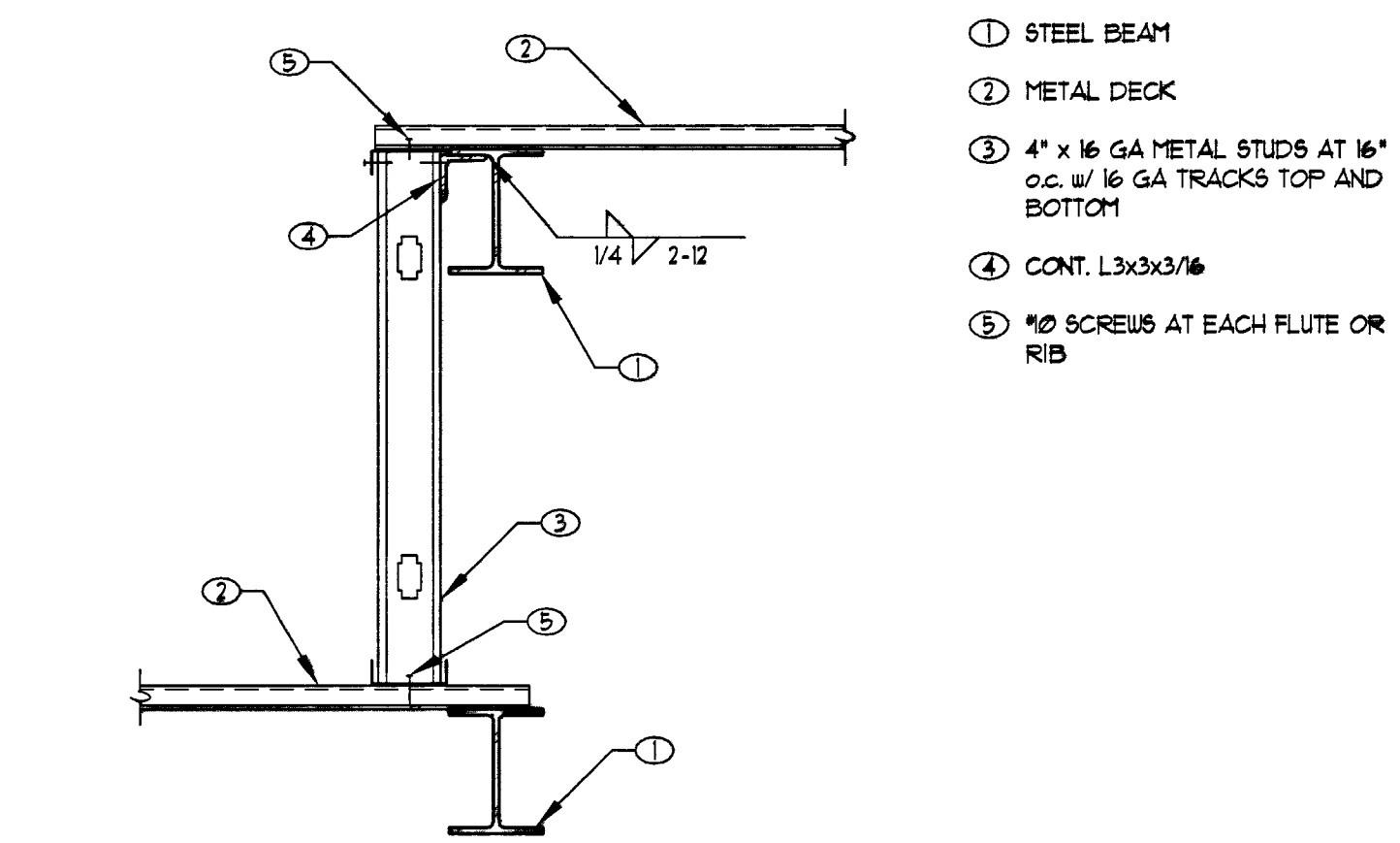
**226 MASONRY AT STEEL BEAM**  
226-20432 NO SCALE



**222 BEAM TO COLUMN CONNECTION**  
222-20431 NO SCALE



**232 TUBE AT MASONRY WALL**  
232-20432 NO SCALE



**227 STEP IN ROOF**  
227-20432 NO SCALE

**RECORD DRAWING**  
May 20, 2003

**WRIGHT**  
STRUCTURAL ENGINEERS, INC.  
7310 Smoke Ranch Road, Suite P, Las Vegas, NV 89138  
(702) 233-6666 Fax (702) 233-1144 www.wrighteng.com

**CITY OF LAS VEGAS**  
N22 VA DA

PROVISIONS

CONSULTANT

**JMA ARCHITECTURE STUDIOS**  
JMA ARCHITECTURE STUDIOS  
11111 WINDY HILLS BLVD, SUITE 100, LAS VEGAS, NV 89135

**East Las Vegas Community Center**  
Eastern and Stewart

OWNER: CITY OF LAS VEGAS  
DEPARTMENT OF PUBLIC WORKS  
ARCHITECTURAL SERVICES

400 EAST STEWART AVENUE  
LAS VEGAS, NEVADA 89101  
PHONE: (702) 229-6936  
FAX: (702) 385-3332  
TELEX: (702) 386-8110

DATE: August 2, 2001  
SCALE:  
PROJECT NO: 01.15301.22  
DRAWING NO: 521-288  
FRAMING DETAILS

**S4.2**