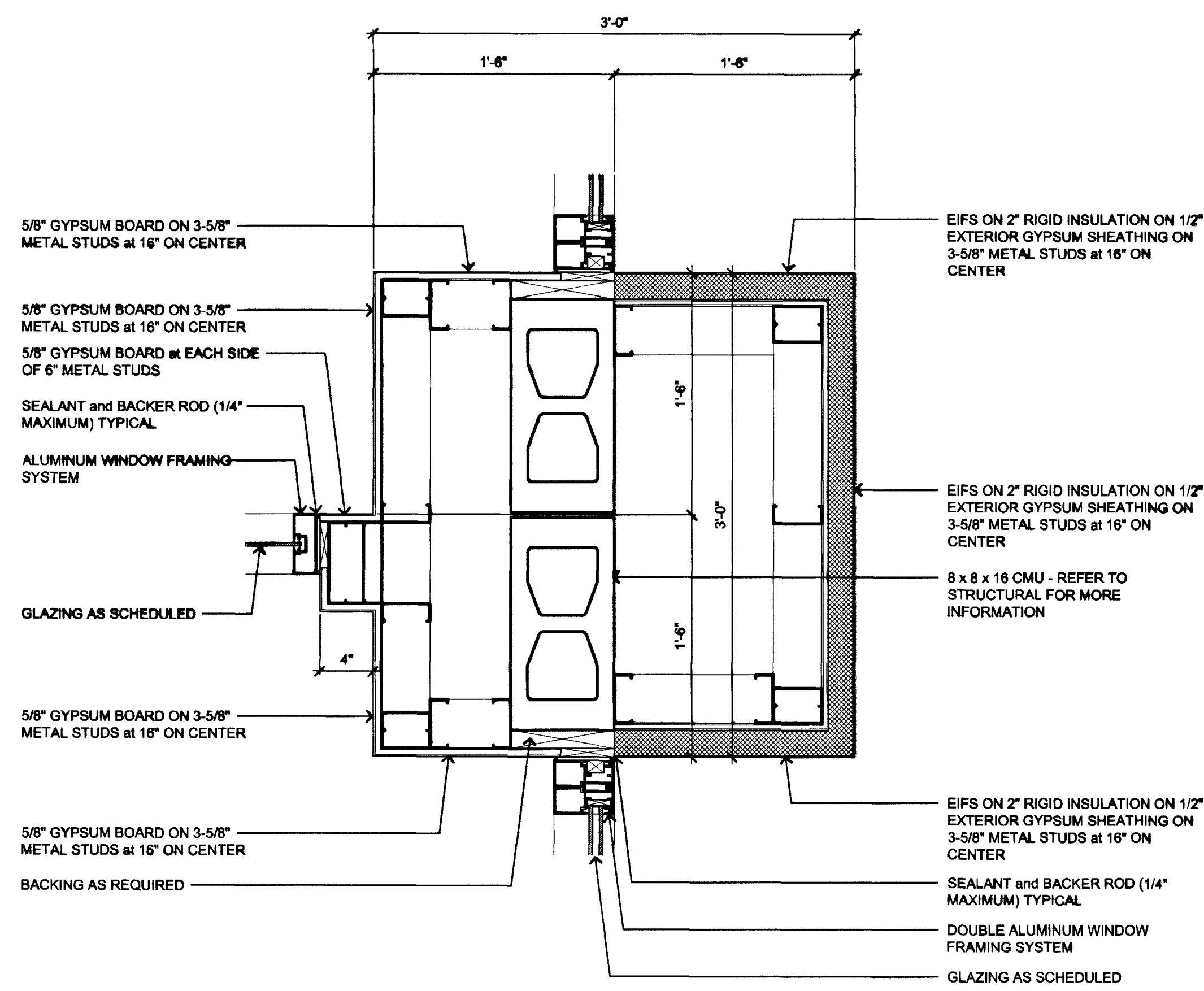
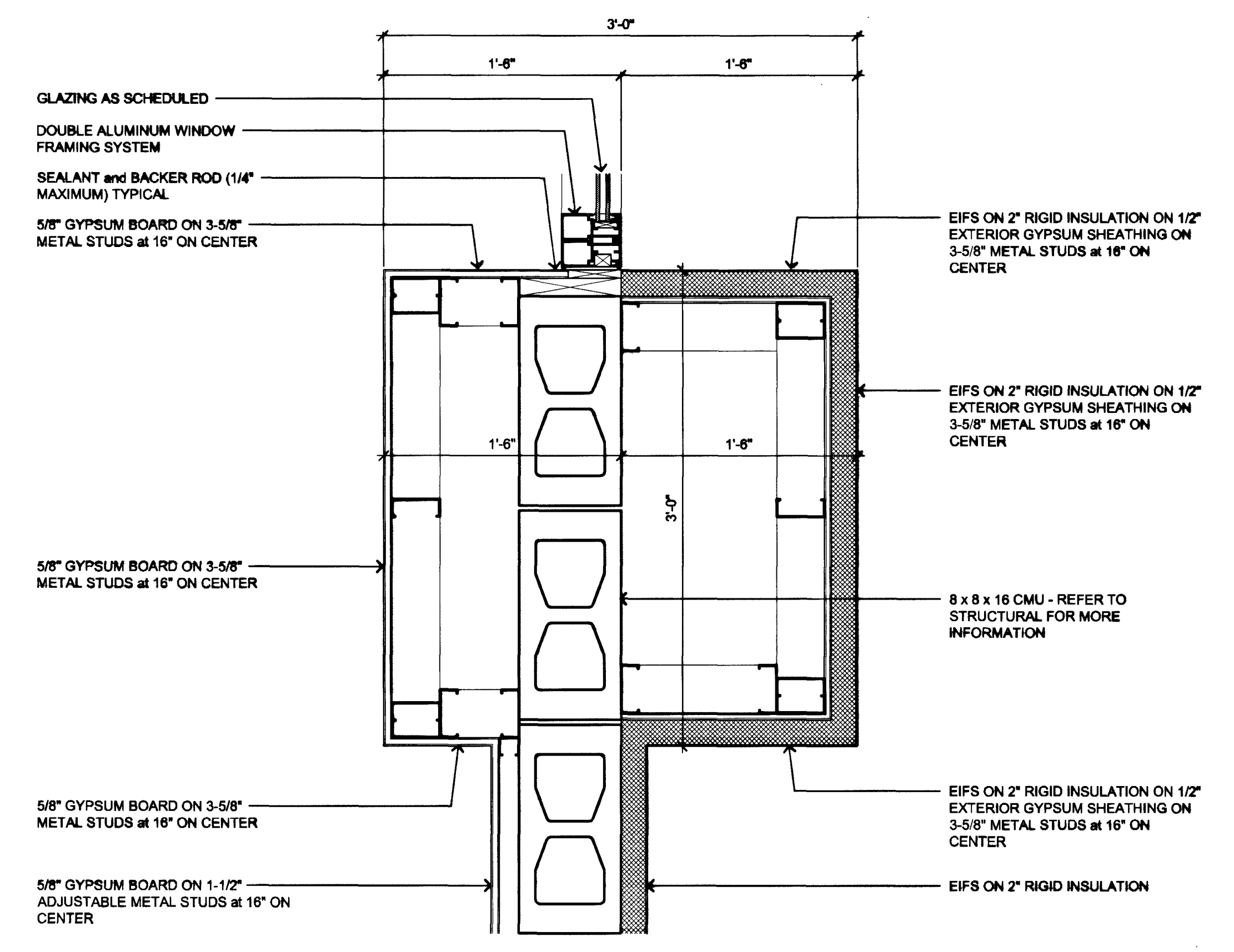


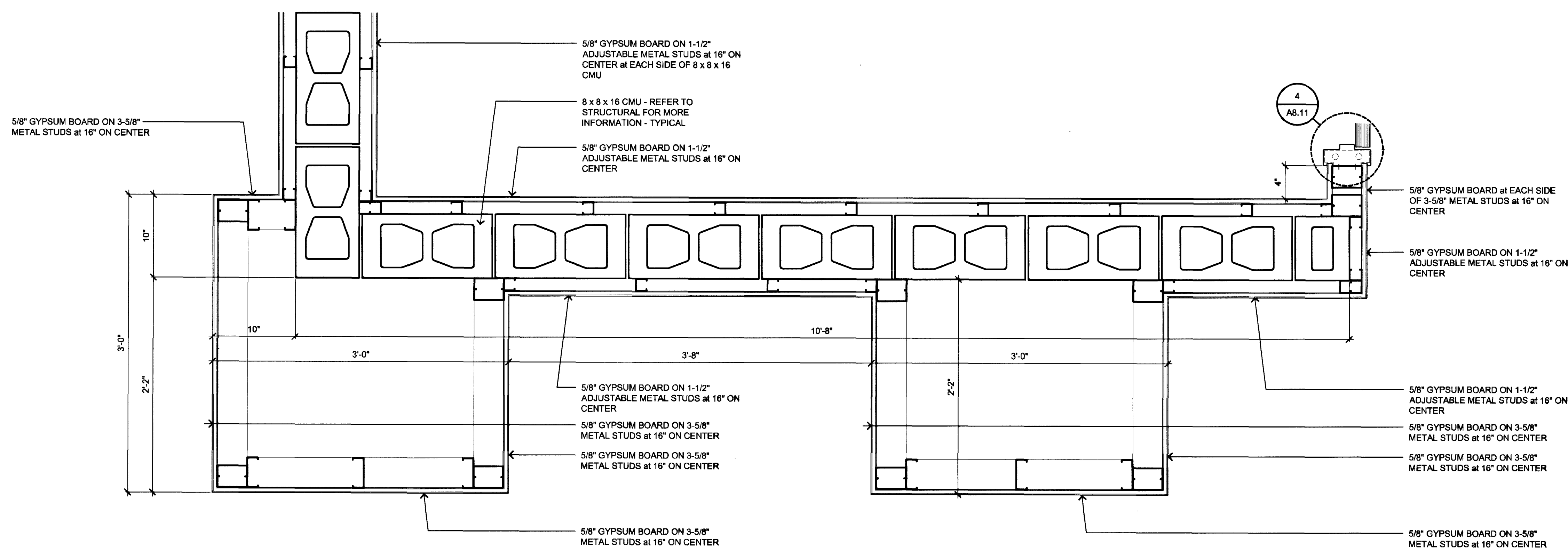
1 WALL DETAIL
1 1/2"=1'-0"



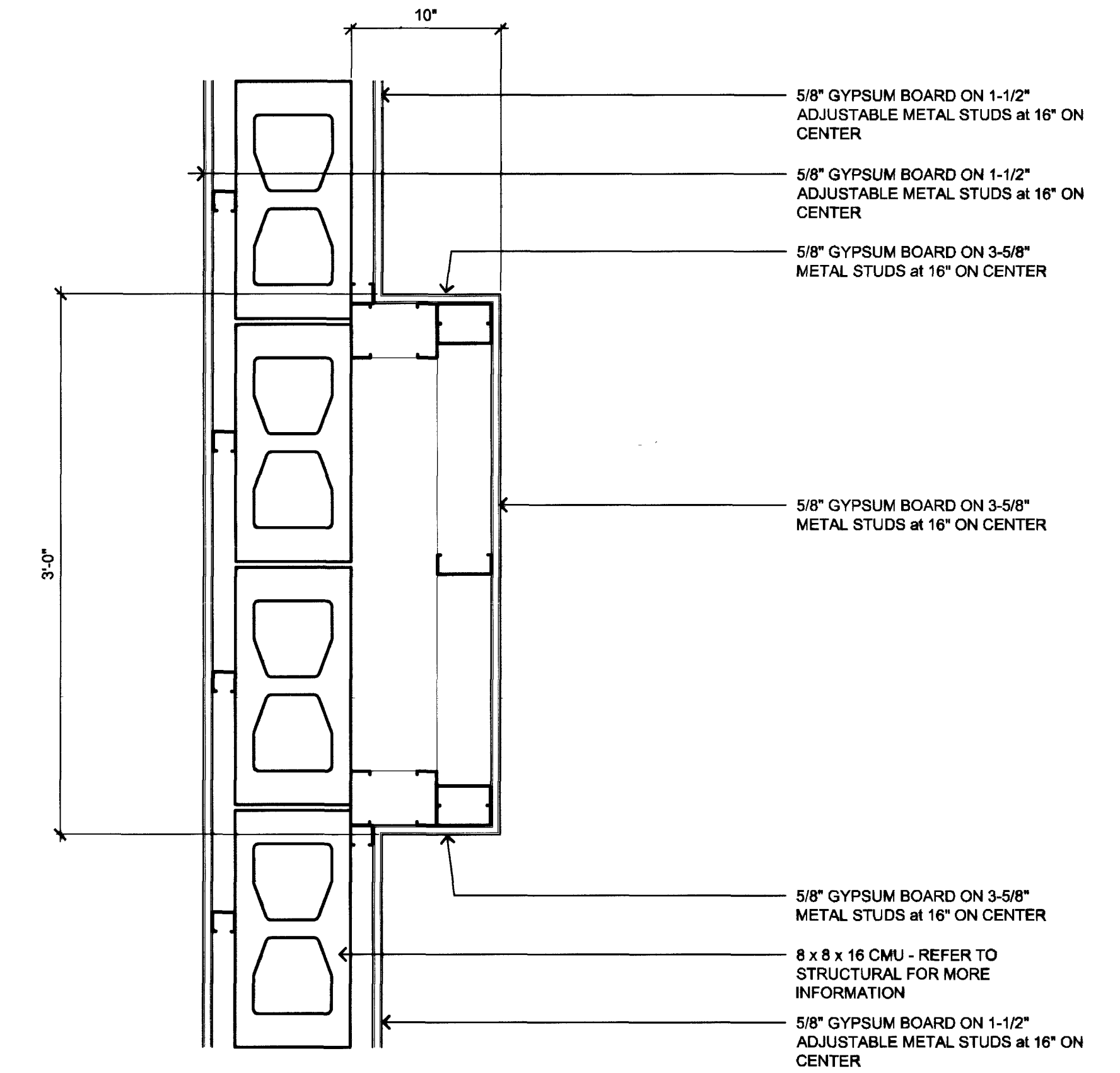
2 WALL DETAIL
1 1/2"=1'-0"



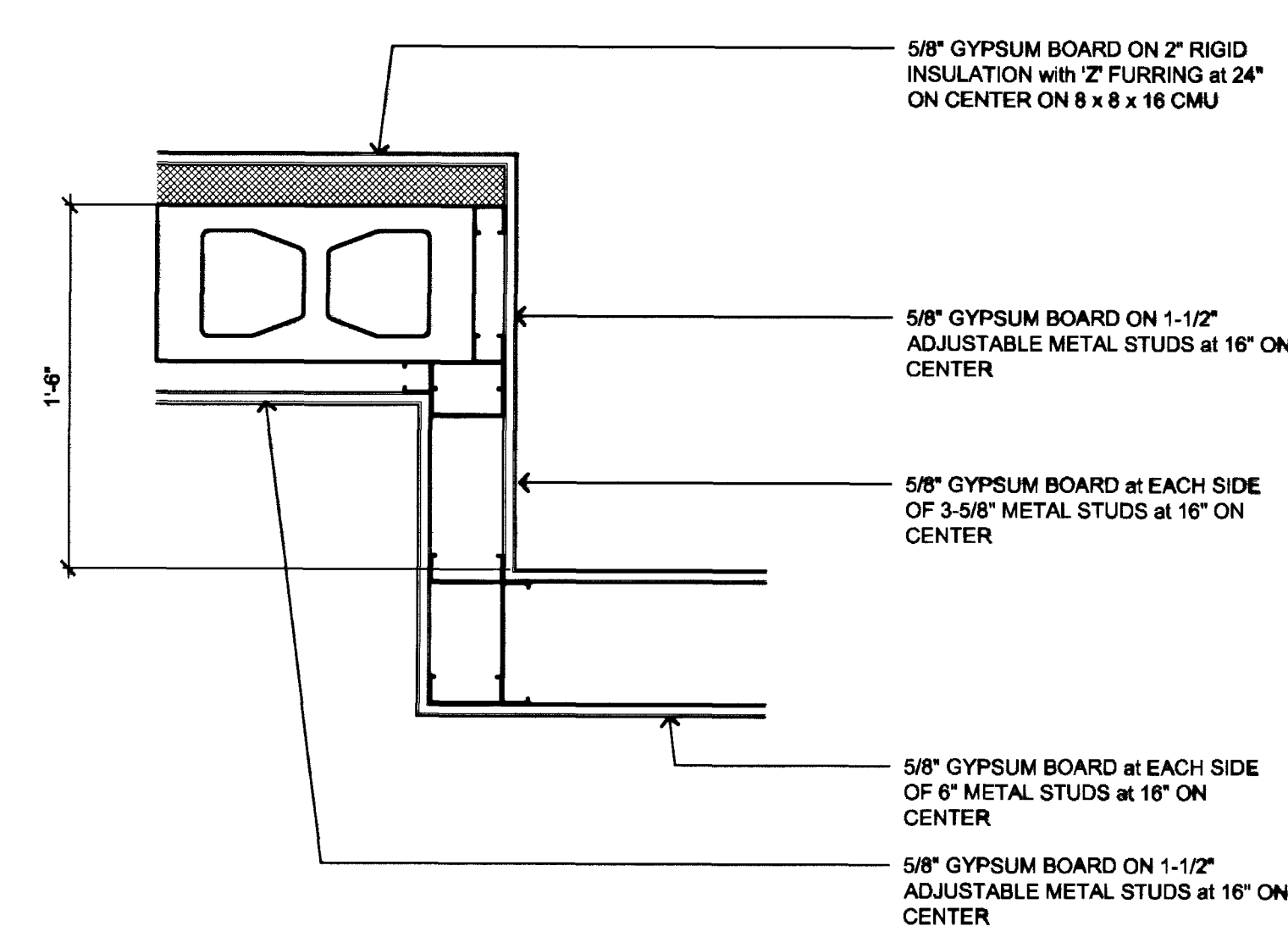
3 WALL DETAIL
1 1/2"=1'-0"



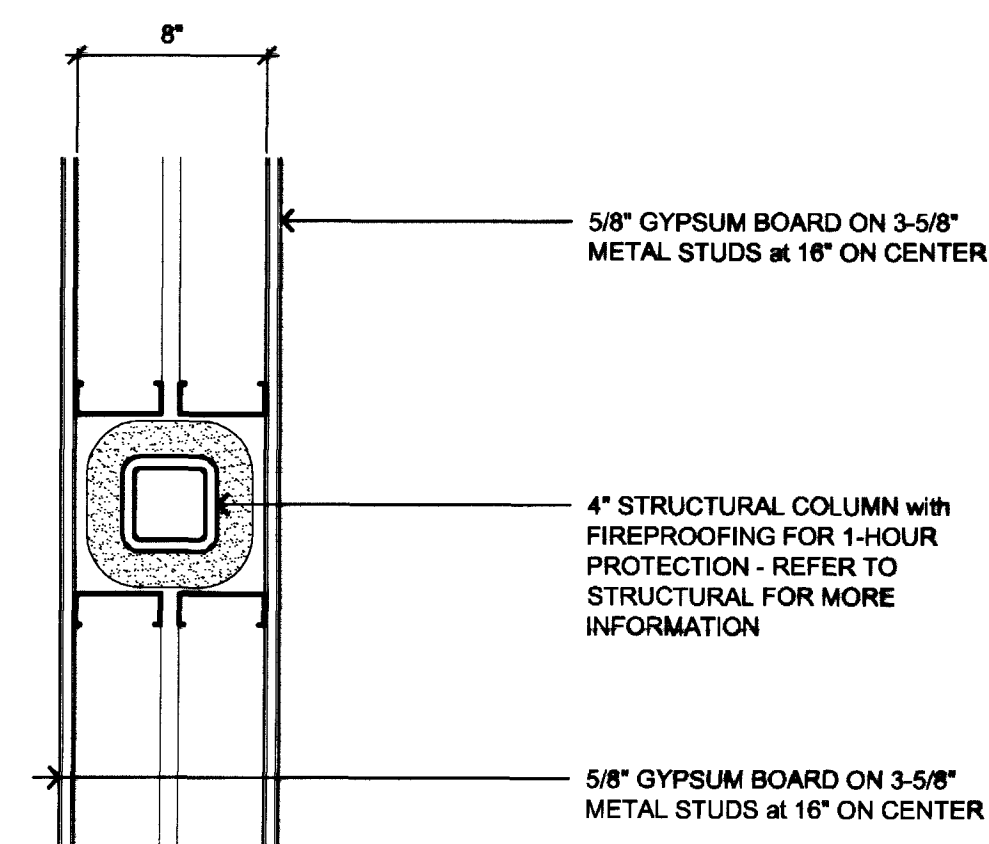
4 WALL DETAIL
1 1/2"=1'-0"



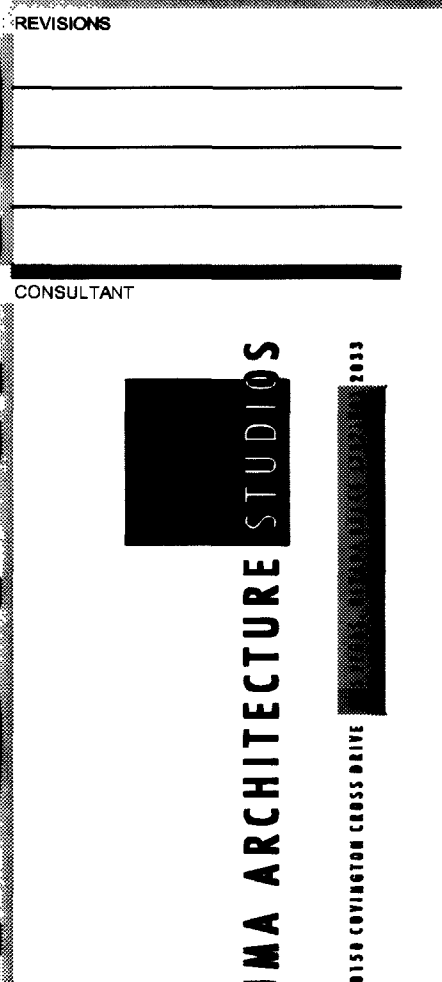
5 WALL DETAIL
1 1/2"=1'-0"



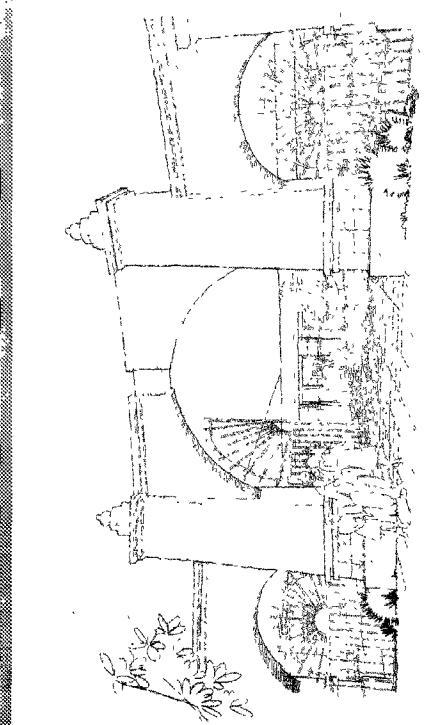
6 WALL DETAIL
1 1/2"=1'-0"



7 WALL DETAIL
1 1/2"=1'-0"



DEPARTMENT OF PUBLIC WORKS
East Las Vegas Community Center
Eastern and Stewart
Construction Documents



STAMP
RECORD DRAWING
The record bearing date is May 12, 2001.
has been prepared in strict accordance with the provisions of the Nevada Public Works Act.
I, the undersigned, being a duly licensed and qualified professional engineer, hereby certify that this drawing is a true and correct copy of the original as submitted to me for record.

OWNER: CITY OF LAS VEGAS
DEPARTMENT OF PUBLIC WORKS
ARCHITECTURAL SERVICES
400 EAST STEWART AVENUE
LAS VEGAS, NEVADA 89101
PHONE: (702) 228-8333
FAC: (702) 382-3232
TDD: (702) 388-8108

DRAWN: M. Phillips
DATE: August 2, 2001
SCALE: 1/8"=1'-0"
PROJECT NO: 01-15301.22
JOB NO: 521-288

A8.24