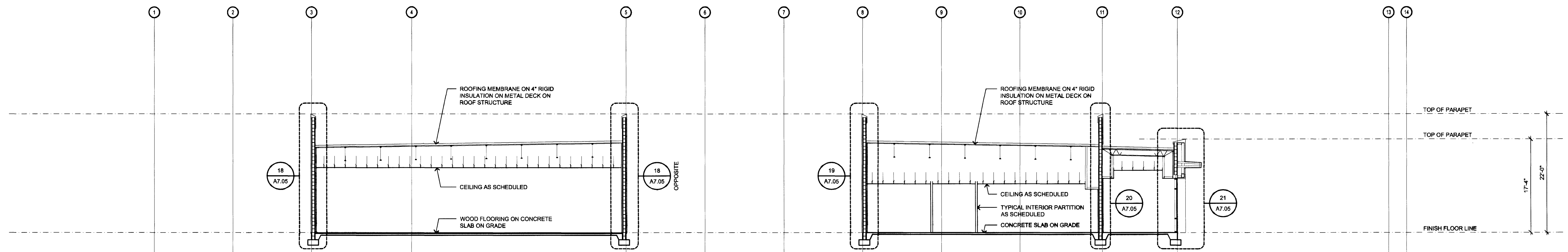
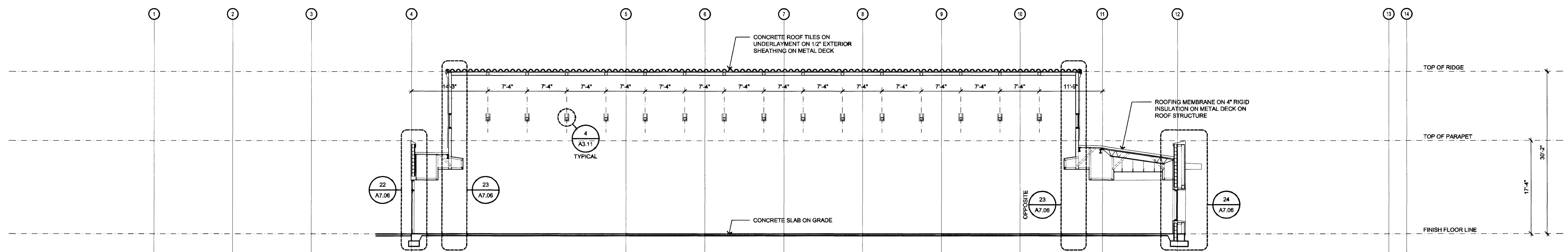


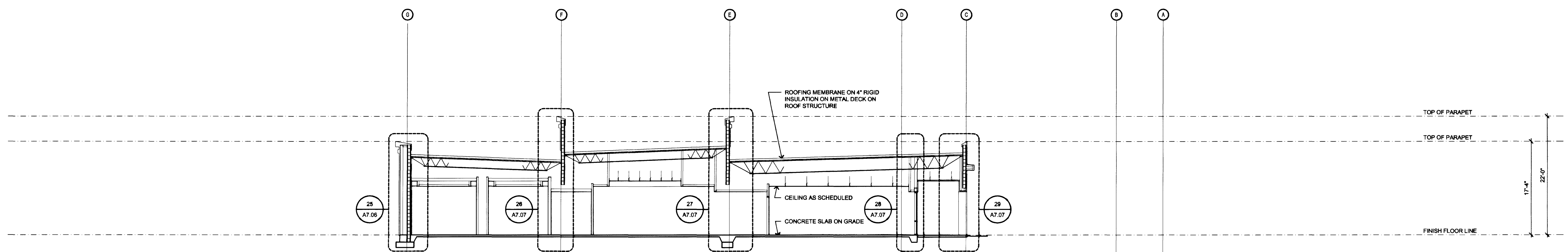
**E** BUILDING SECTION  
1/8"=1'-0"



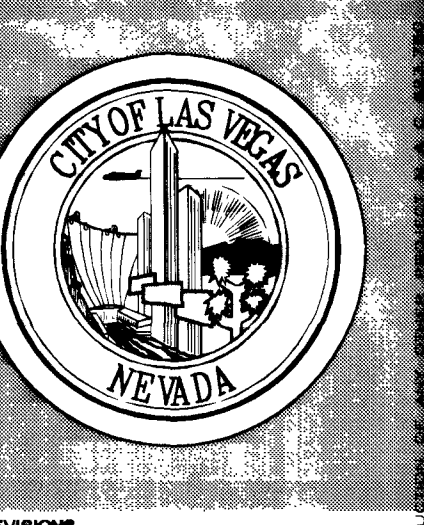
**F** BUILDING SECTION  
1/8"=1'-0"



**G** BUILDING SECTION  
1/8"=1'-0"

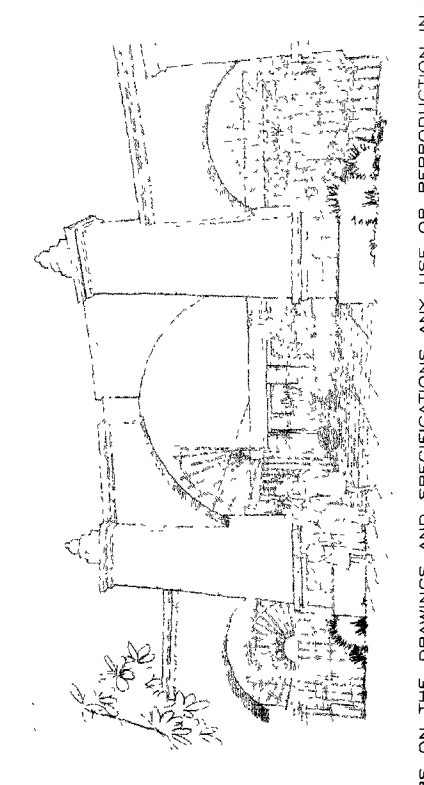


**H** BUILDING SECTION  
1/8"=1'-0"



REVISIONS  
CONSULTANT  
**JWA ARCHITECTURE** STUDIOS  
ILLUSTRATION LIBRARY

**DEPARTMENT OF PUBLIC WORKS**  
**East Las Vegas Community Center**  
Eastern and Stewart  
Construction Documents



**STAMP**  
**RECORD DRAWING**  
This record drawing, dated May 12, 2009, has been prepared, in part, based upon information furnished by others.  
While this information is believed to be reliable, JWA Architecture Studio, cannot assume its accuracy, and shall not be responsible for the accuracy of the record drawing or for any errors or omissions which may have been incorporated into this record.  
Those relying on this record drawing are advised to obtain independent verification of its accuracy before relying on it for any purpose.  
**OWNER:** CITY OF LAS VEGAS  
**DEPARTMENT OF PUBLIC WORKS**  
**ARCHITECTURAL SERVICES**  
400 EAST STEWART AVENUE  
LAS VEGAS, NEVADA 89101  
PHONE: (702) 228-4238  
FAX: (702) 228-4232  
TDD: (702) 388-9108  
**DESIGNER:** M. Philips  
**DATE:** August 2, 2001  
**SCALE:**  
**NO:** 01.15301.22  
**CONTRACT NO:** 521-268  
**REV NO:**  
**REV NO:**

**A6.02**