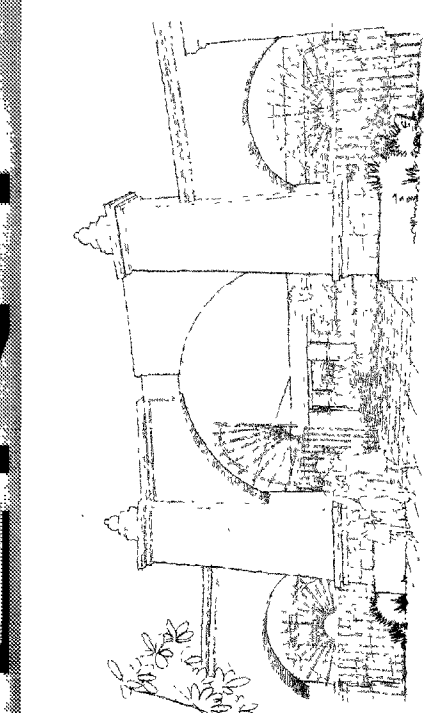


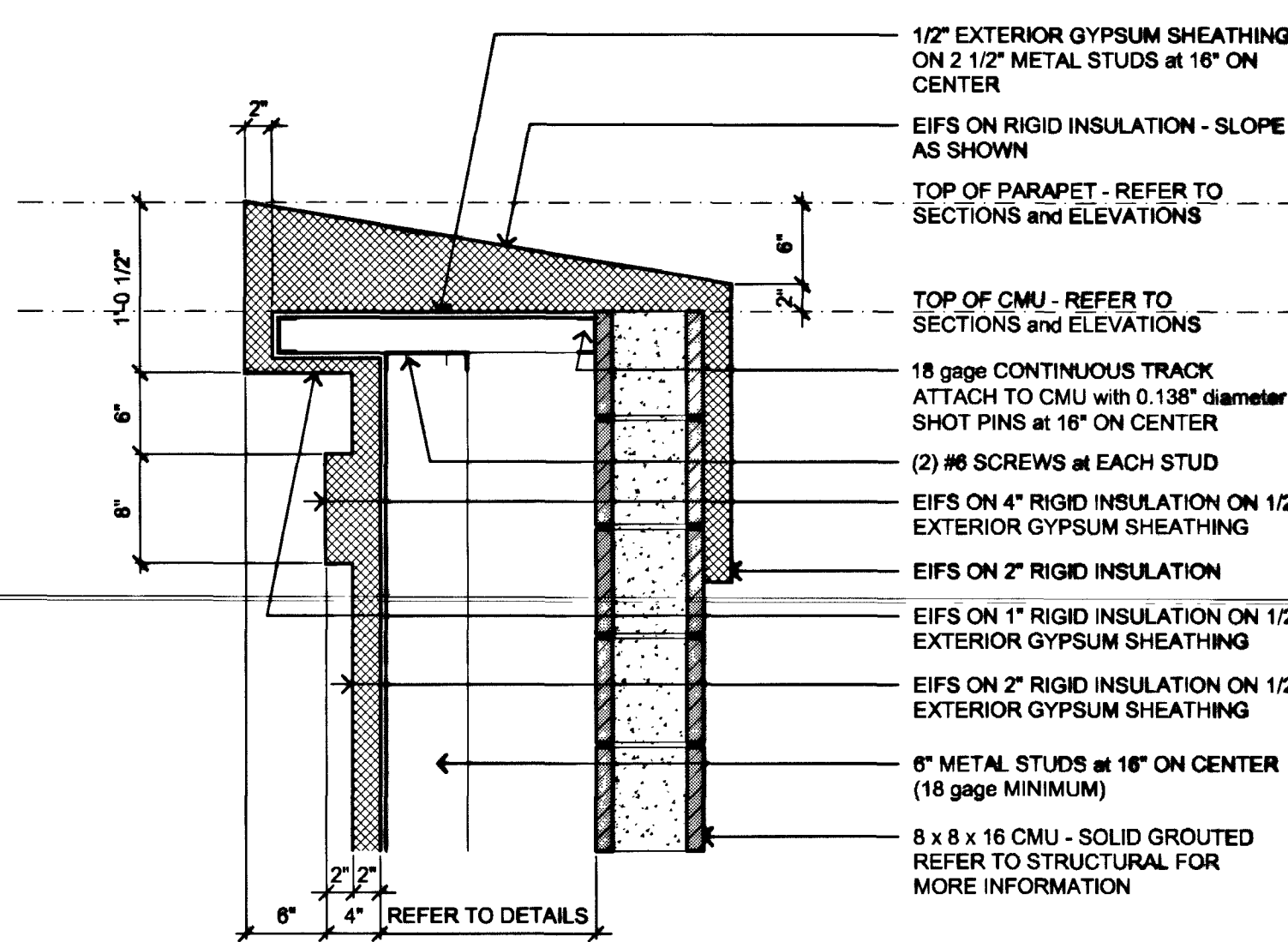
East Las Vegas Community Center
Eastern and Stewart
Construction Documents



OWNER: CITY OF LAS VEGAS
DEPARTMENT OF PUBLIC WORKS
ARCHITECTURAL SERVICES

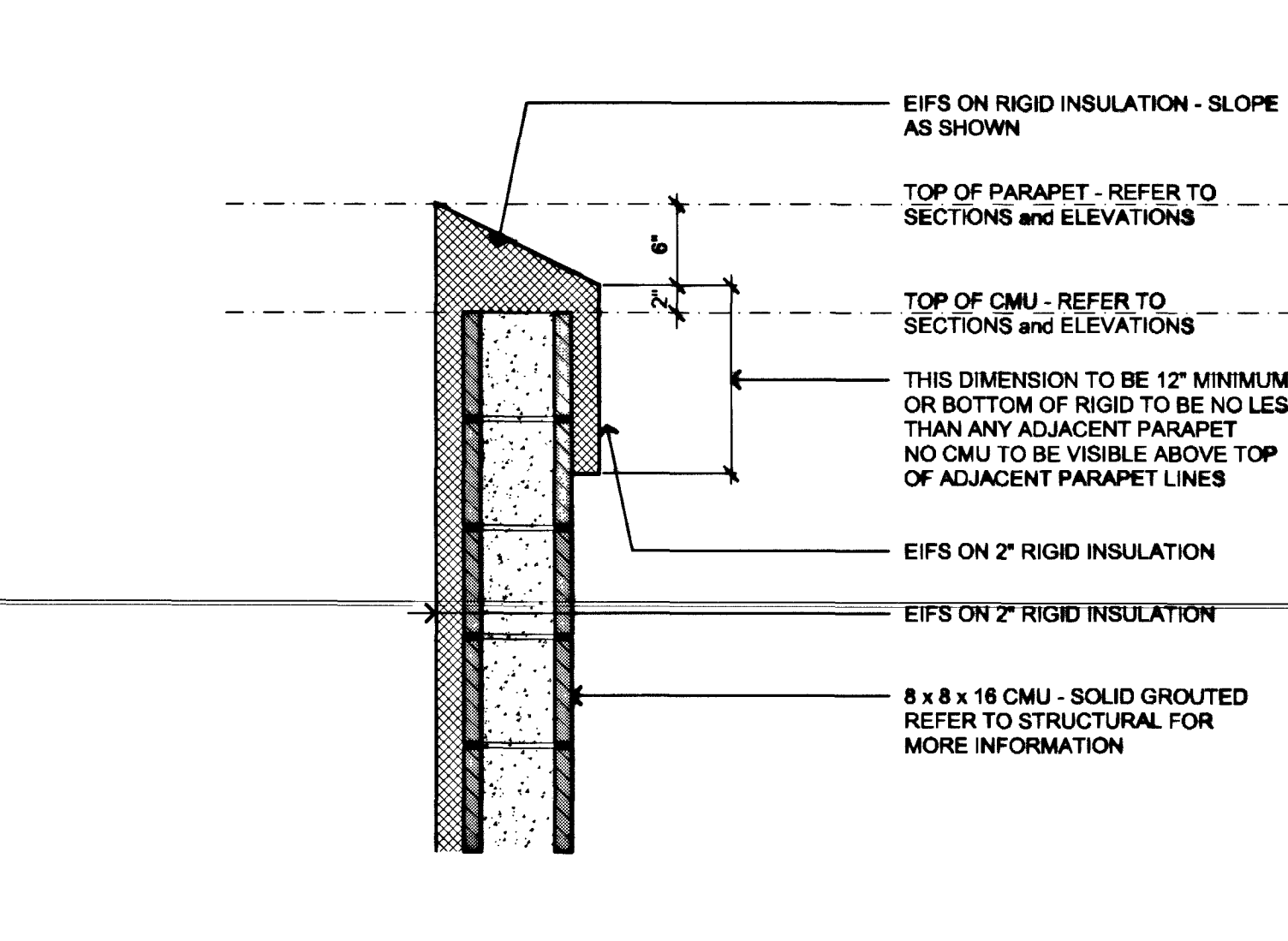
DATE: August 2, 2001
SCALE:
SHEET NO: 01.15301.22
DRAWING NO: 521-266

A4.13

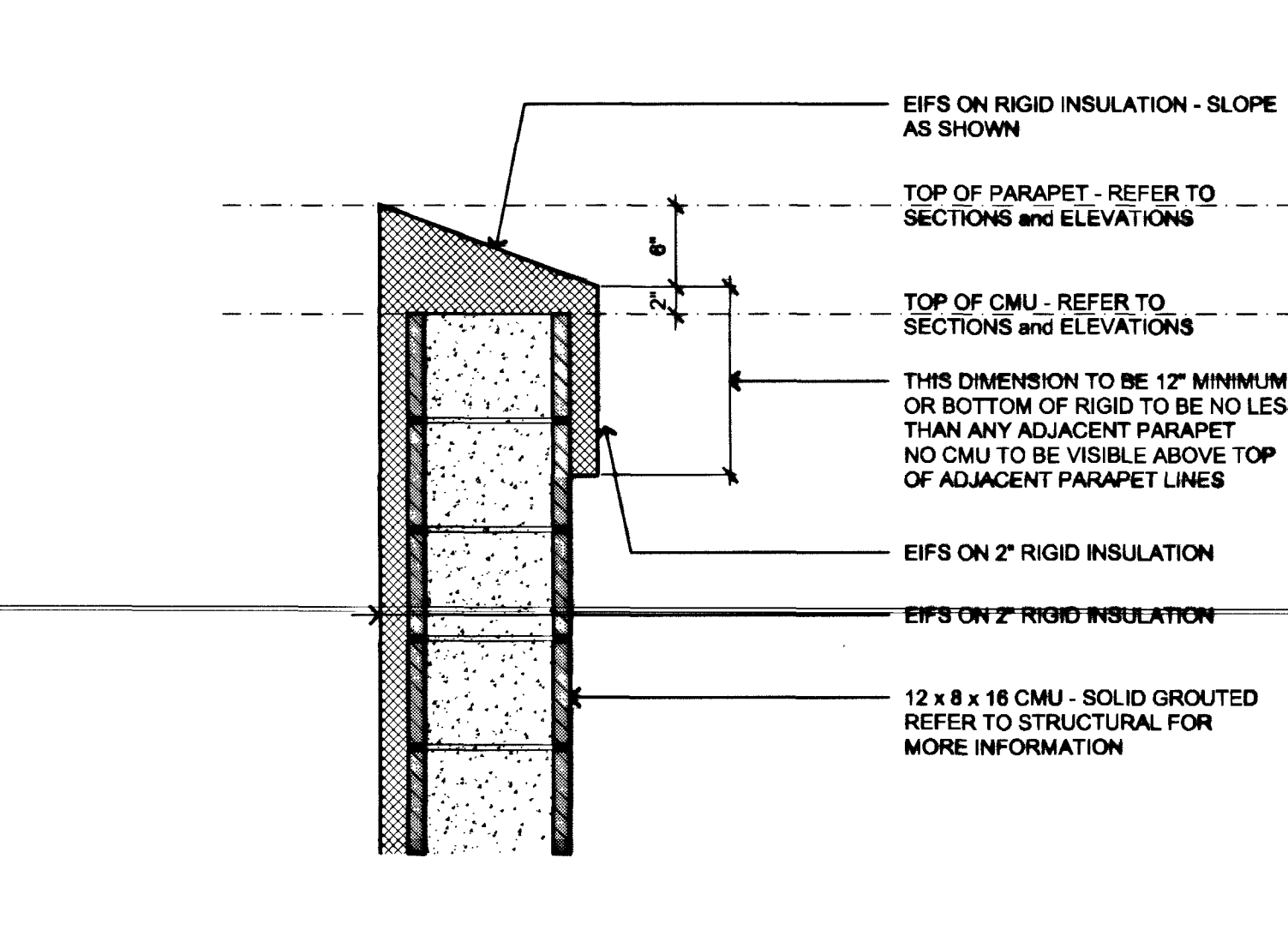


1 DETAIL
1"=1'-0"

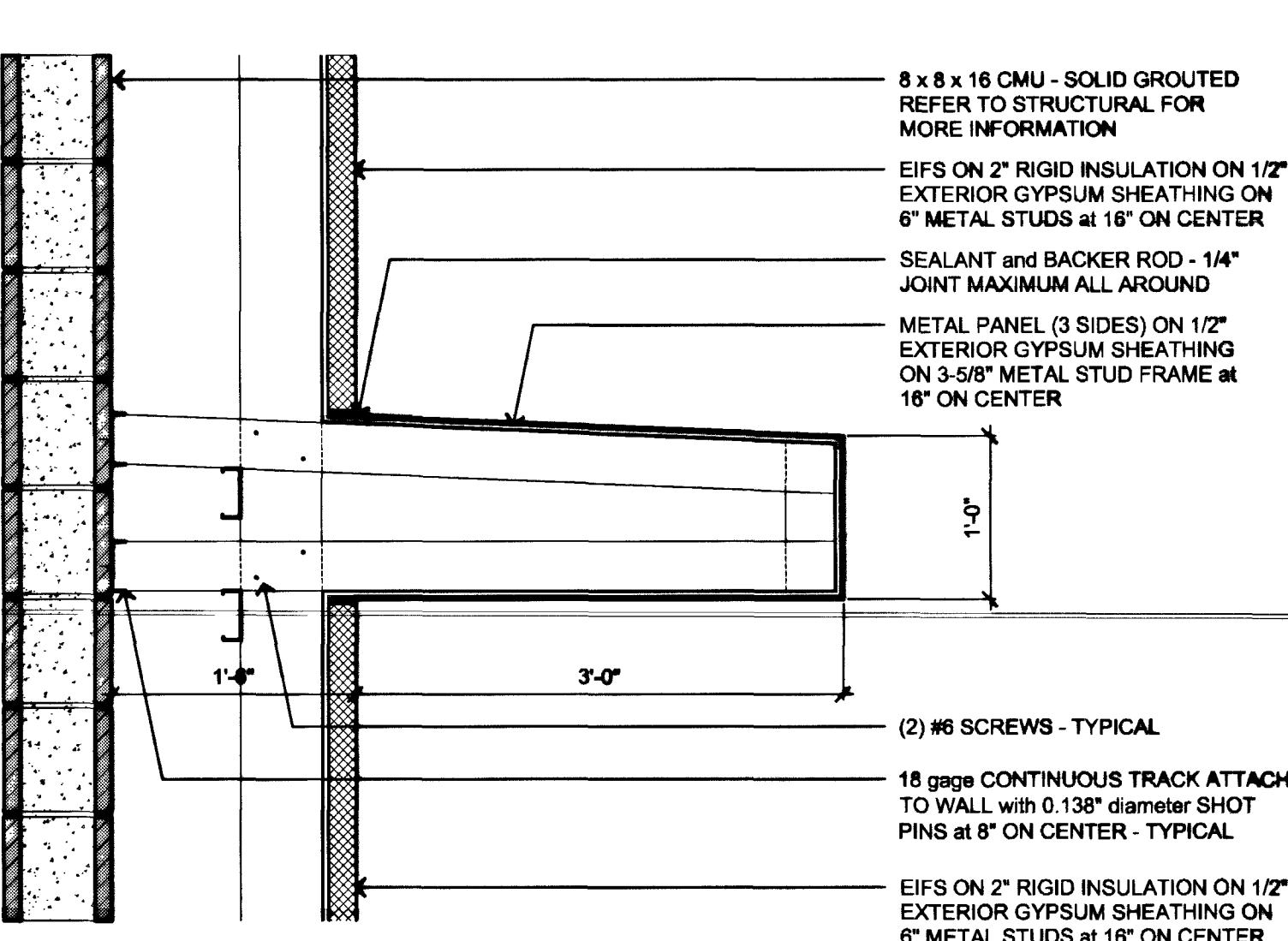
DTLR03.DWG 03/16/01 09:38



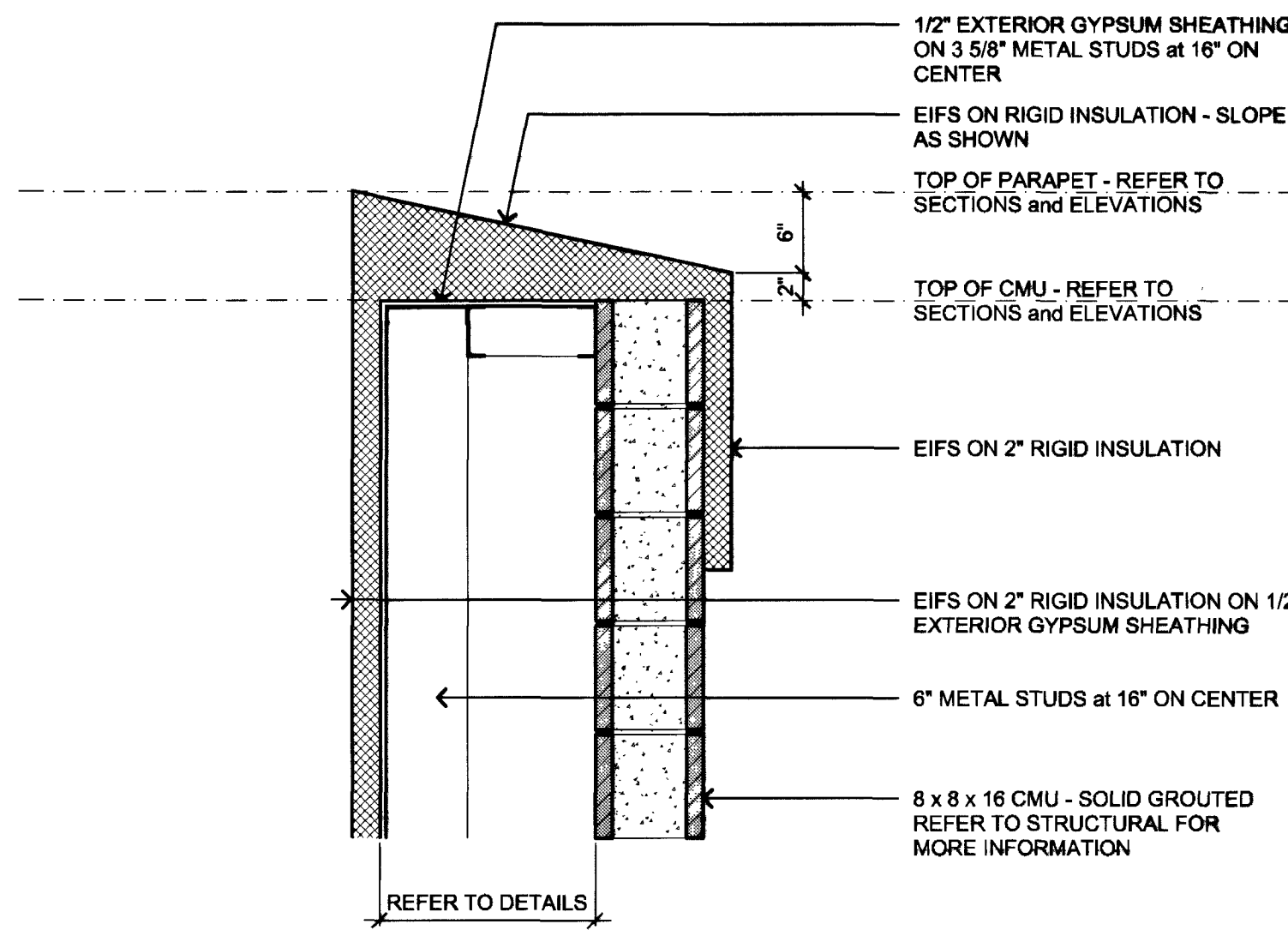
2 DETAIL
1"=1'-0"



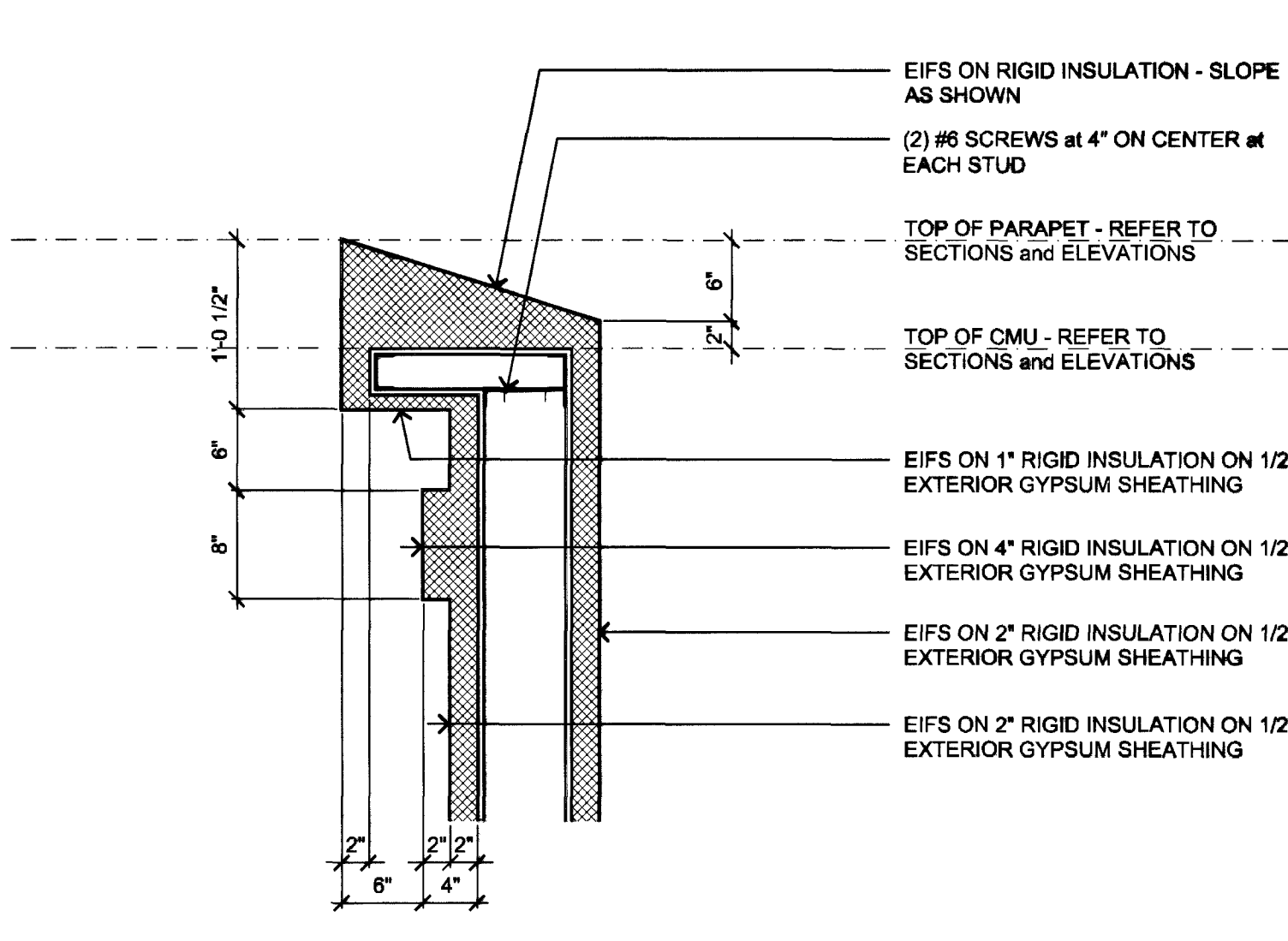
3 DETAIL
1"=1'-0"



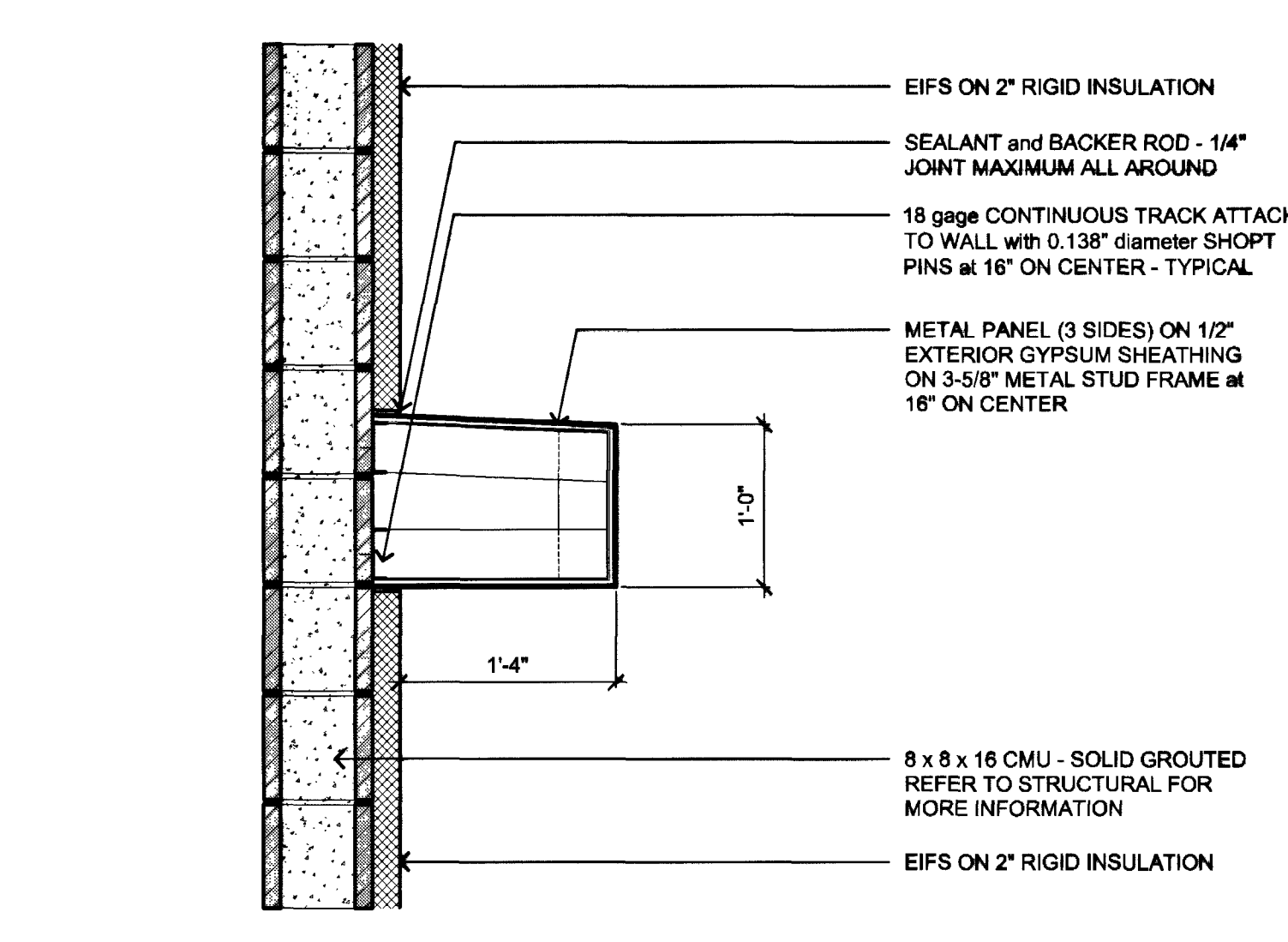
4 DETAIL
1"=1'-0"



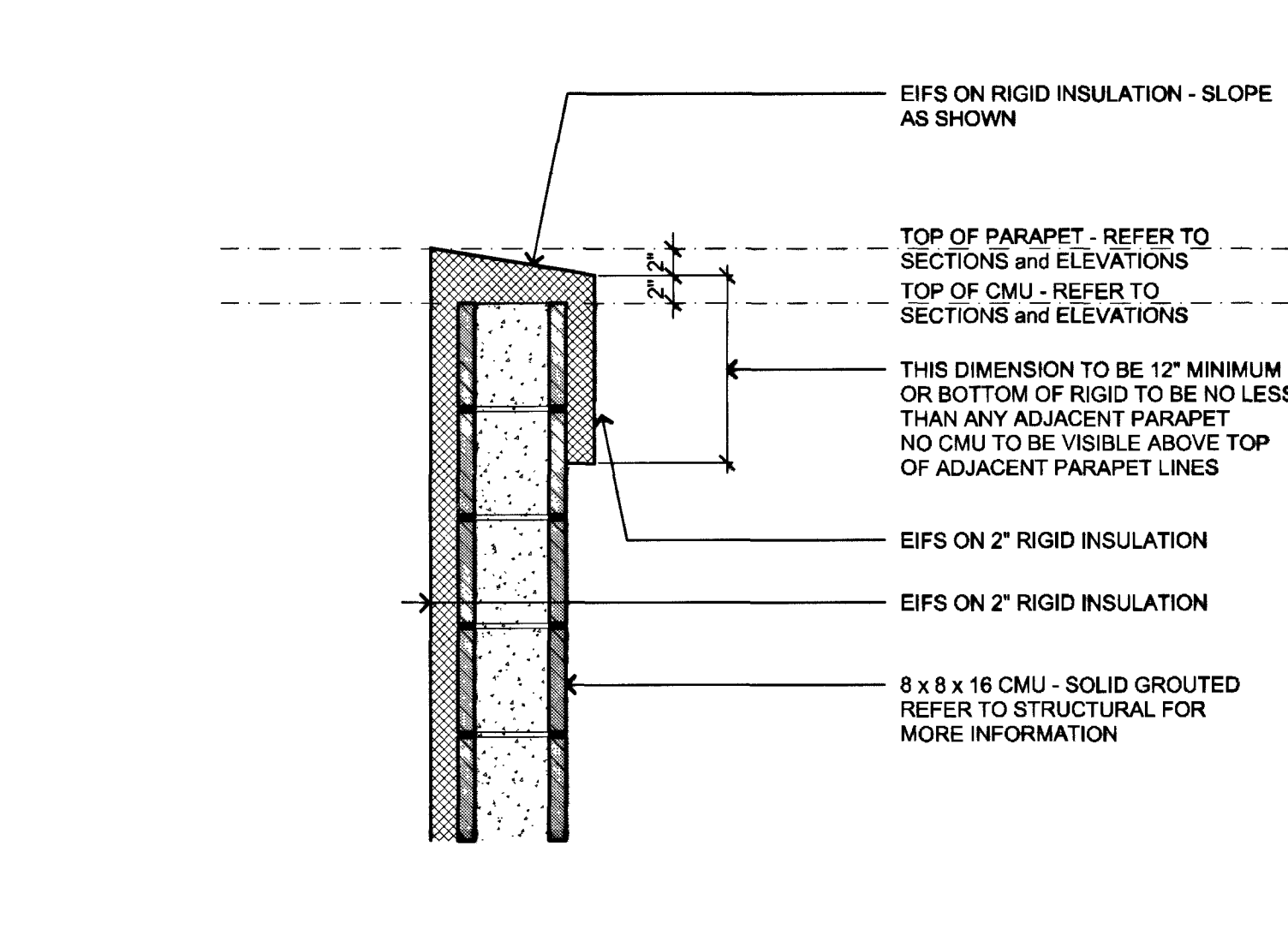
5 DETAIL
1"=1'-0"



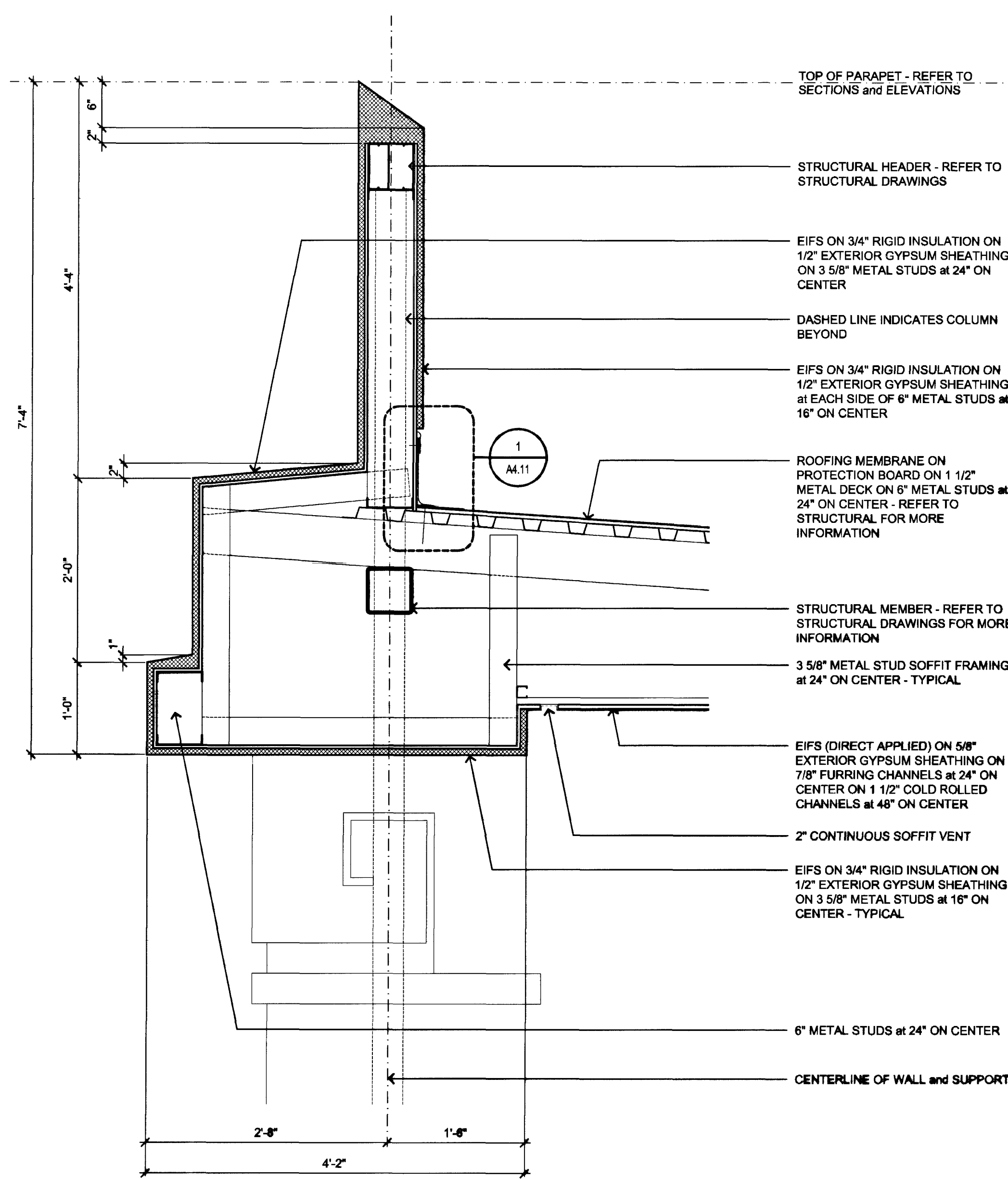
6 DETAIL
1"=1'-0"



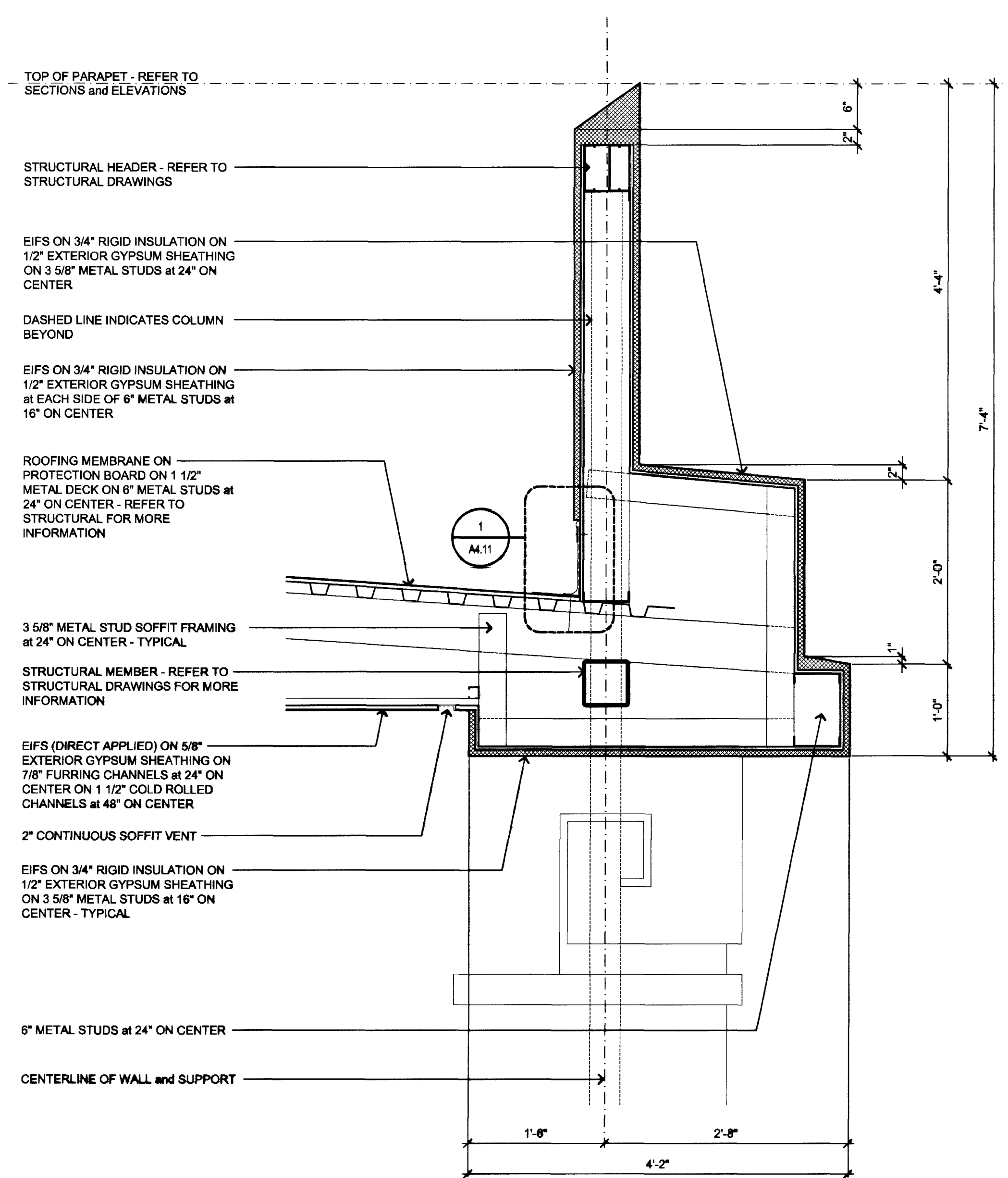
7 DETAIL
1"=1'-0"



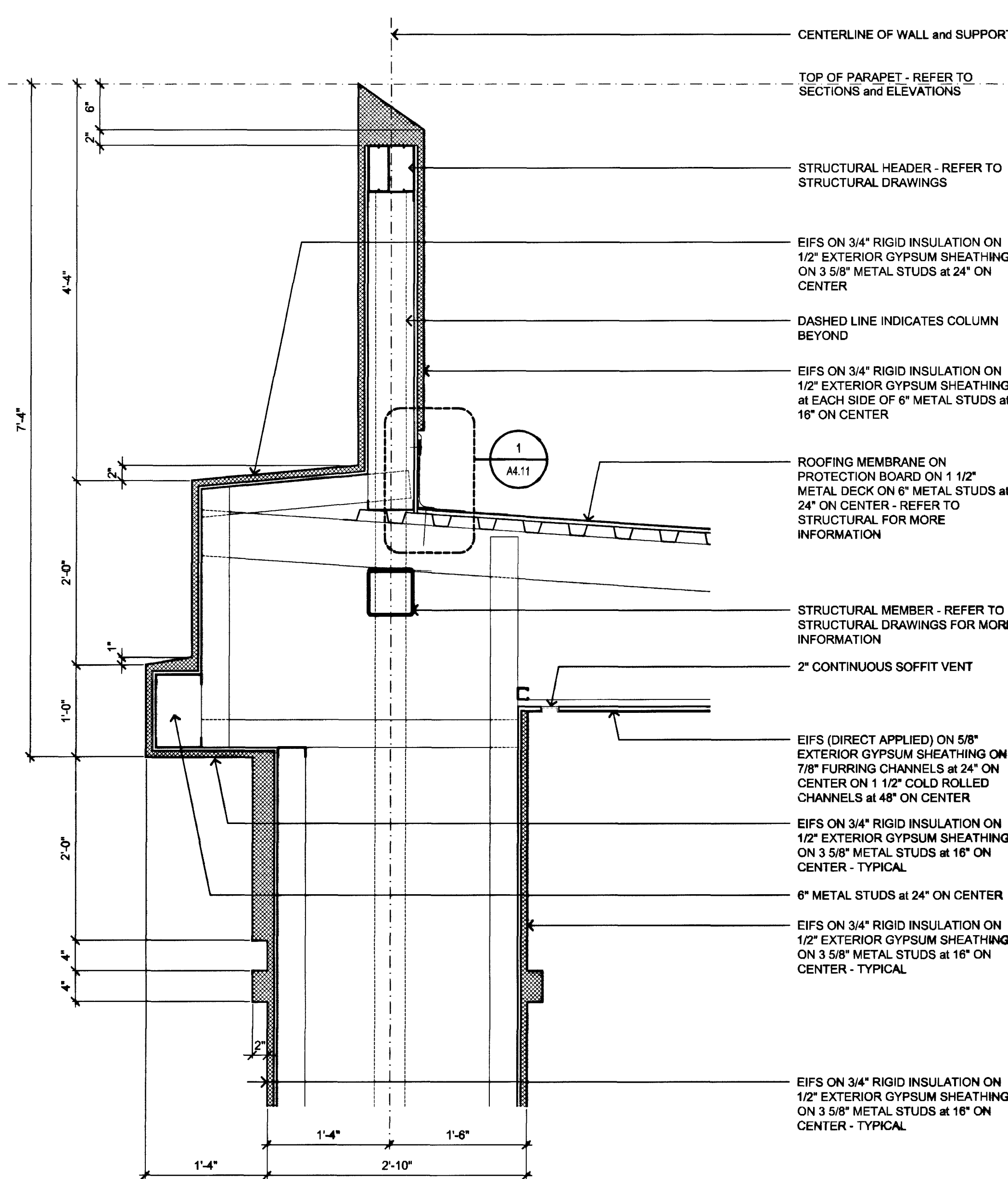
8 DETAIL
1"=1'-0"



13 DETAIL
1"=1'-0"



14 DETAIL
1"=1'-0"



15 DETAIL
1"=1'-0"

RECORD DRAWING

DATE: August 2, 2001
SCALE:
SHEET NO: 01.15301.22
DRAWING NO: 521-266

A4.13