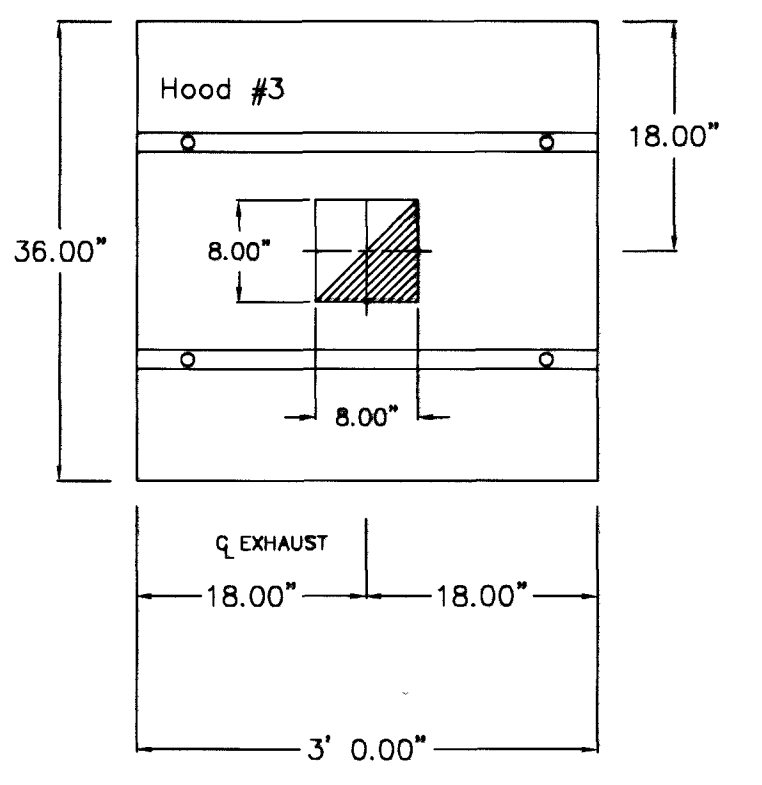
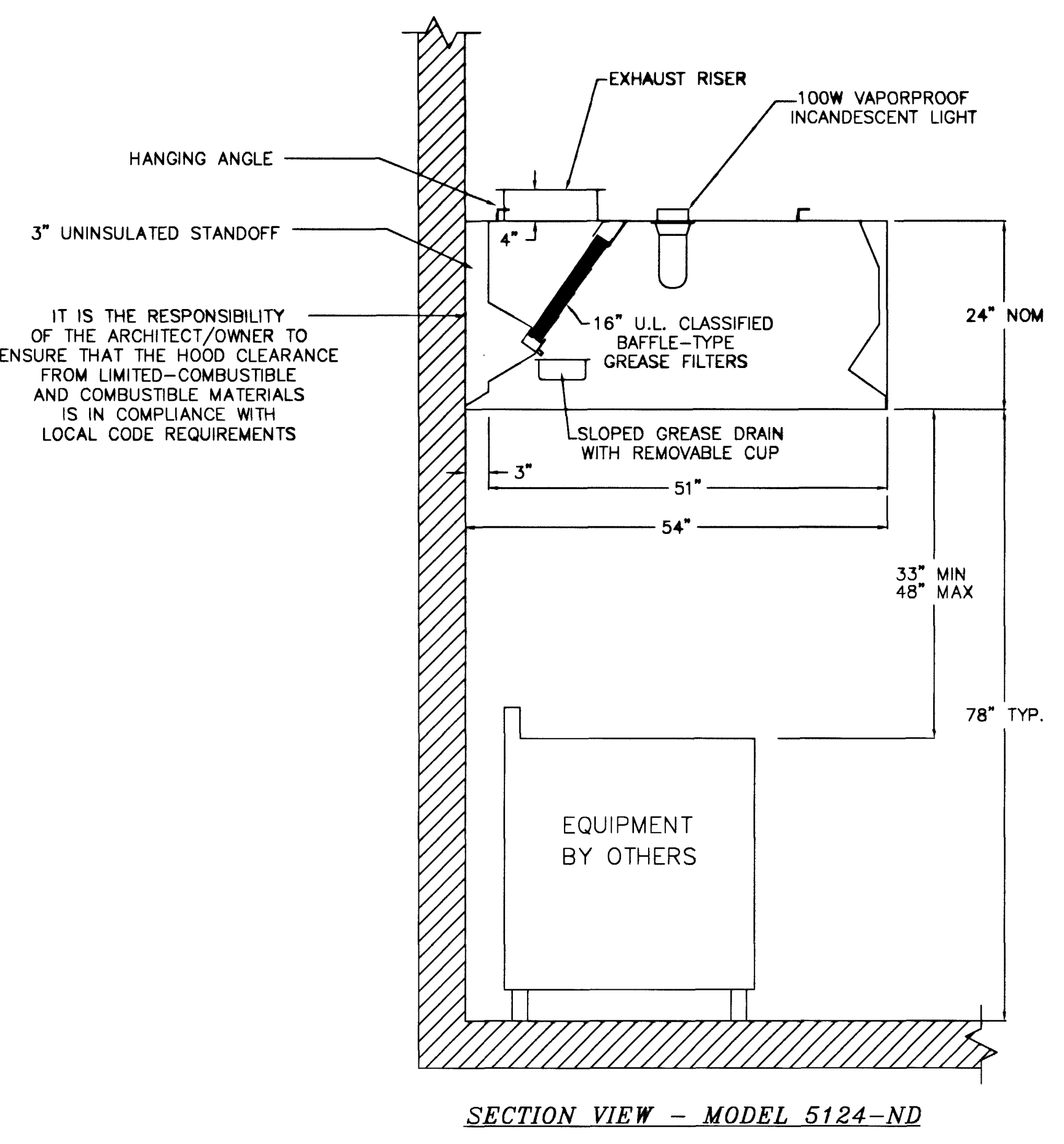


PLAN VIEW - 8' 6.00" LONG 5424VH1-G

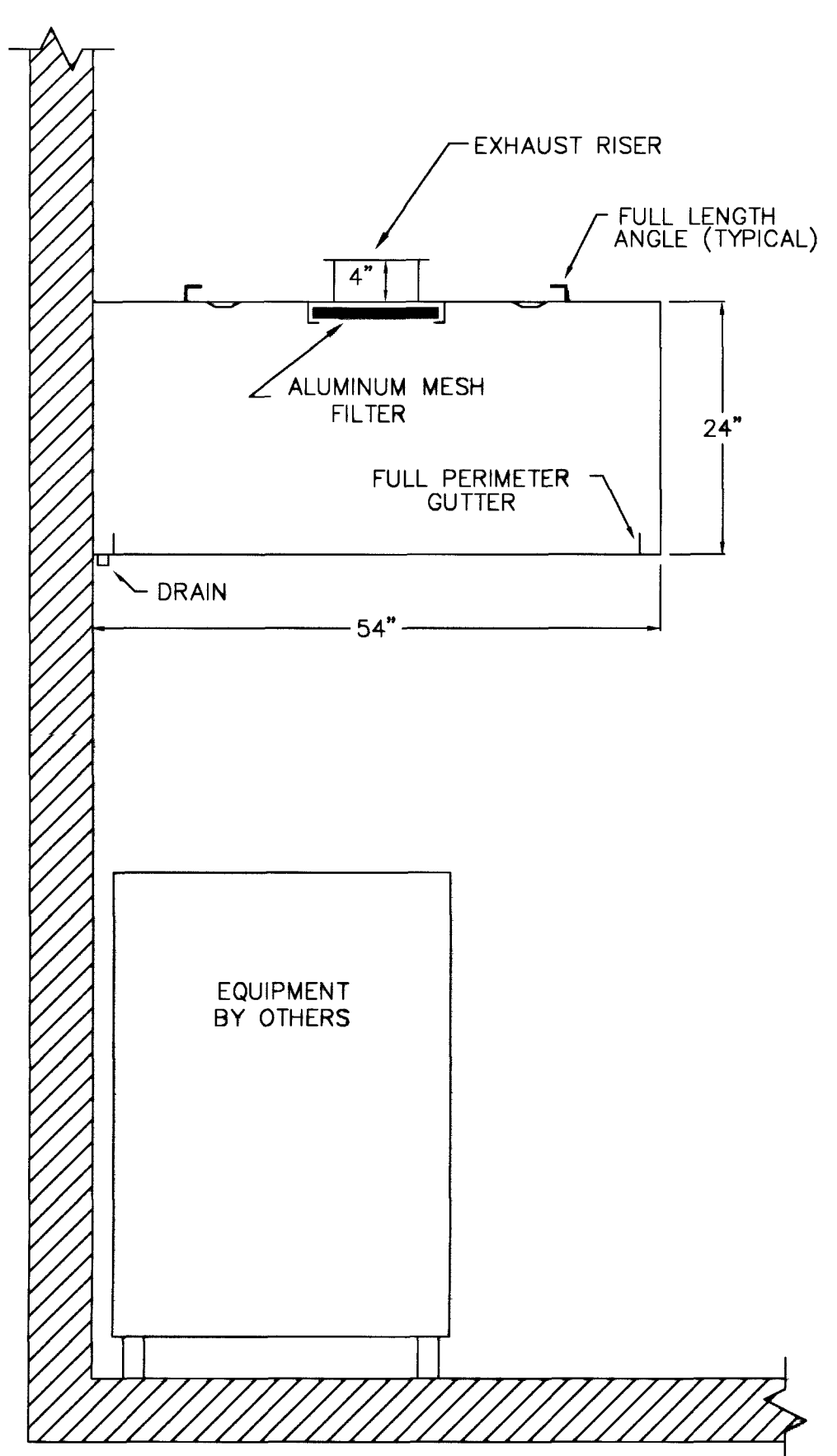
PLAN VIEW - 6' 3.00" LONG 5124ND



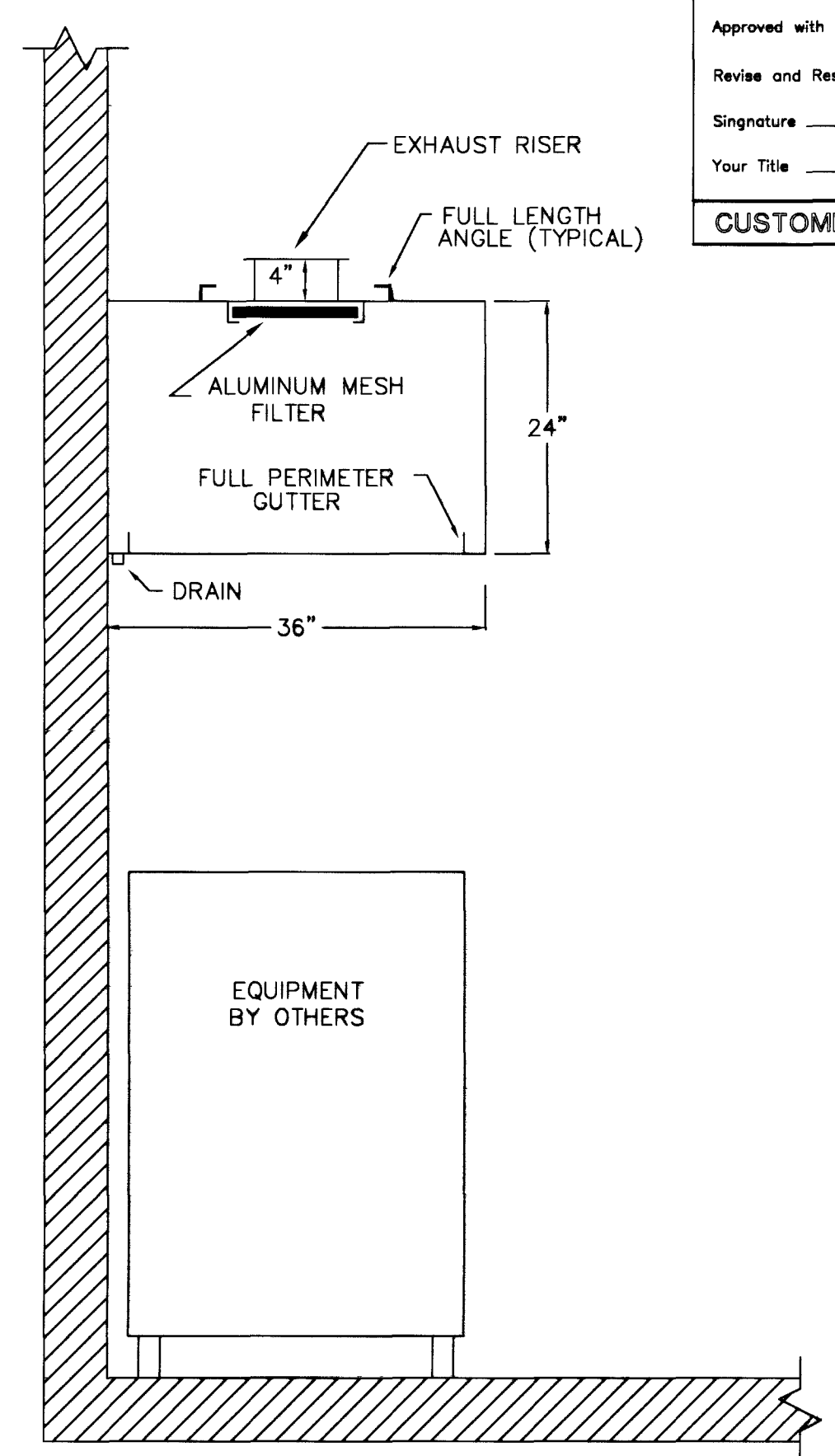
PLAN VIEW - 3' 0.00" LONG 3624VH1-G



SECTION VIEW - MODEL 5124-ND



SECTION VIEW - MODEL 5424-VH1 WITH FULL PERIMETER GUTTER

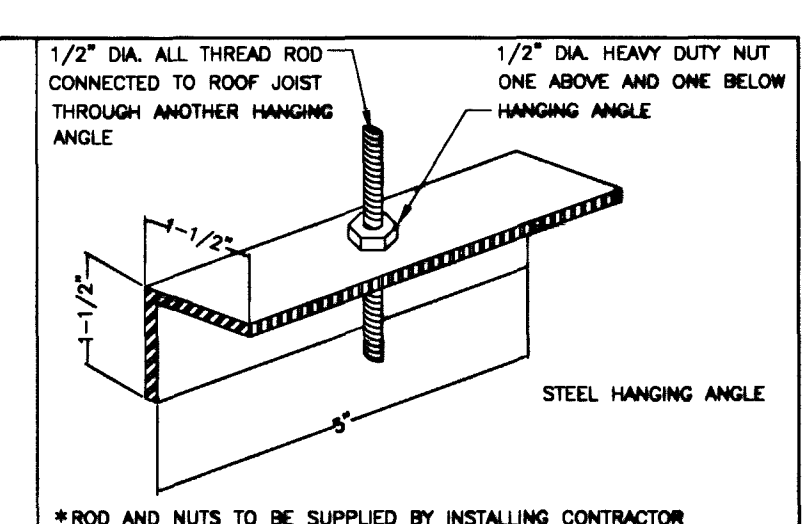


SECTION VIEW - MODEL 3624-VH1 WITH FULL PERIMETER GUTTER

HOOD NO.	MODEL	LENGTH	MAX. COOKING TEMP.	EXHAUST PLENUM				SUPPLY PLENUM				HOOD CONSTRUCTION	HOOD CONFIGURATION		
				TOTAL EXH. CFM	WIDTH	LENGTH	CFM	S.P.	TOTAL SUP. CFM	WIDTH	LENGTH		CFM	S.P.	END
1	5424 VH1-G	8' 6.00"	300 Deg.	1950	18"	18"	1950	-0.450"	0			304 SS 100%			
2	5124 ND	6' 3.00"	450 Deg.	1250	10"	11"	1250	-0.500"	0			304 SS Where Exposed			
3	3624 VH1-G	3' 0.00"	300 Deg.	450	8"	8"	450	-0.400"	0			304 SS 100%			

HOOD NO.	TYPE	FILTER(S)				LIGHT(S)				UTILITY CABINET(S)				FIRE SYSTEM	HOOD WEIGHT	
		QTY.	HEIGHT	LENGTH	QTY.	TYPE	WIRE GUARD	LOCATION	TYPE	FIRE SYSTEM	SIZE	ELECTRICAL MODEL #	QUANTITY			LOCATION
1	Aluminum Mesh	1	20"	20"	0										NO	156 LBS.
2	SS Baffle with Handles	1	16"	16"	2	Incondescent Lights	NO								NO	319 LBS.
3	Aluminum Mesh	1	12"	12"	0										NO	76 LBS.

HOOD NO.	OPTION
2	BACK STANDOFF 3" Wide
	RIGHT END STANDOFF 3" Wide



HANGING ANGLE DETAIL

EXHAUST CFM=LENGTH OF HOOD X CFM/INCH. (LOAD)  
 SUPPLY CFM=EXHAUST CFM X PERCENTAGE REQUIRED  
 TOTAL DUCT AREA=144 X CFM  
 (FPM)<sup>2</sup>

CALCULATIONS UTILIZED

- NFPA #88
- NSF
- S.D.C.A. #83-18
- I.C.R.O. 34418
- SBDO PST & ESI NO. 83137
- U.L. LISTED #M12106
- LOS ANGELES #10/000



BUILDING CODES

CAPTIVE-AISE HOODS/AQUA-MATIC HAS OPTIONAL CLEARANCE REDUCTION SYSTEMS AVAILABLE AS FOLLOWS:

MATERIAL	CLEARANCE REDUCTION SYSTEM
NON-COMBUSTIBLE	NONE REQUIRED
LIMITED-COMBUSTIBLE	3" UNINSULATED STANDOFF
COMBUSTIBLE	3" INSULATED STANDOFF

TABLE 1

1. ALL ELECTRICAL "FIELD" CONNECTIONS AND RELATED INTERCONNECTIONS BY ELECTRICAL CONTRACTORS.
2. ALL PLUMBING "FIELD" CONNECTIONS AND RELATED INTERCONNECTIONS BY PLUMBING CONTRACTORS.
3. ALL ASSOCIATED HANGER MATERIALS BY INSTALLING CONTRACTORS.
4. 8" LONG FACTORY LOCATED AND WELDED HANGER BRACKETS AS SHOWN ON PLANS.
5. ALL CONNECTIONS FROM CAPTIVE-AISE DUCT PER THE PLANS BY MECHANICAL CONTRACTORS.
6. ALL LIGHTS SHOWN INSTALLED BY CAPTIVE-AISE, ARE FACTORY PROVIDED PER THE PLANS. INTERCONNECTIONS BETWEEN HOODS AND TO SWITCHES BY ELECTRICAL CONTRACTOR.
7. LAMPS FOR LIGHT FIXTURES BY INSTALLING CONTRACTORS.
8. SEWING RESISTANTS ARE RESPONSIBILITY OF INSTALLING CONTRACTOR.
9. INSTALLING CONTRACTORS ASSUME ALL RELATED RESPONSIBILITY FOR VERIFICATION OF DIMENSIONAL DATA CONTAINED IN THESE DOCUMENTS FOR ACCURACY, INTERPRETATION, AND ADMINISTRATION OF CODE REQUIREMENTS IN STEEL PRIOR TO ANY RELEASE FOR PRODUCTION OF EQUIPMENT SHOWN.
10. SHOWN AND APPROVED COPIES OF THIS DOCUMENT MUST BE RECEIVED BY THE FACTORY PRIOR TO COMMENCEMENT OF FABRICATION.
11. NOMINAL HOOD DIMENSIONS AS SHOWN ON DRAWINGS.

GENERAL NOTES

Approved as Noted   
 Approved with NO Exception Taken   
 Revise and Resubmit   
 Signature \_\_\_\_\_  
 Your Title \_\_\_\_\_ Date \_\_\_\_\_

CUSTOMER APPROVAL TO MANUFACTURE

REVISIONS	DESCRIPTION	DATE

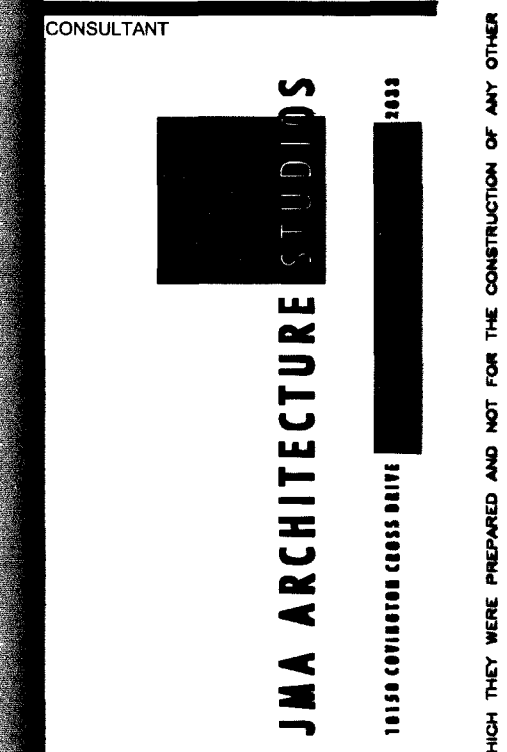


**Las Vegas Com. Center**  
 Las Vegas, NV

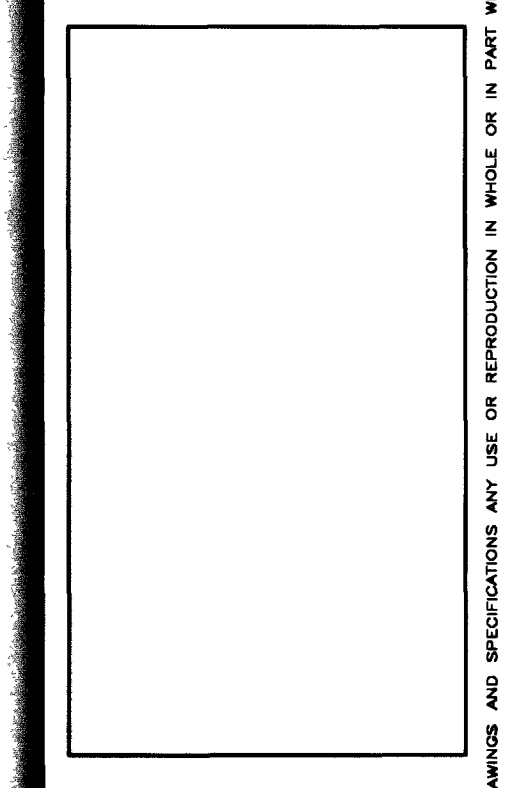
DATE: 1-23-01  
 DWG.#: elvcc  
 DRAWN BY: AJJ  
 SCALE: 3/4" = 1 Ft.  
 HOOD DETAIL PLAN  
 SHEET# 1 of 1



AS-BUILTS 5-30-03



**East Las Vegas Community Center**  
 Eastern and Stewart



OWNER: CITY OF LAS VEGAS  
 DEPARTMENT OF PUBLIC WORKS  
 ARCHITECTURAL SERVICES

450 EAST STEWART AVENUE  
 LAS VEGAS, NEVADA 89101  
 PHONE: (702) 228-4839  
 FAX: (702) 369-3232  
 TDD: (702) 369-9108

FOODSERVICE EQUIPMENT  
 FACTORY EXHAUST DETAILS

FS-6