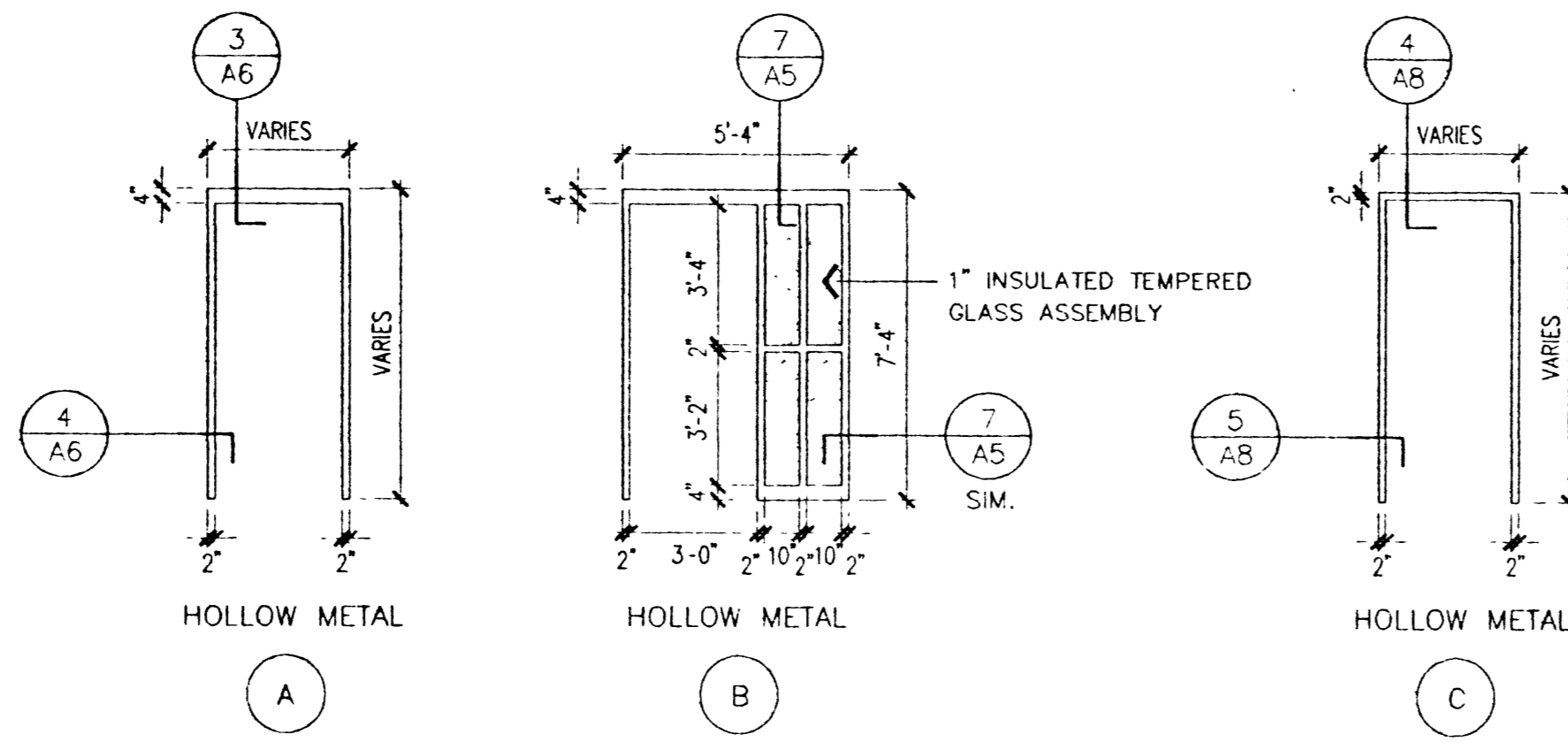


1 TYPICAL THRESHOLD
SCALE: 1-1/2"=1'-0"



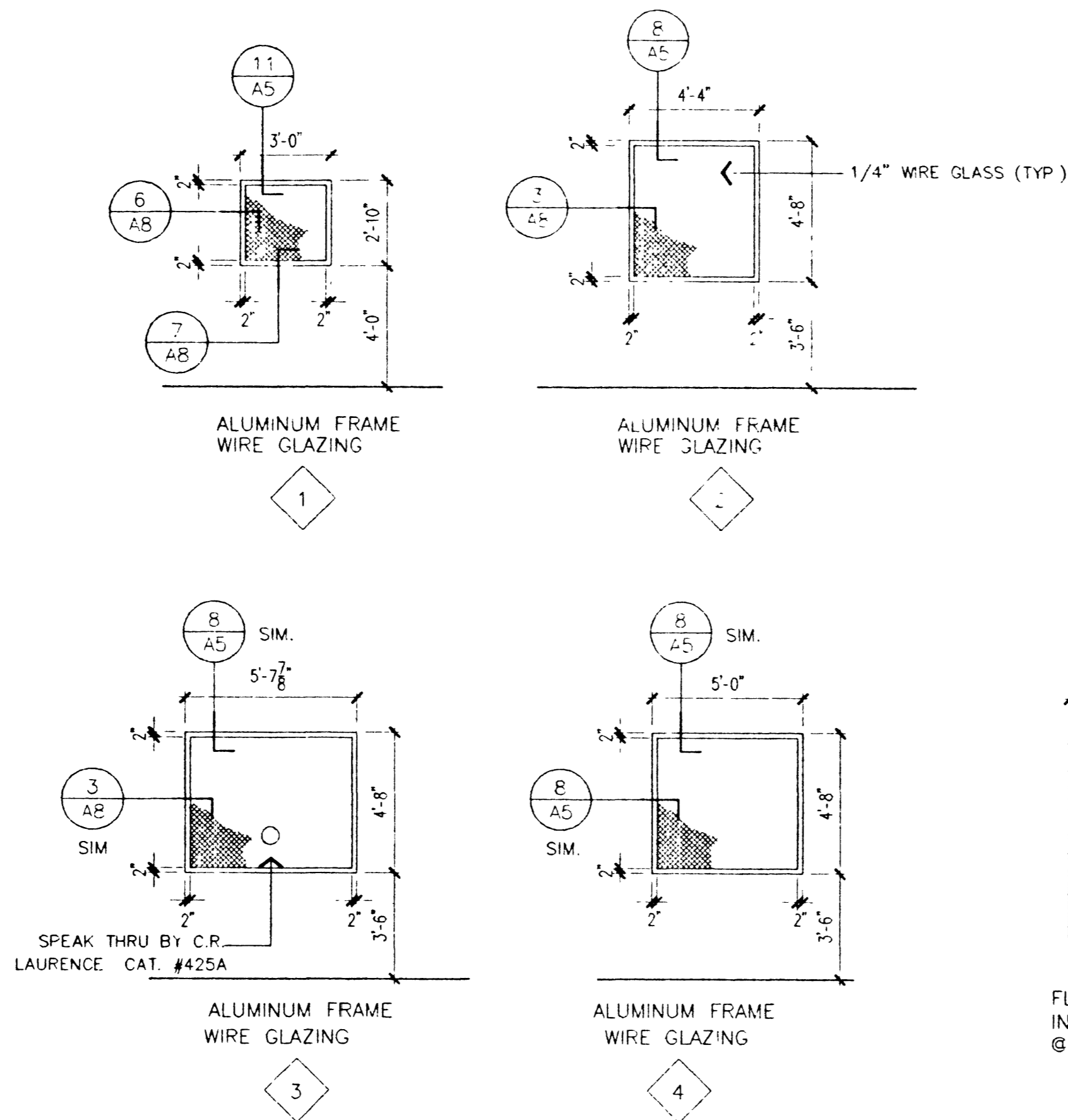
FRAME TYPES

DOOR SCHEDULE

door no.	type	size	frame					remarks			
			type	profile	head	jamb	jamb	sill	hardware	fire	rating
1	1	3'-0" X 7'-0" X 1-3/4"	B	A	8/A6	9/A6		1/A9	1		
2	1	3'-0" X 7'-0" X 1-3/4"	A	A	3/A6	4/A6			2		
3	1	3'-0" X 7'-0" X 1-3/4"	A	A	3/A6	4/A6			2		
4	1	3'-0" X 7'-0" X 1-3/4"	A	A	3/A6	4/A6			4		
5	1	3'-0" X 7'-0" X 1-3/4"	A	A	3/A6	4/A6			4		
6	1	3'-0" X 7'-0" X 1-3/4"	A	B	6/A6	7/A6			4		ELECTRIC STRIKES
7	1	3'-0" X 6'-8" X 1-3/4"	C	A	4/A8	5/A8			5		
8	1	3'-0" X 6'-8" X 1-3/4"	C	A	4/A8	5/A8		1/A9	1		
9	1	3'-0" X 7'-0" X 1-3/4"	A	A	8/A6	9/A6		1/A9	3		OWNER TO PROVIDE FOLDGER ADAMS LOCK

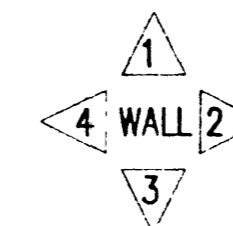
FINISH SCHEDULE

room title	floor	base	walls				ceiling	ceiling height	notes	
			1	2	3	4				
100 UNSECURED VISITOR	① VCT	RB	③P	③P	③P, ②P	③P	AP	10'-0"		
101 WOMEN'S RESTROOM	CFT	CWT	③P, CWT	③P, CWT	③P, CWT	③P, CWT	②P	8'-0"		
102 MEN'S RESTROOM	CFT	CWT	③P, CWT	③P, CWT	③P, CWT	③P, CWT	②P	8'-0"		
103 ELECTRICAL ROOM	①	RB	③P	③P	③P	③P			OPEN TO STRUCTURE	
104 VIDEO ROOM	① VCT	RB	③P	③P	③P	③P	AP	10'-0"		
105 VIDEO ROOM	① VCT	RB	③P	③P	③P	③P	AP	10'-0"		
106 CONTROL STATION	① VCT	RB	②P	③P	②P	②P	AP	9'-0"	(FLOOR RAISED 12")	
107 SECURED VISITOR	① VCT	RB	③P, ②P	③P	③P	③P	AP	10'-0"		
108A INMATE VISITATION	TO REMAIN AS EXISTING									
108B PUBLIC VISITATION	TO REMAIN AS EXISTING									
109 EXIST. VISITOR CHECK-IN	①④CA	RB	TO REMAIN AS EXISTING							
110 EXIST. VISITOR AWAITING	①④CA	RB	TO REMAIN AS EXISTING							



WINDOW TYPES

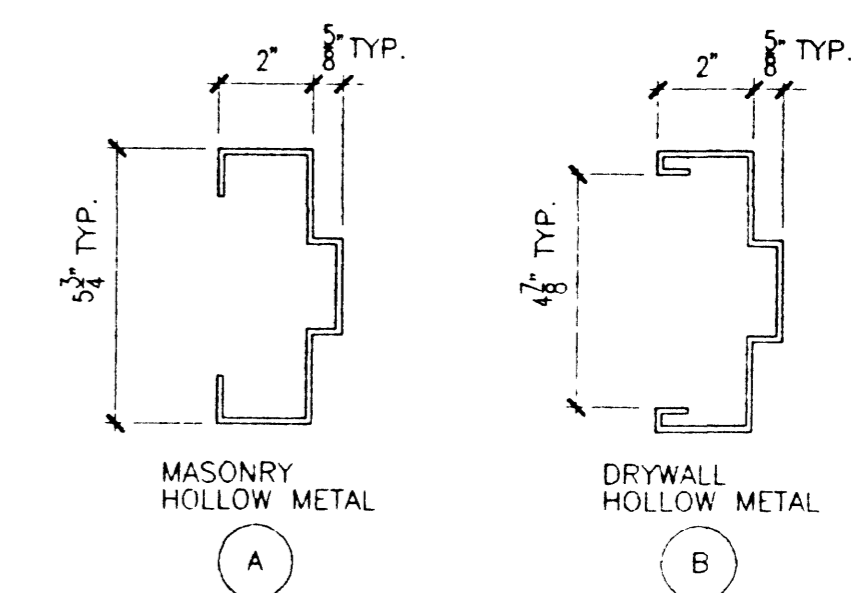
DOOR TYPES



FINISH SCHEDULE KEY

ref.	base materials
①	CONCRETE
②	GYPSUM BOARD
③	MASONRY
④	ACCESS FLOORING

ref.	finish materials
P	PAINT
CFT	CERAMIC FLOOR TILE
CWT	CERAMIC WALL TILE/BASE
AP	ACOUSTICAL PANEL
RB	RUBBER BASE 6" COVED
VCT	VINYL COMPOSITION TILE (MATCH EXISTING)
CA	CARPET



FRAME PROFILE

700 W. LAKE MEAD BLVD., SUITE #212, LAS VEGAS, NV 89118 (702) 381-0077 FAX (702) 381-0087
RECORD DRAWING
 WAYNE SCHREINER AIA
 THOMAS M. SILVA AIA
CITY OF LAS VEGAS DETENTION VISITOR CENTER
 980602.0
 FEB. 01, 1999
 RA
 WPS
 A9
 12 of 12