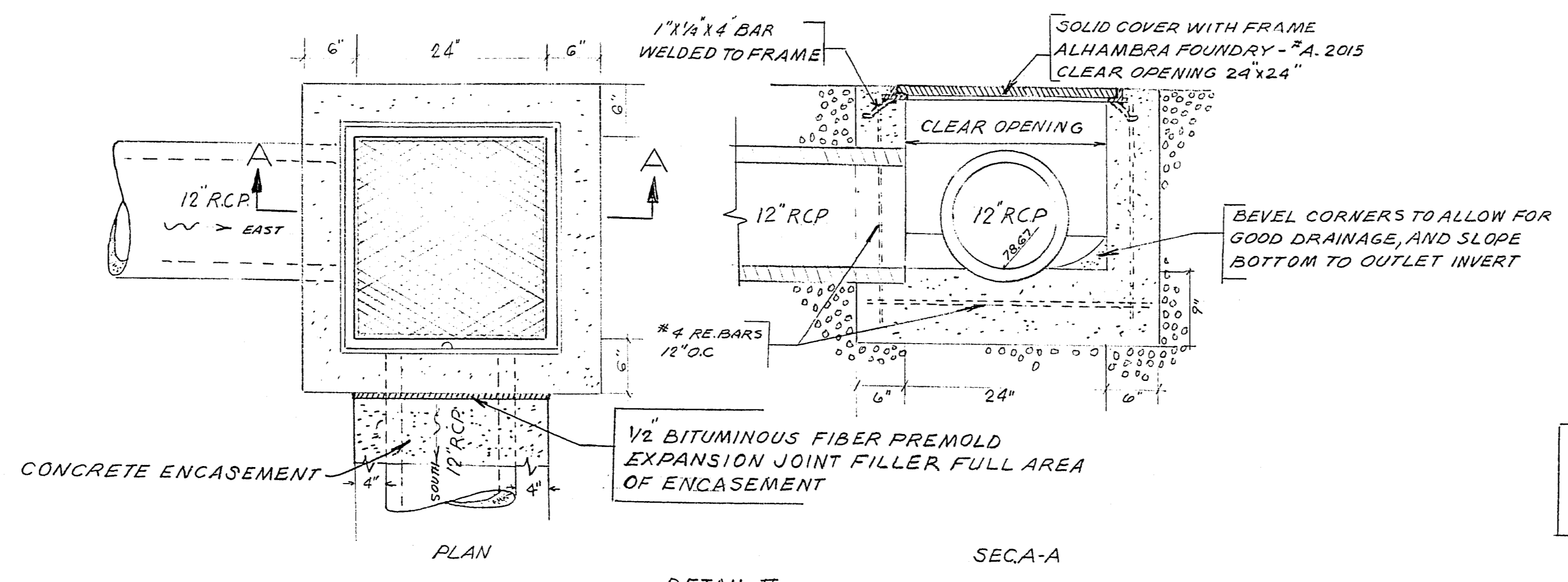
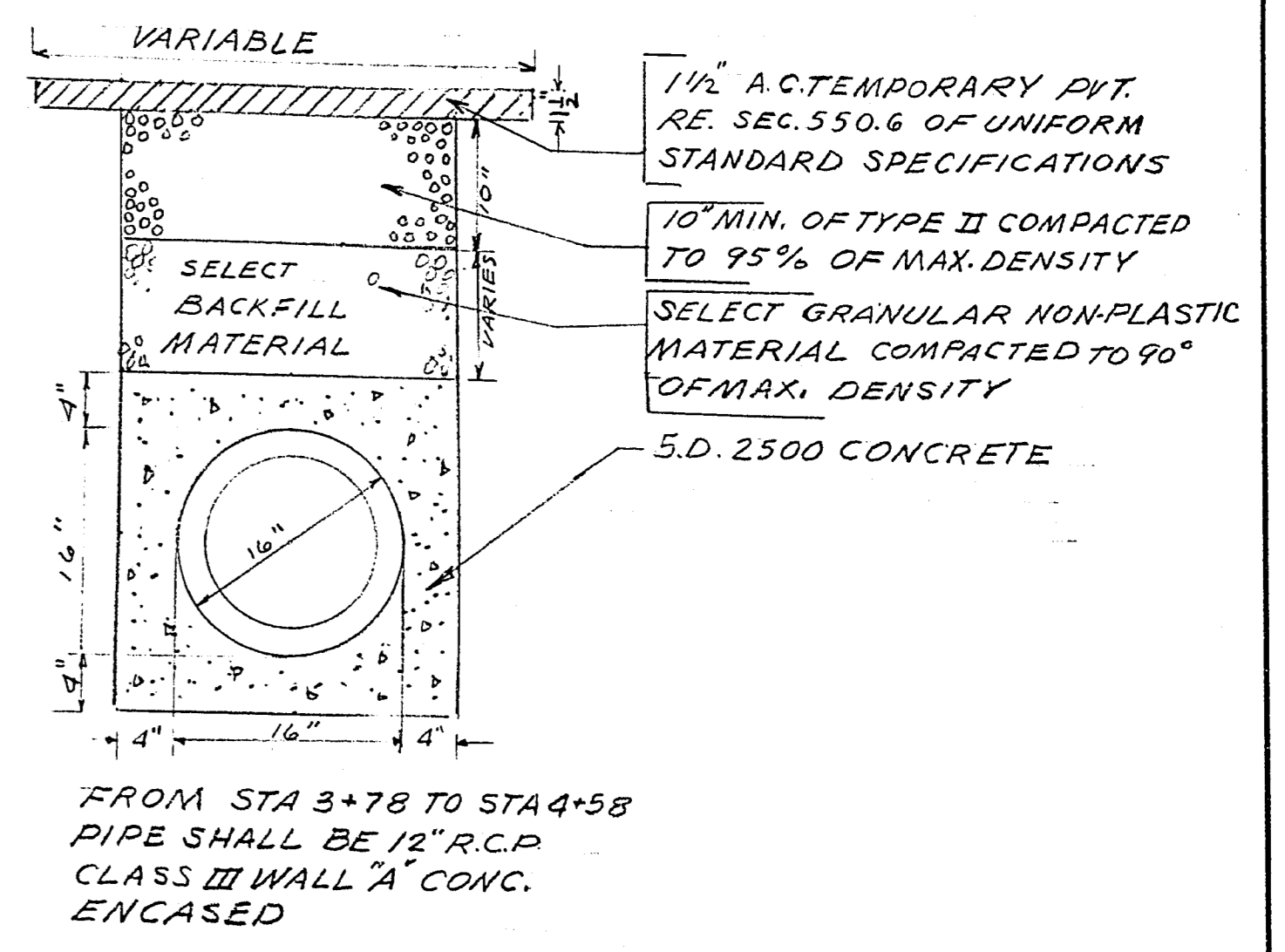


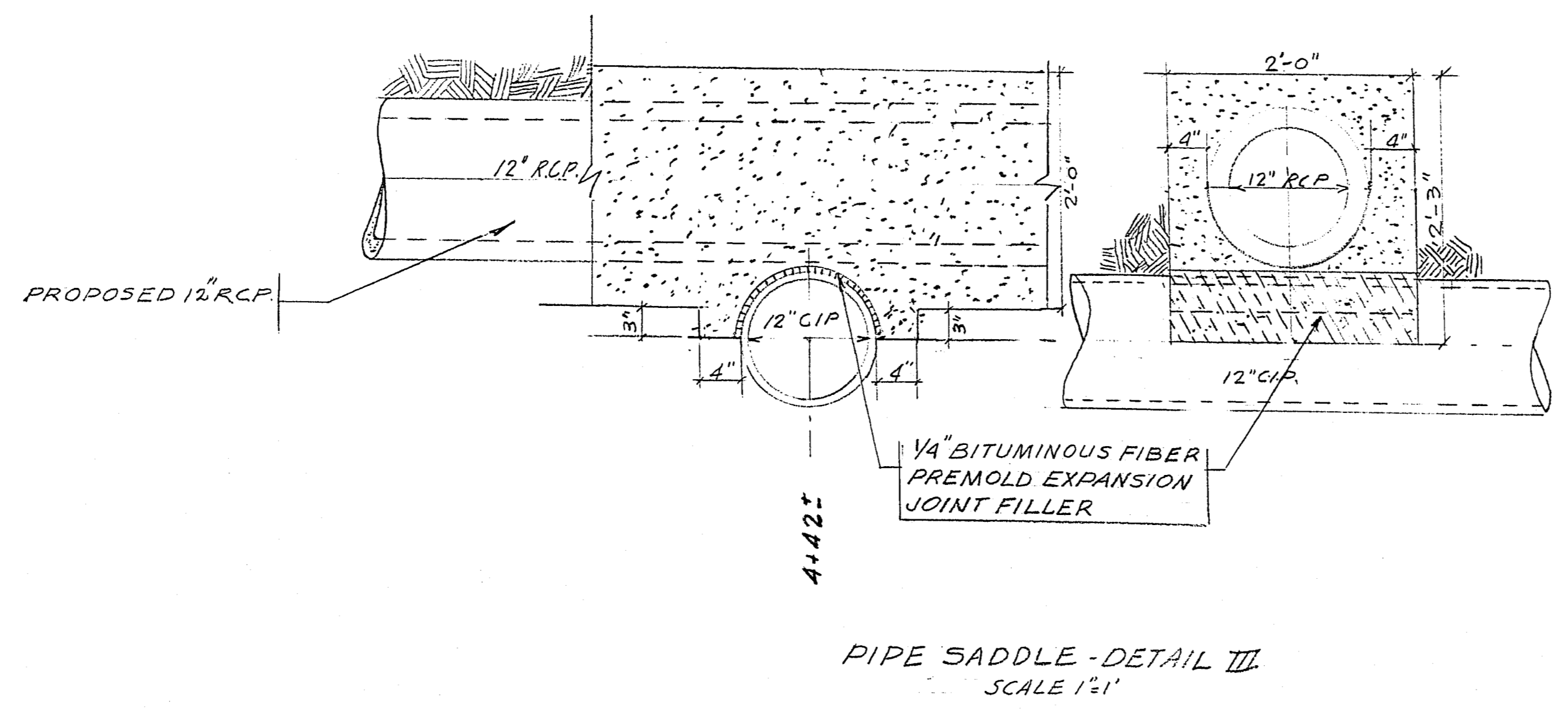
23-56



GENERAL NOTES
 BEDDING REQUIREMENTS SHALL BE DETERMINED IN FIELD BY FIELD ENGINEER BASED ON PREVAILING SOIL CONDITIONS, EXCEPT AS NOTED ON PLANS.



JUNCTION BOX STA. 4+58
 SCALE 1"=1'



PIPE SADDLE - DETAIL III
 SCALE 1"=1'

EXISTING UTILITIES ARE LOCATED ON THE PLANS FOR THE CONVENIENCE OF THE CONTRACTOR ONLY. THE CONTRACTOR SHALL BE RESPONSIBLE FOR VERIFYING THE LOCATION AND DEPTH OF ALL UTILITIES AND THE CITY ENGINEER SHALL NOT BE RESPONSIBLE FOR DAMAGES NOT SHOWN ON THE PLANS OR NOT IN THE LOCATION SHOWN ON THE PLANS.

FIELD CHECK DATE _____
 ENGINEERING SECTION
 CONSTRUCTION DIVISION

CONTRACT DRAWING
 JUL 25 1966

3	W. Testor	3	W. Testor
1	G.M. 7/21/66	1	G.M. 7/21/66
2	M. 7/21/66	2	M. 7/21/66

CITY OF LAS VEGAS NEVADA ENGINEERING DEPT.			
DIKE LANE AND BONANZA STORM DRAIN - 2ND. STAGE CONSTRUCTION			
NO. 930	DATE	SC. (H) AS SHOWN	
DES. K. ANDERSON & PARTNER	3/13/66	SC. (V)	
DR. DODD	6/7/66	F. BK. NO.	
CHK.		P. J. O. NO.	
APPROVED BY CITY ENGR.	7/25/66	DRAWING NO.	
		327-104	