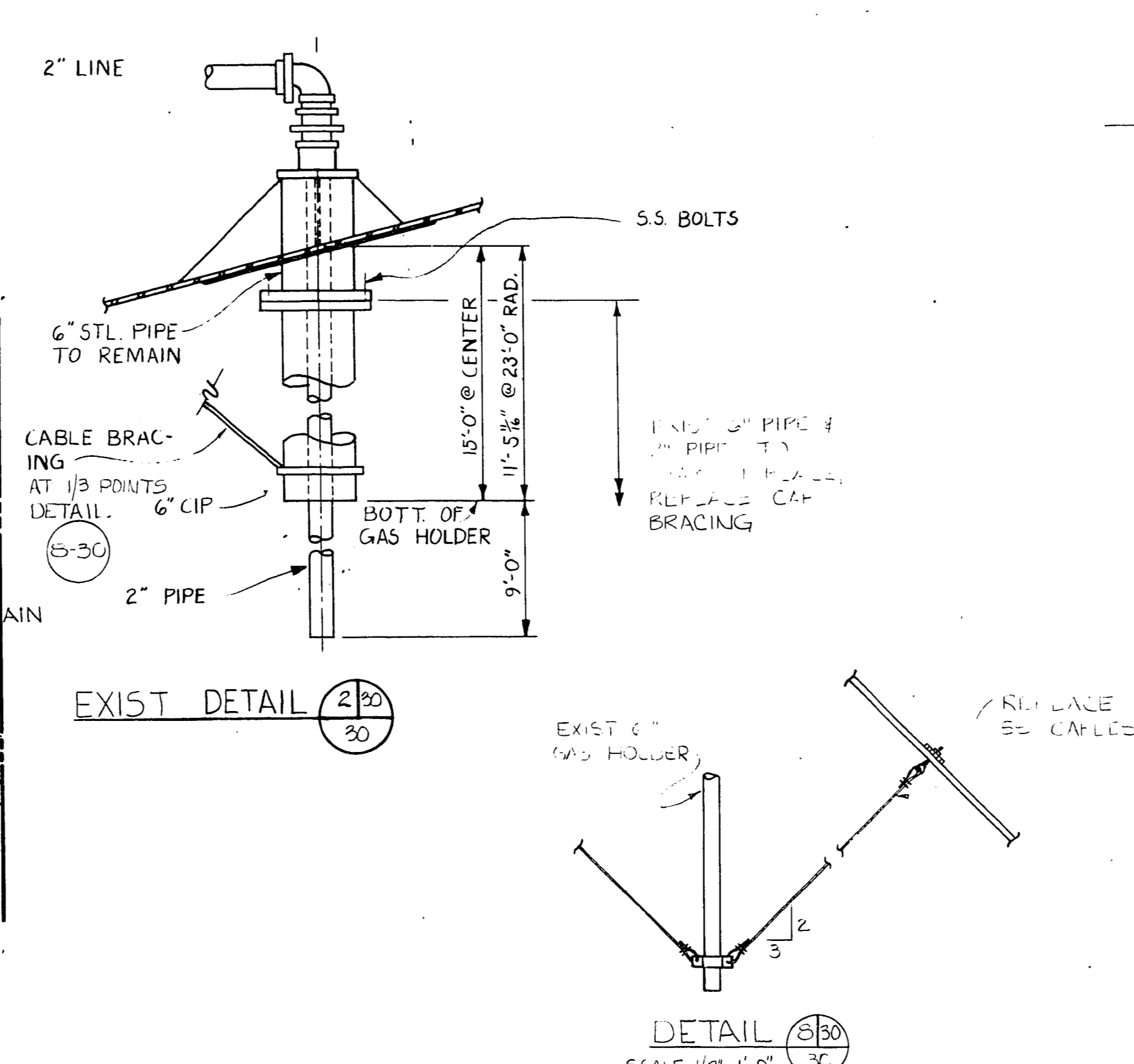
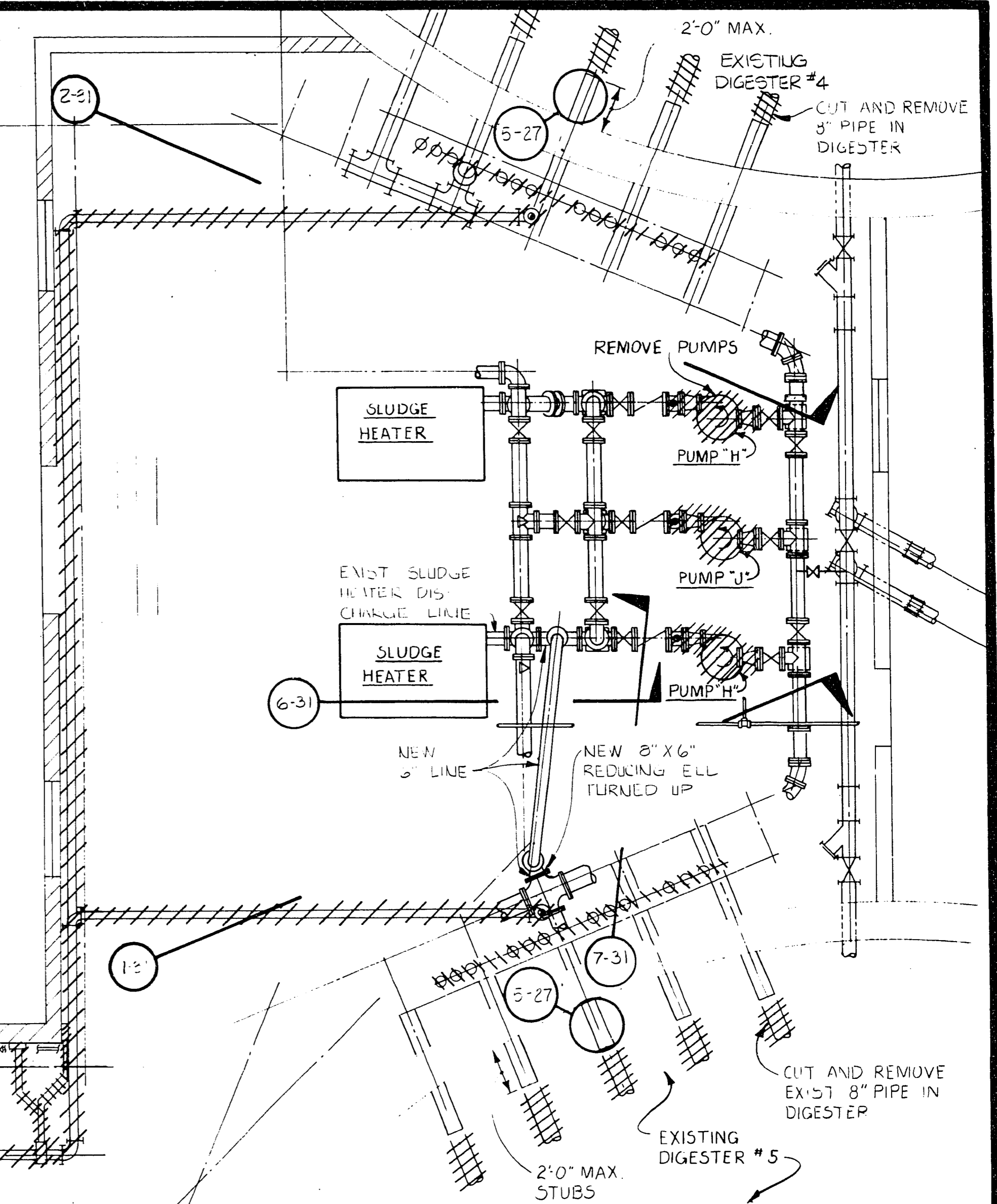


DEMOLITION DIGESTER #6
SCALE: 1/8" = 1'-0"

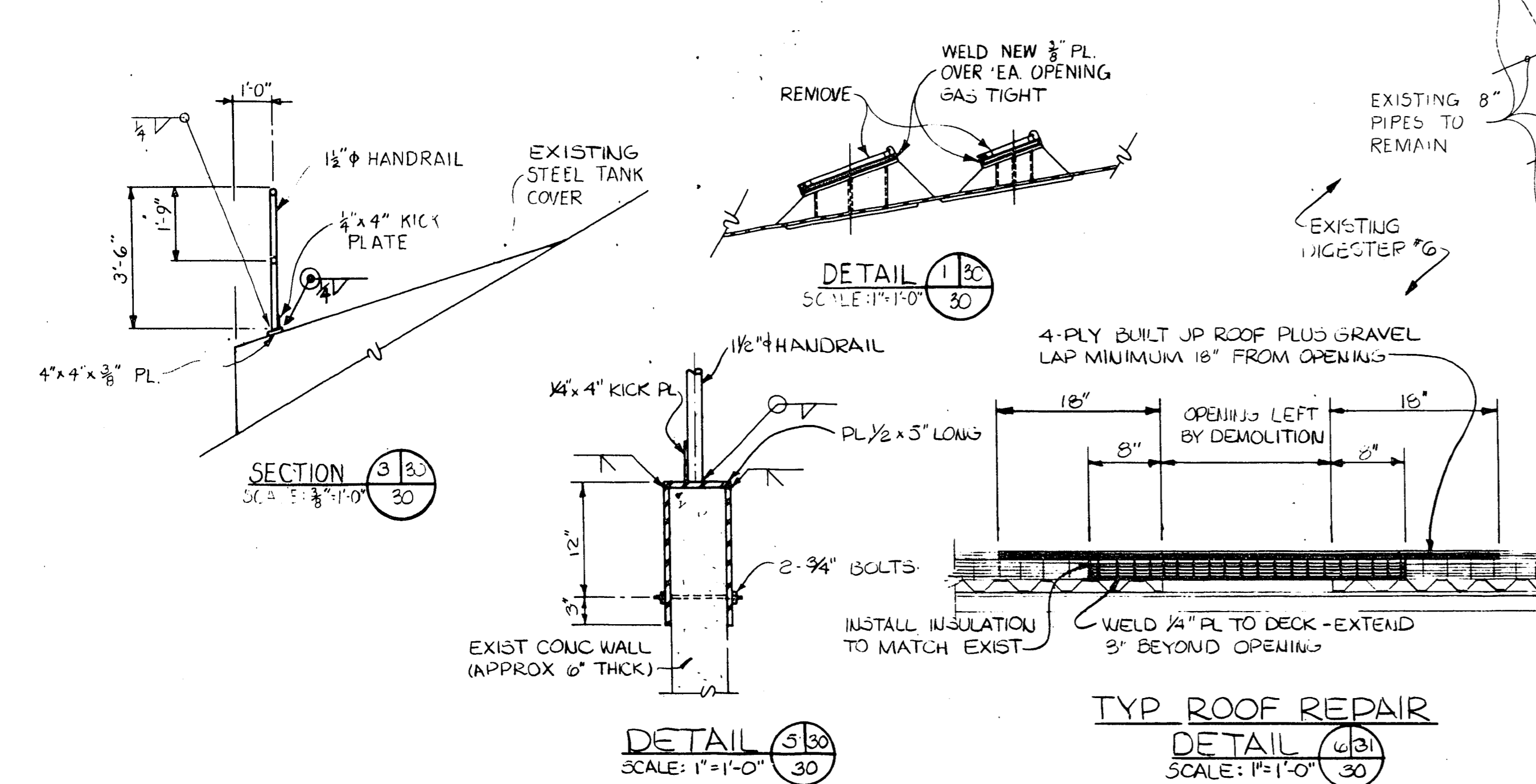


EXIST DETAIL 2-30
SCALE: 1/2" = 1'-0"

DETAIL 3-30
SCALE: 1/2" = 1'-0"



DETAIL 4-25
SCALE: 1" = 1'-0"

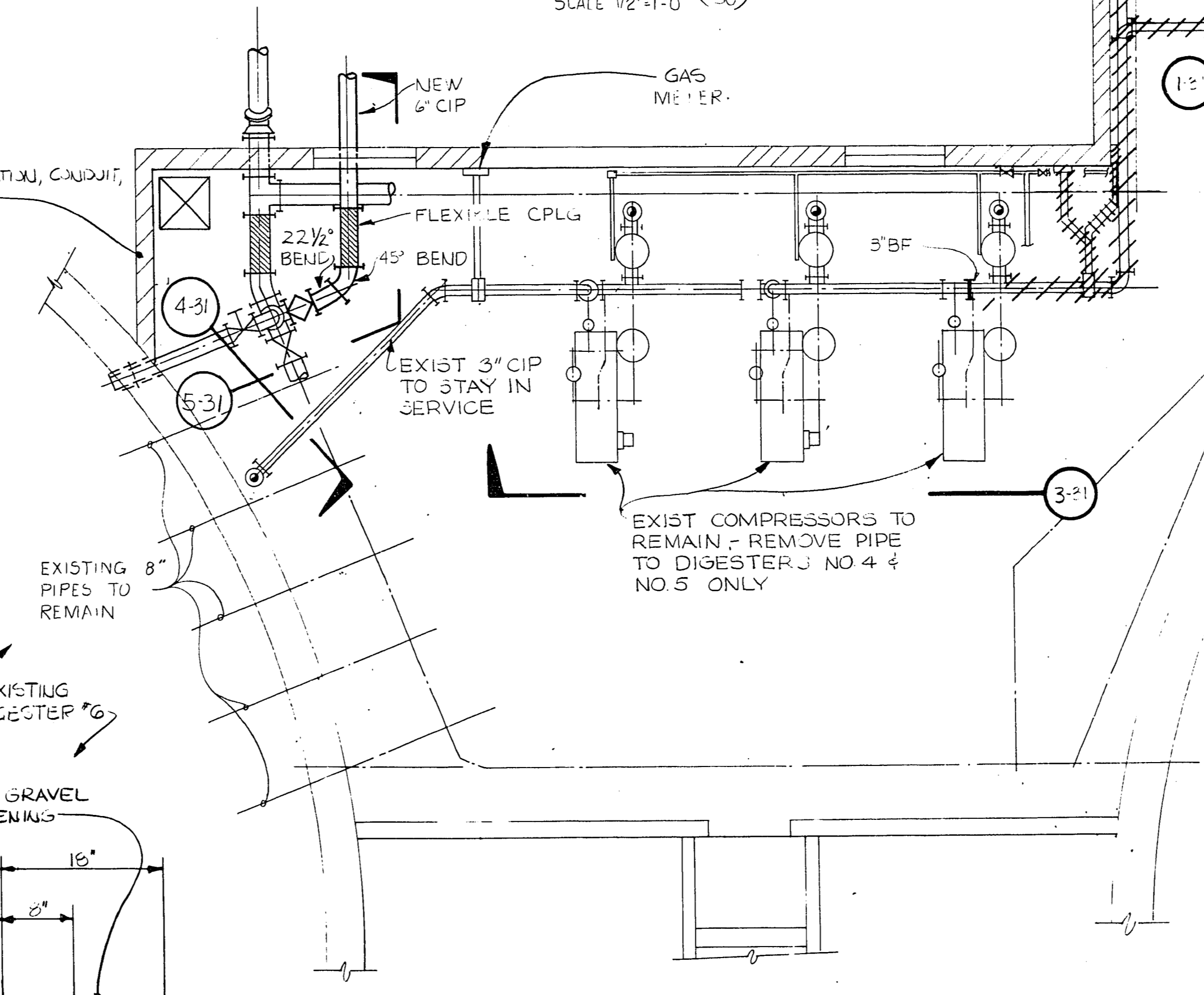


SECTION 3-30
SCALE: 1/8" = 1'-0"

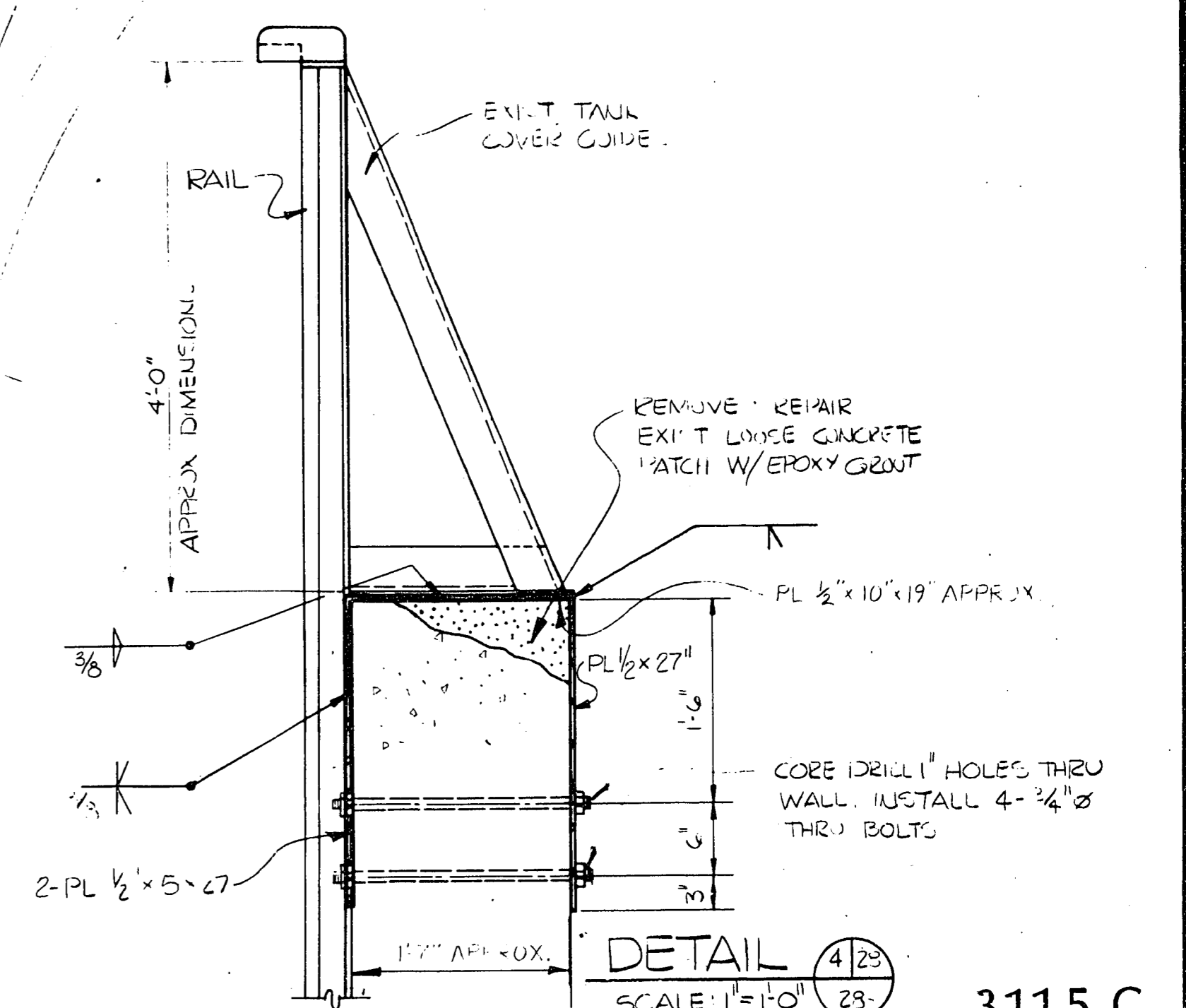
DETAIL 1-30
SCALE: 1/4" = 1'-0"

DETAIL 3-30
SCALE: 1" = 1'-0"

TYP. ROOF REPAIR DETAIL 4-31
SCALE: 1" = 1'-0"



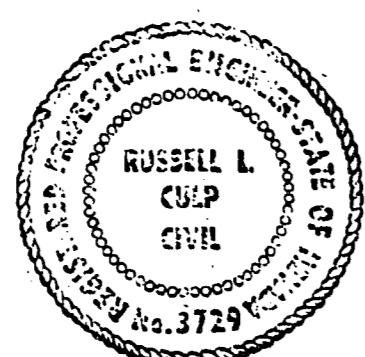
**FLOOR PLAN
EXIST DIGESTER PUMP ROOM
PLANT NO 2**
SCALE: 4" = 1'-0"



DETAIL 4-25
SCALE: 1" = 1'-0"

311.5 C

NO.	BY	REVISION	DATE
1	WFO	AS BUILT	8-11-82
2	WFO	CHANGE ORDER #2	11-21-80
3	WFO	BULLETIN NO. 1 FOR PRICING	11-5-80
4	PLC	REVIEW CORRECTIONS & UPDATING	7-8-80



Designed WFO PROJECT NO. 276
 Drawn GES, RRL
 Checked WFO DATE JULY 28, 1980
 Approved Russell L. Culp



CULP/WESNER/CULP
 EL DORADO HILLS, CALIFORNIA
 SANTA ANA, CALIFORNIA

CITY OF LAS VEGAS, NEVADA
 WASTEWATER TREATMENT PLANT
 EXPANSION - CONTRACT NO. 5
 MODIFICATION OF
 SECONDARY SETTLING BASINS,
 DIGESTERS, LABORATORY
 AND CHLORINATION FACILITIES

DIGESTER MODIFICATIONS
 DIGESTER NO. 6

SHEET
30
 OF 40

CONFORMS TO CONSTRUCTION RECORDS

3-1-31