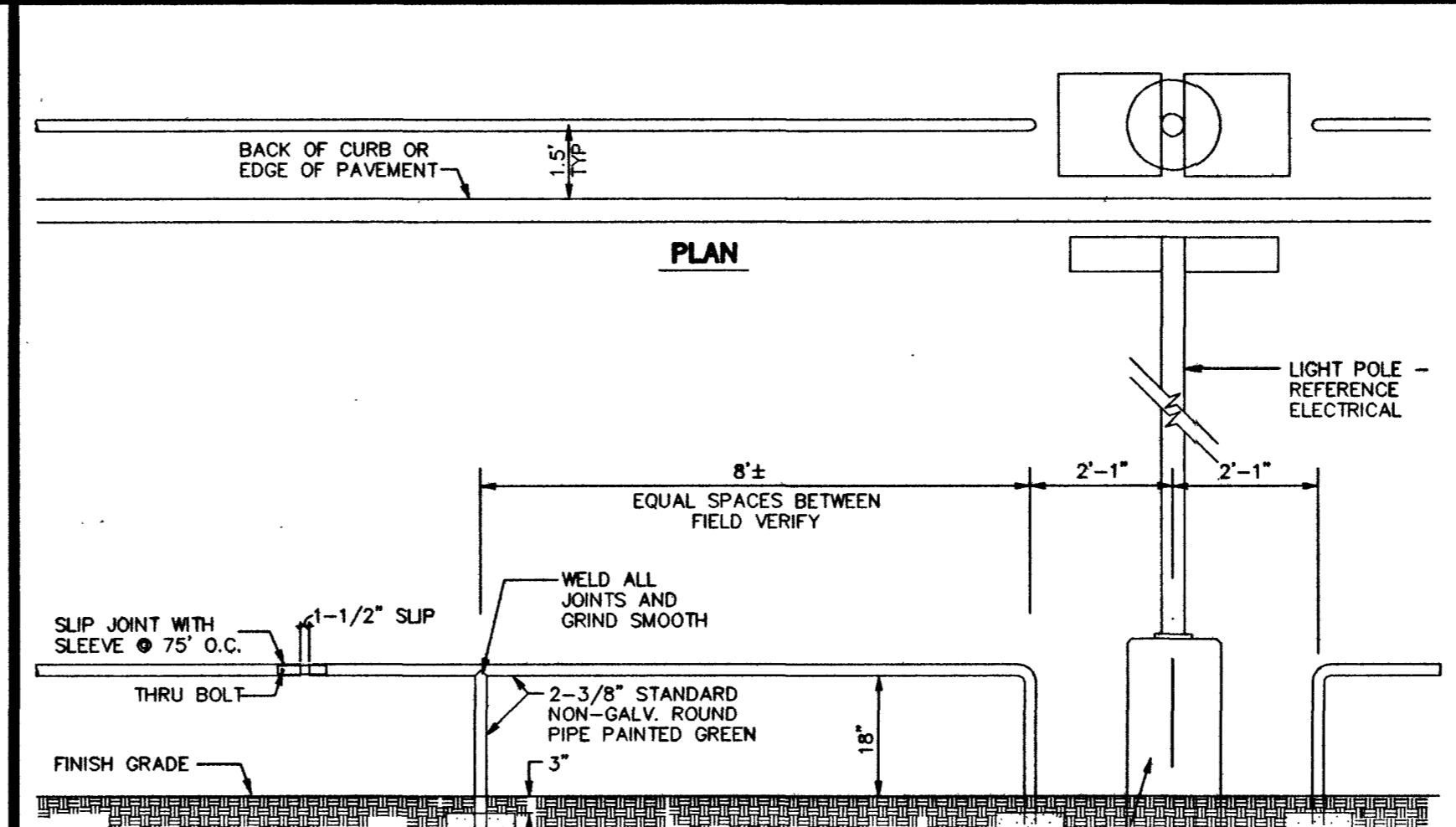


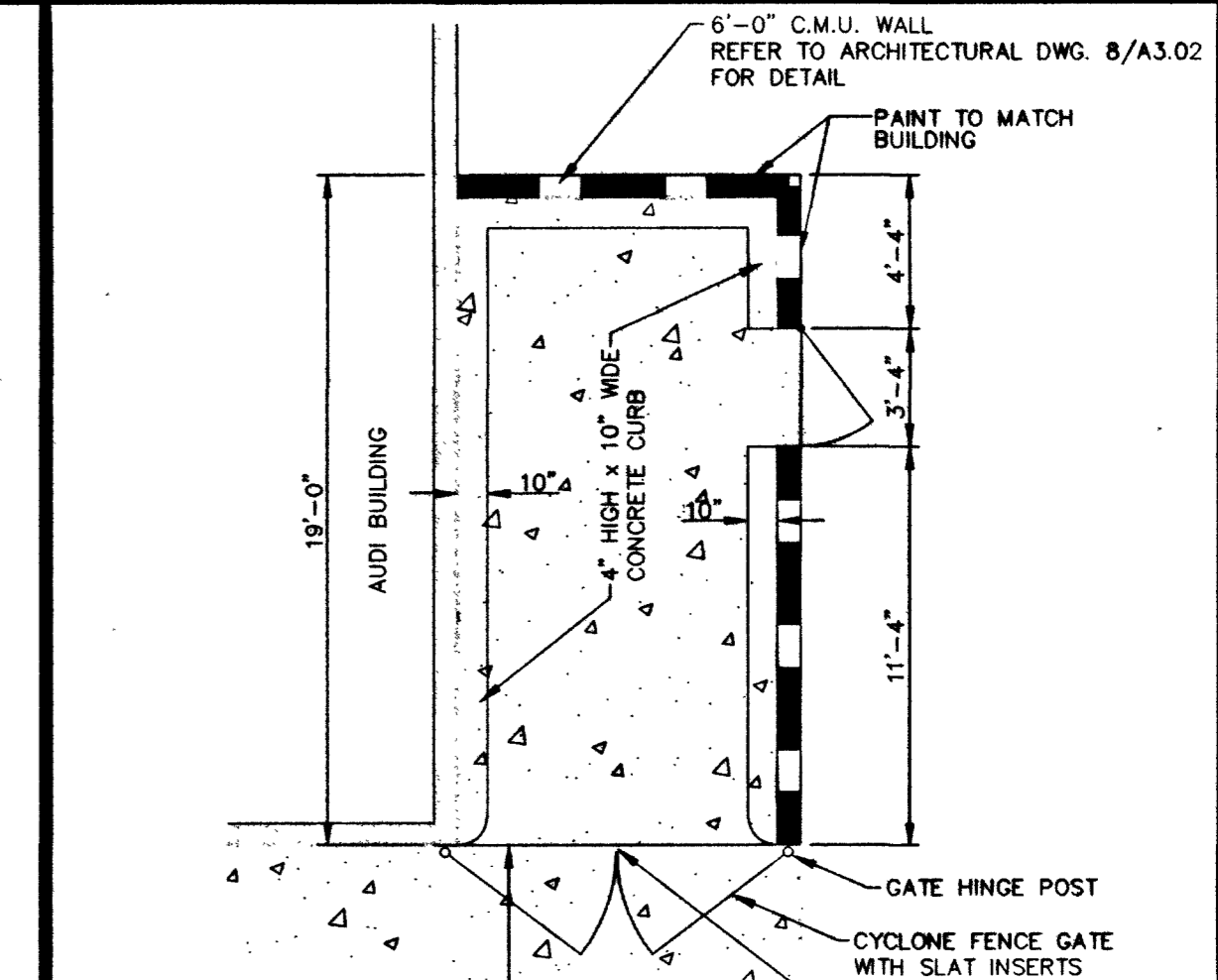
1 CHAIN LINK FENCE SECTION
NOT TO SCALE

DETAIL NOTES:
 1. REFER TO SITE PLAN FOR FENCE LOCATIONS.
 2. MAXIMUM SPACING BETWEEN PULL POST AND/OR CORNER POST IS 300'.
 3. 10' MAX. SPACING BETWEEN LINE POSTS. SEE SPECIFICATIONS FOR POST SIZES.
 4. THE AREA UNDER THE FENCE SHALL BE GRADED TO A SMOOTH AND UNIFORM GRADE WHICH WOULD ALLOW FOR A MAXIMUM OF 2" BETWEEN THE BOTTOM OF THE FENCE FABRIC AND THE GROUND.
 5. LINE POST MAY BE DRIVEN IN LIEU OF CONCRETE PIER AS A BID ALTERNATE.
 6. FENCE SHALL BE COATED WITH BLACK VINYL.

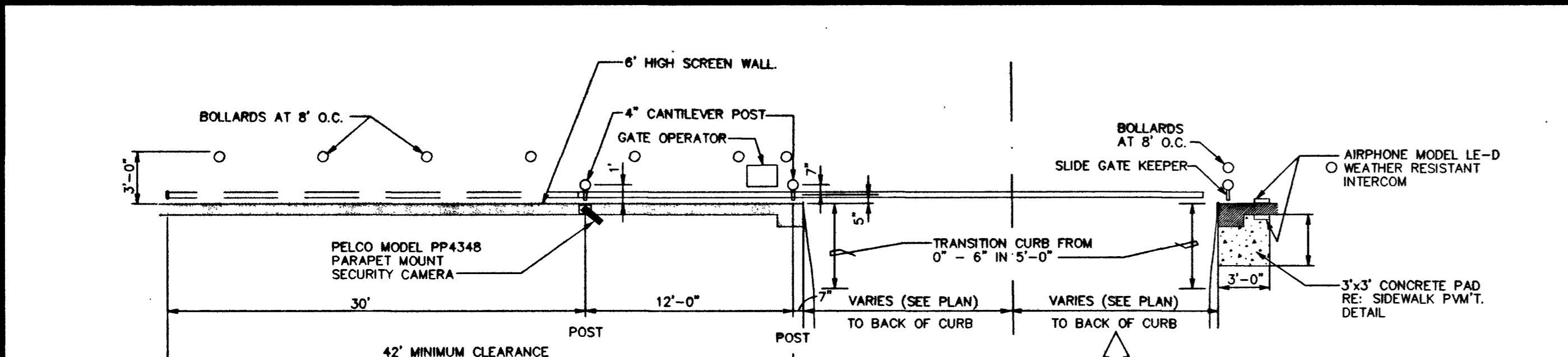
CHAIN LINK FENCE DETAIL
NOT TO SCALE



PIPE RAIL DETAIL
NOT TO SCALE

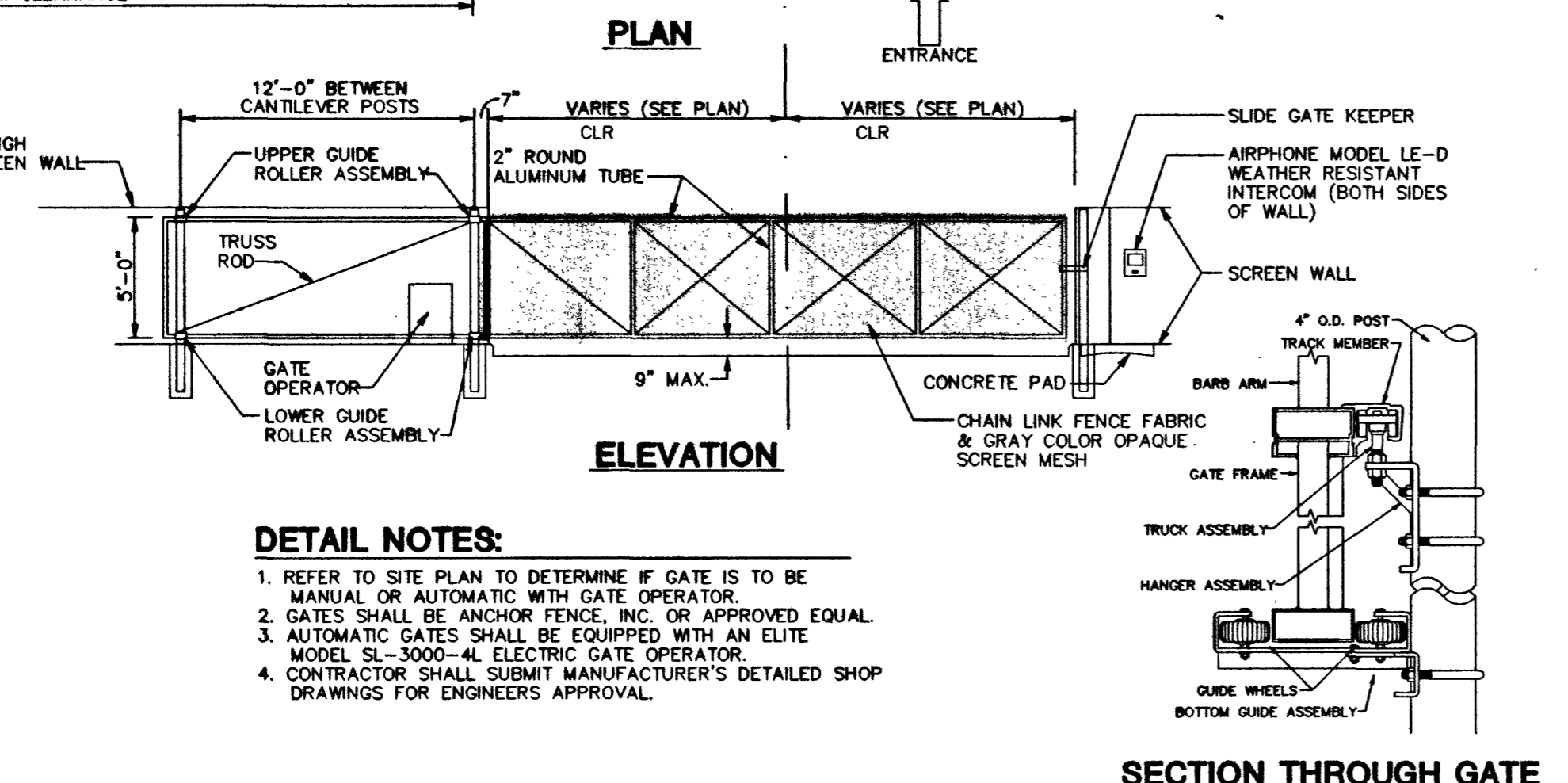


TRASH ENCLOSURE DETAIL
NOT TO SCALE

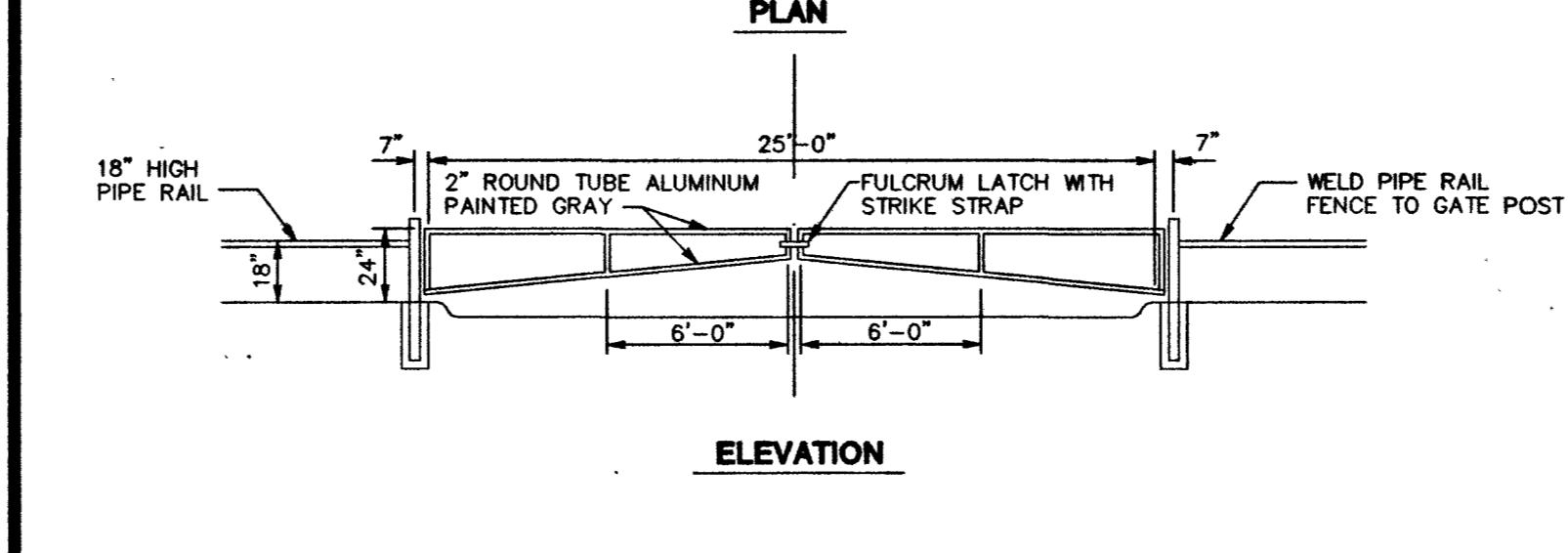
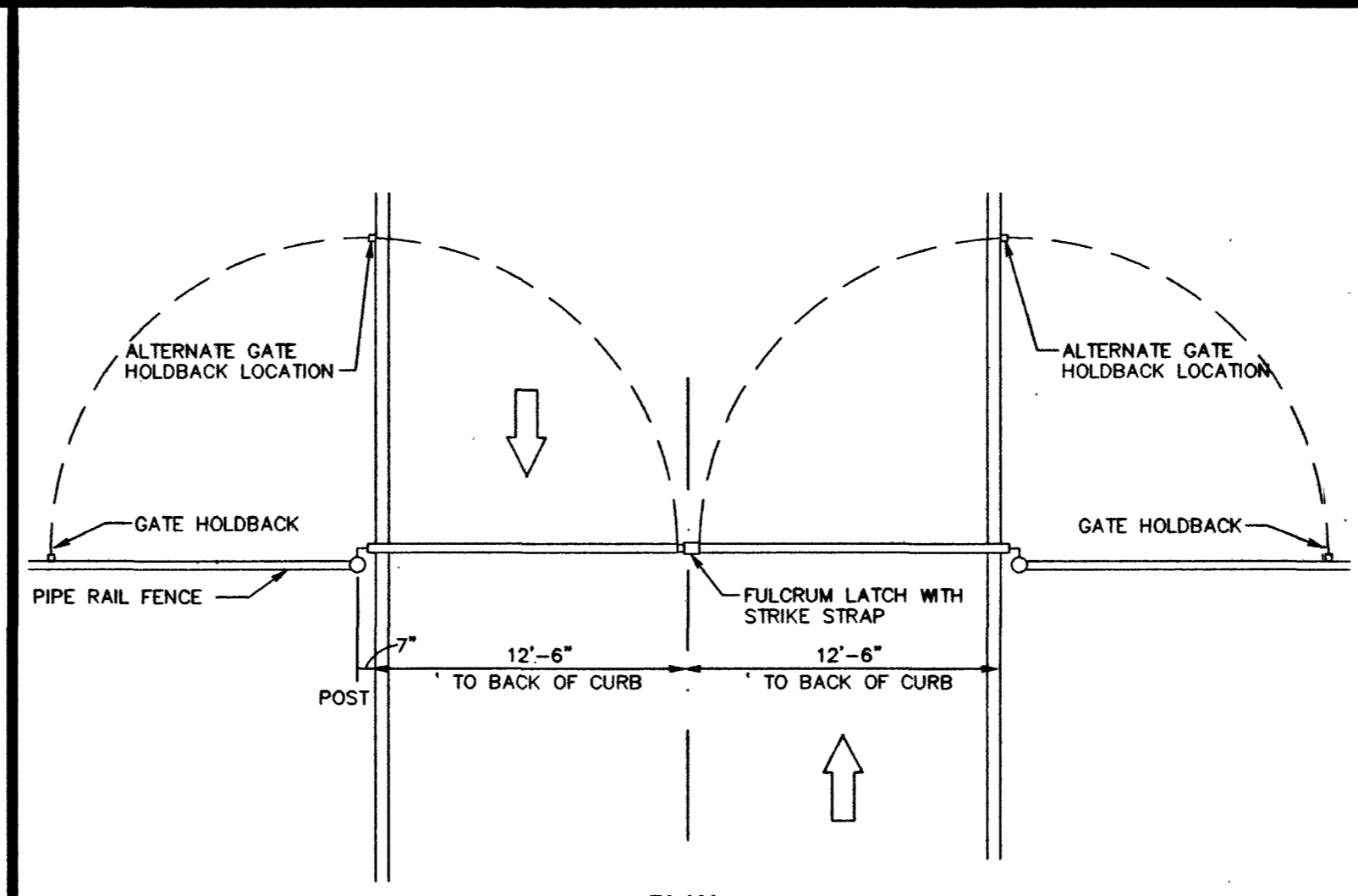


CANTILEVER SLIDE GATE OPENINGS FOR CSD & CSDA TYPES

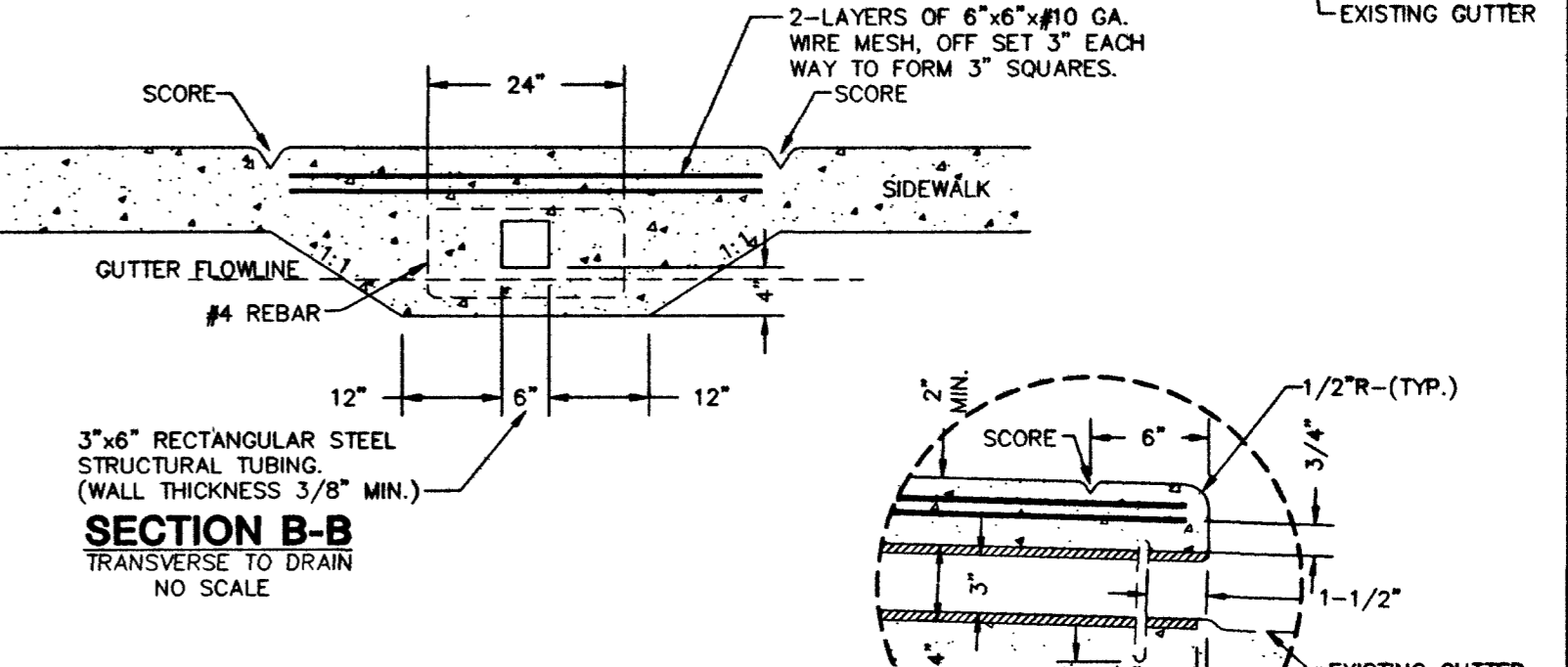
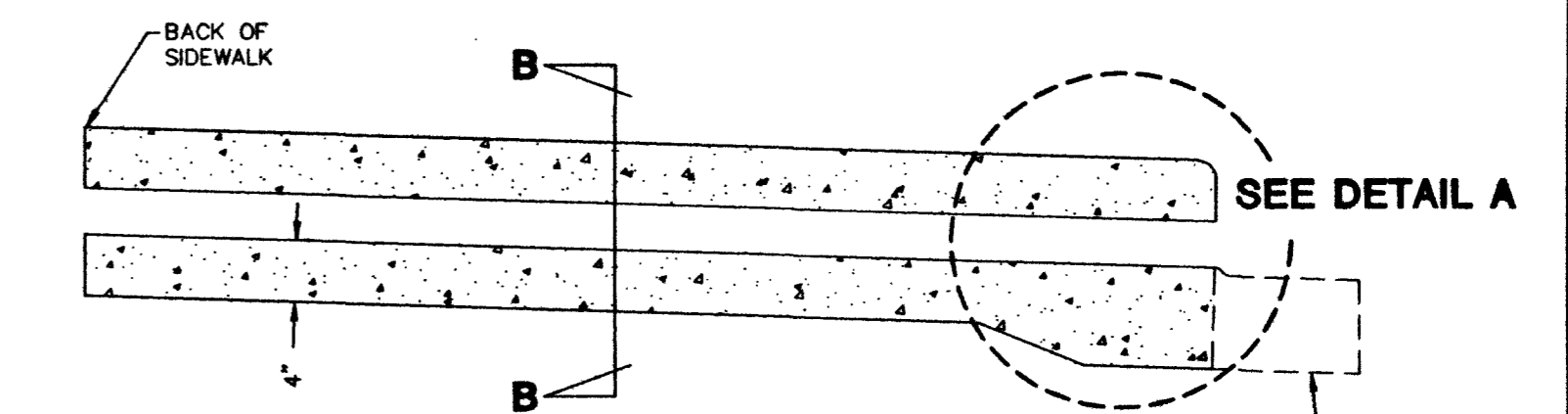
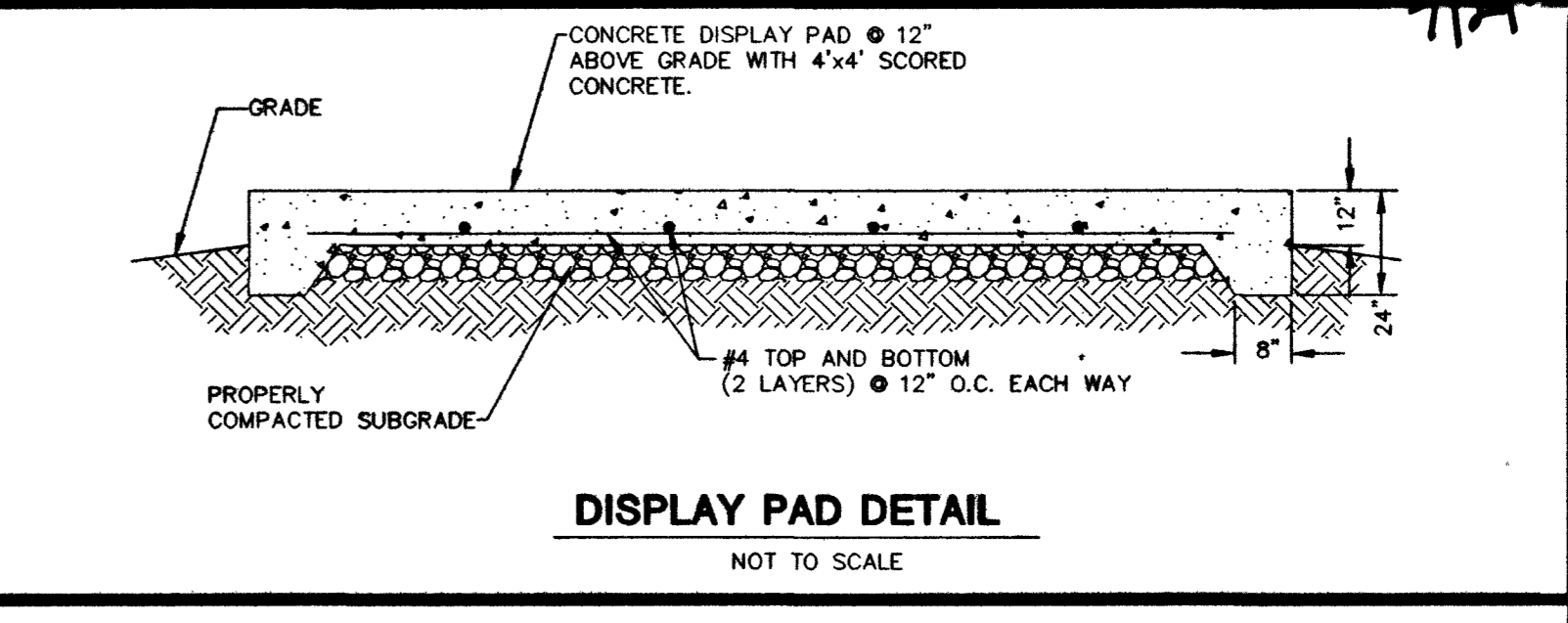
SINGLE GATE OPENING	DOUBLE GATE OVERHANG POST B	DOUBLE GATE OVERHANG POST D
8'-0"	12'-0"	12'-0"
9'-0"	13'-0"	13'-0"
10'-0"	14'-0"	14'-0"
11'-0"	15'-0"	15'-0"
12'-0"	16'-0"	16'-0"
13'-0"	17'-0"	17'-0"
14'-0"	18'-0"	18'-0"
15'-0"	19'-0"	19'-0"
16'-0"	20'-0"	20'-0"
17'-0"	21'-0"	21'-0"
18'-0"	22'-0"	22'-0"
19'-0"	23'-0"	23'-0"
20'-0"	24'-0"	24'-0"
21'-0"	25'-0"	25'-0"
22'-0"	26'-0"	26'-0"
23'-0"	27'-0"	27'-0"
24'-0"	28'-0"	28'-0"
25'-0"	29'-0"	29'-0"
26'-0"	30'-0"	30'-0"
27'-0"	31'-0"	31'-0"
28'-0"	32'-0"	32'-0"
29'-0"	33'-0"	33'-0"
30'-0"	34'-0"	34'-0"



AUTOMATIC/MANUAL CHAIN LINK SLIDING GATE DETAIL
NOT TO SCALE

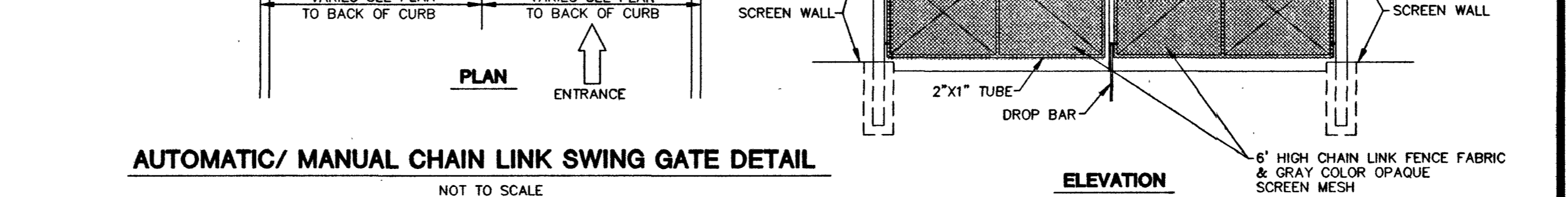
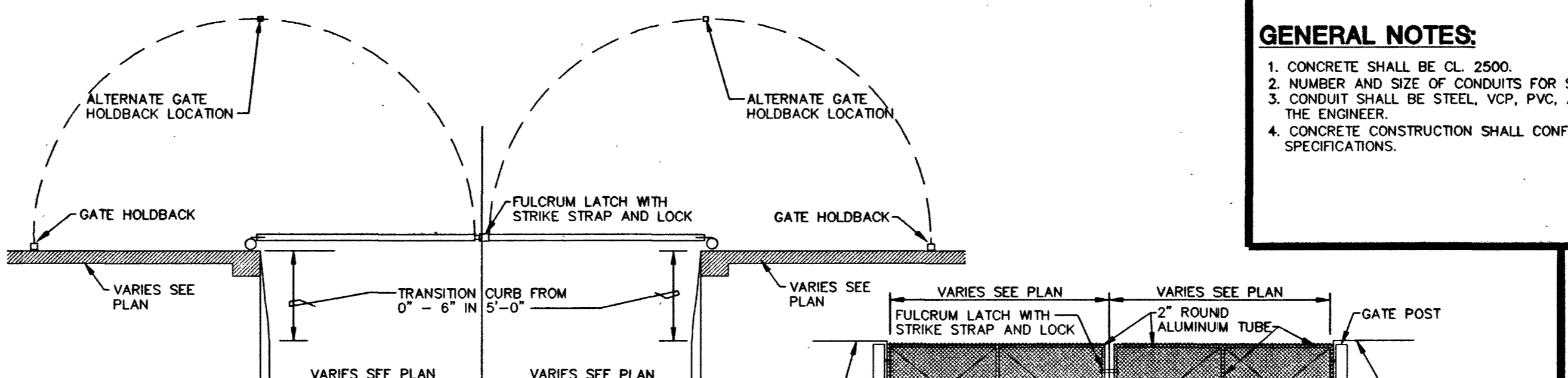
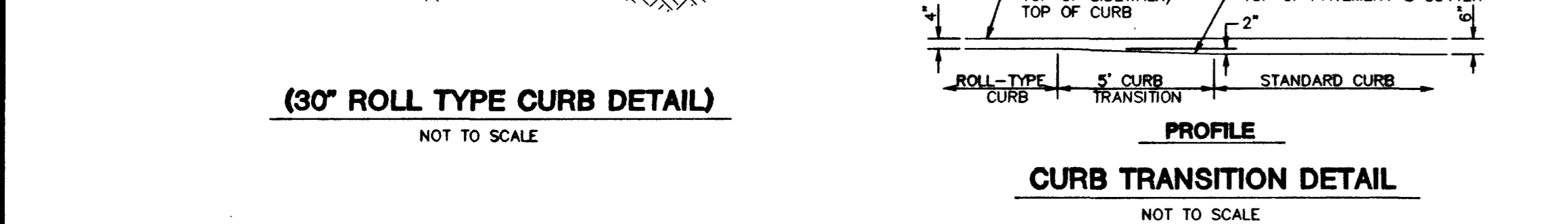
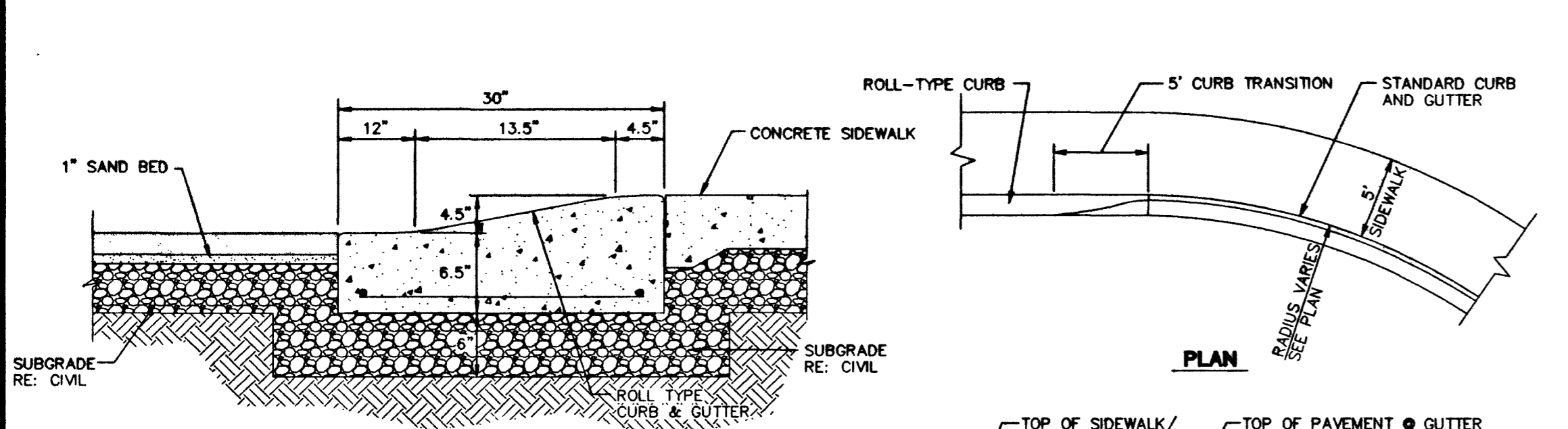


2' HIGH DOUBLE SWING BARRIER GATE DETAIL
NOT TO SCALE

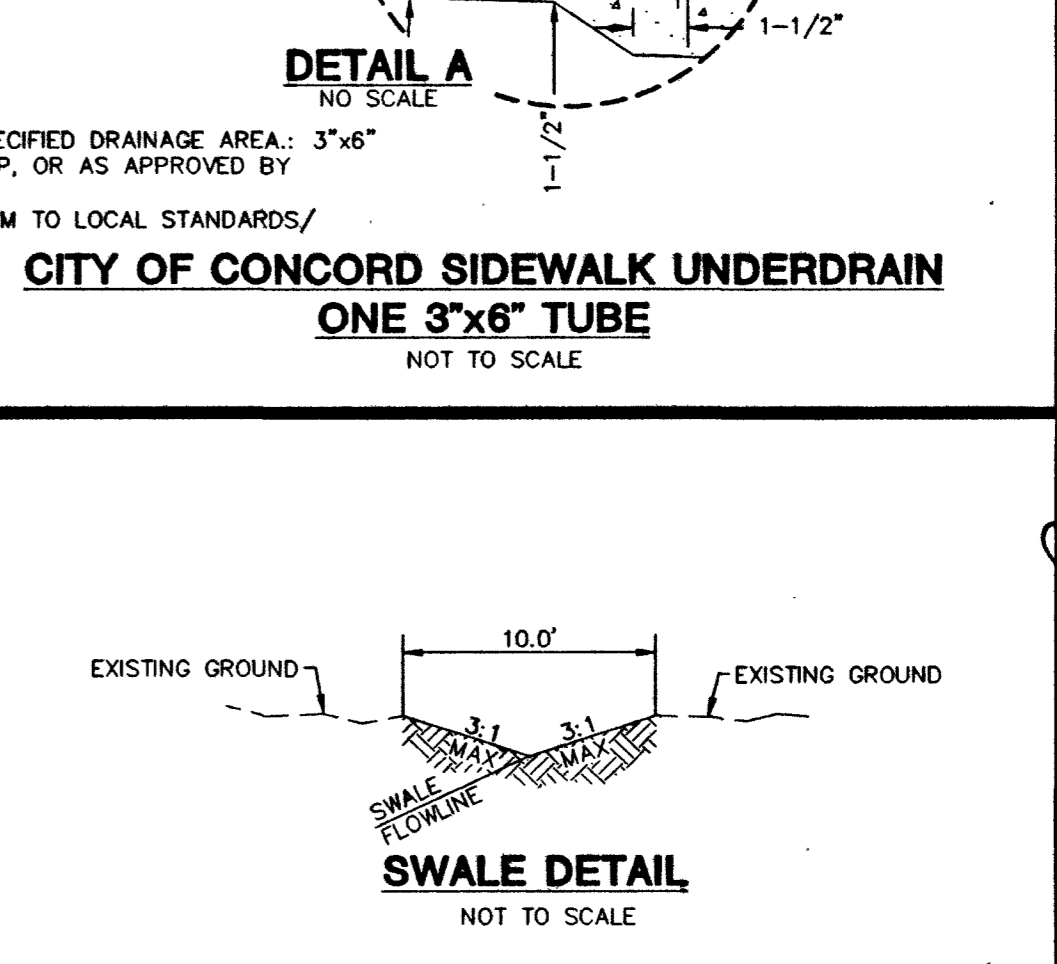


GENERAL NOTES:
 1. CONCRETE SHALL BE CL 2500.
 2. NUMBER AND SIZE OF CONDUITS FOR SPECIFIED DRAINAGE AREA: 3"x6"
 3. CONDUIT SHALL BE STEEL, VCP, PVC, ACP, OR AS APPROVED BY THE ENGINEER.
 4. CONCRETE CONSTRUCTION SHALL CONFORM TO LOCAL STANDARDS/SPECIFICATIONS.

CITY OF CONCORD SIDEWALK UNDERDRAIN ONE 3"x6" TUBE
NOT TO SCALE



AUTOMATIC/MANUAL CHAIN LINK SWING GATE DETAIL
NOT TO SCALE



SWALE DETAIL
NOT TO SCALE

AutNation
6655 Bermuda Road
Las Vegas, NV 89119
(702) 938-5400 Fax (702) 938-5454

Cartier :: Burgess
Consultants in Planning, Engineering, Construction Management, and Related Services

Desert Audi

DETAIL SHEET

DRAWN BY: P. DARRAGH
DESIGNED BY: P. DARRAGH
CHECKED BY: J. SHIELDS
PROJECT NO.: 290893

6.27.03
6.27.03
6.27.03

SCALE: N/A
HORIZ. VERT.

ENGINEER - STATE
JOHN A. BIELER
No. 10171

SHEET C-14
14 OF 14 SHEETS
DRAWING NO. 307V 843
HTE# 03-17490