

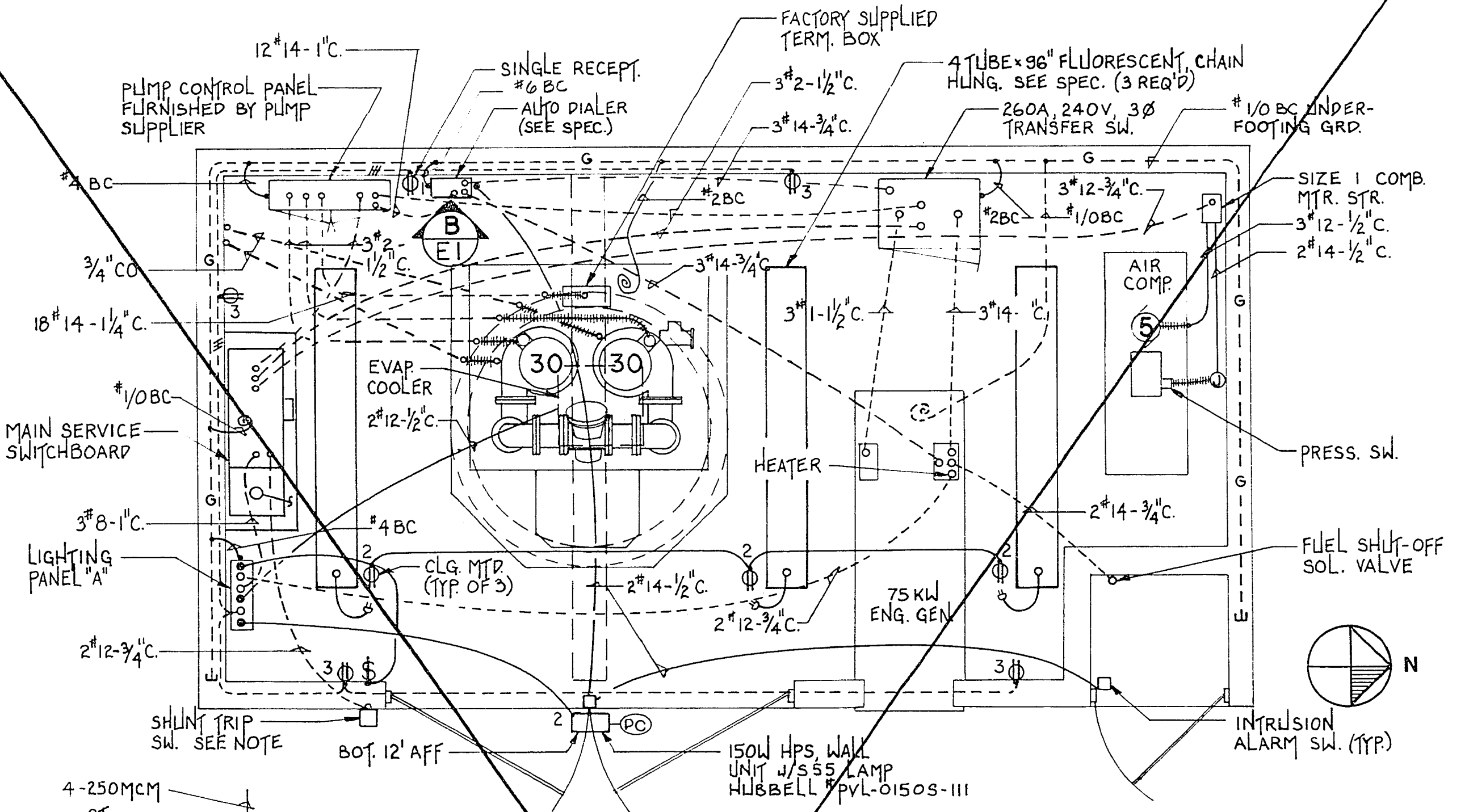
JOB NO. 412.150

9/78 DIETRICH-POST 6330

LEGEND
 OVERHEAD CONDUIT
 BURIED CONDUIT

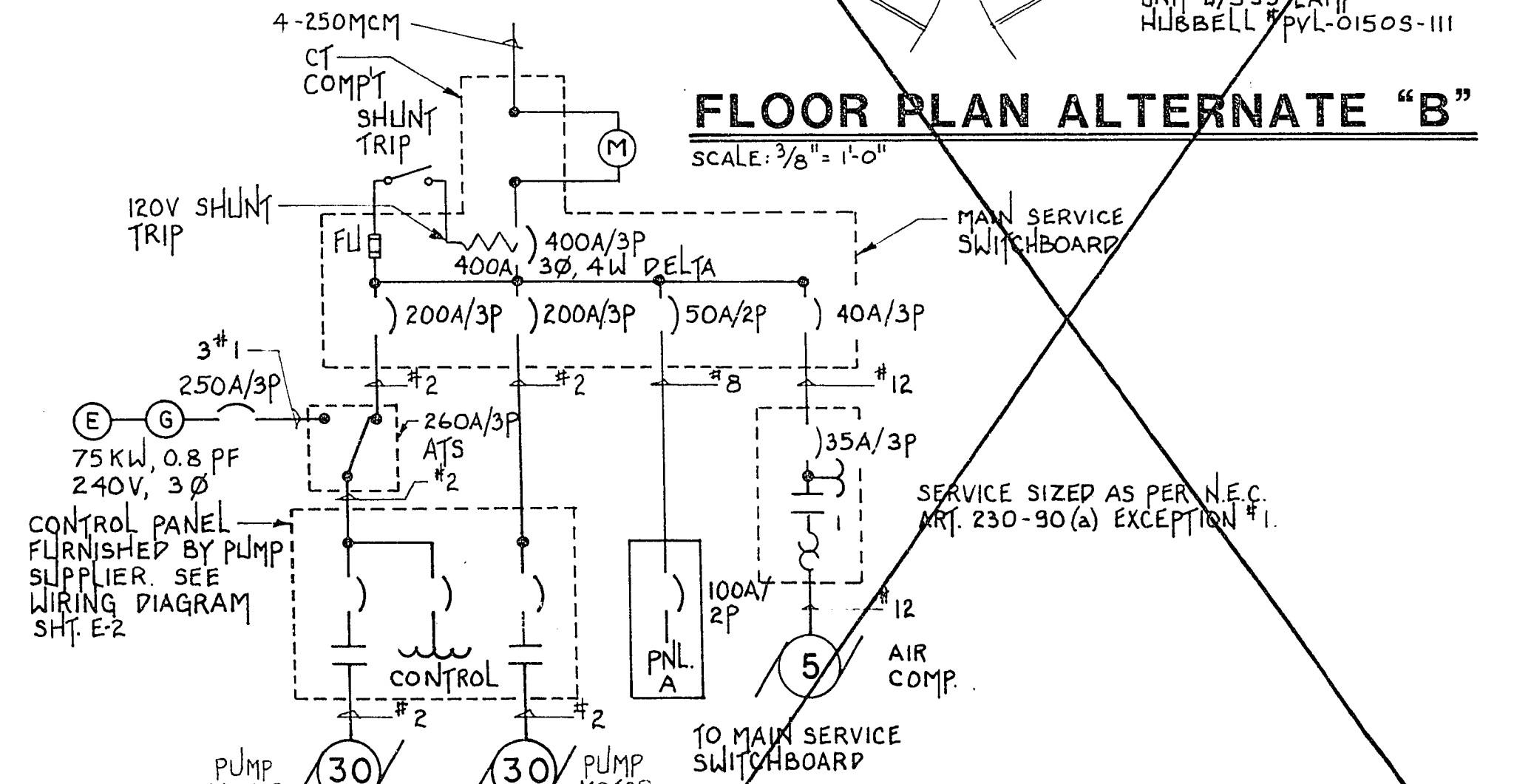
NOTE:
 SHUNT TRIP SW., ASCO #124300 MTD. IN BOX. BOX SHALL BE 12 GAGE STEEL. ALL WELDED CONSTRUCTION WITH FILLET WELDED HASP FOR PADLOCKING-PAINT RED.

EACH PVC CONDUIT SHALL CONTAIN A NEC SIZED GREEN GROUNDING CONDUCTOR IN ADDITION TO CONDUCTORS SPECIFIED.

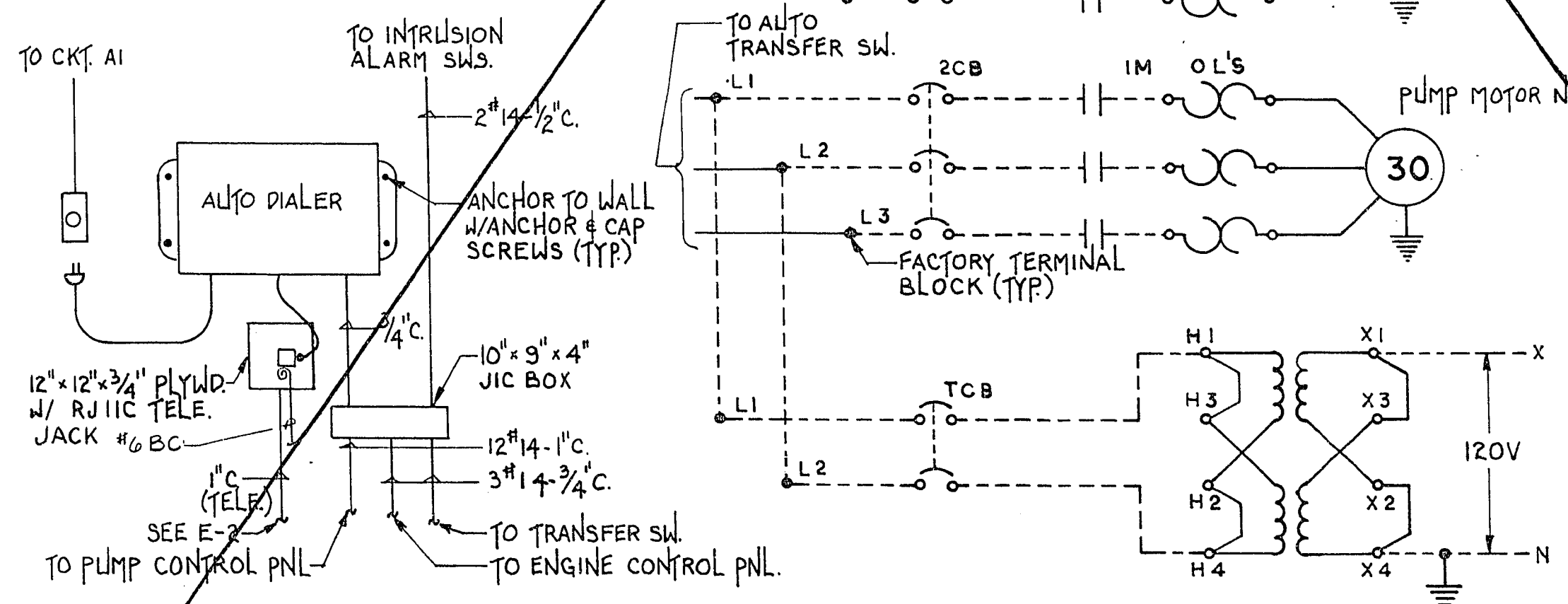


FLOOR PLAN ALTERNATE "B"
 SCALE: 3/8" = 1'-0"

PANEL A			
120/240V, 1Ø-3Ø, 100A MCB, SURFACE MTD.			
CKT.	BKR.	DESCRIPTION	VA
1	15A/1P	Auto-Dialer Rec.	15
2	20A/1P	Ltg.	1009
3	20A/1P	Rec.-Convenience	720
4	20A/2P	Fut. Street Ltg.	292
5	15A/2P	Engine Jacket Heat	2000
6	20A/1P	Evap. Cooler	1200
7	20A/1P	Battery Charger	360
8	20A/1P	Spare	---
9-12	---	Space	---
Lighting = 1301VA x 1.25 = 1626VA			
Remainder =			4295VA
			5921VA
			÷ 240V = 24.7 AMPS.



WIRING DIAGRAM
 SCALE: NONE



ELEVATION B
 SCALE: NONE



WIRING DIAGRAM
 SCALE: NONE

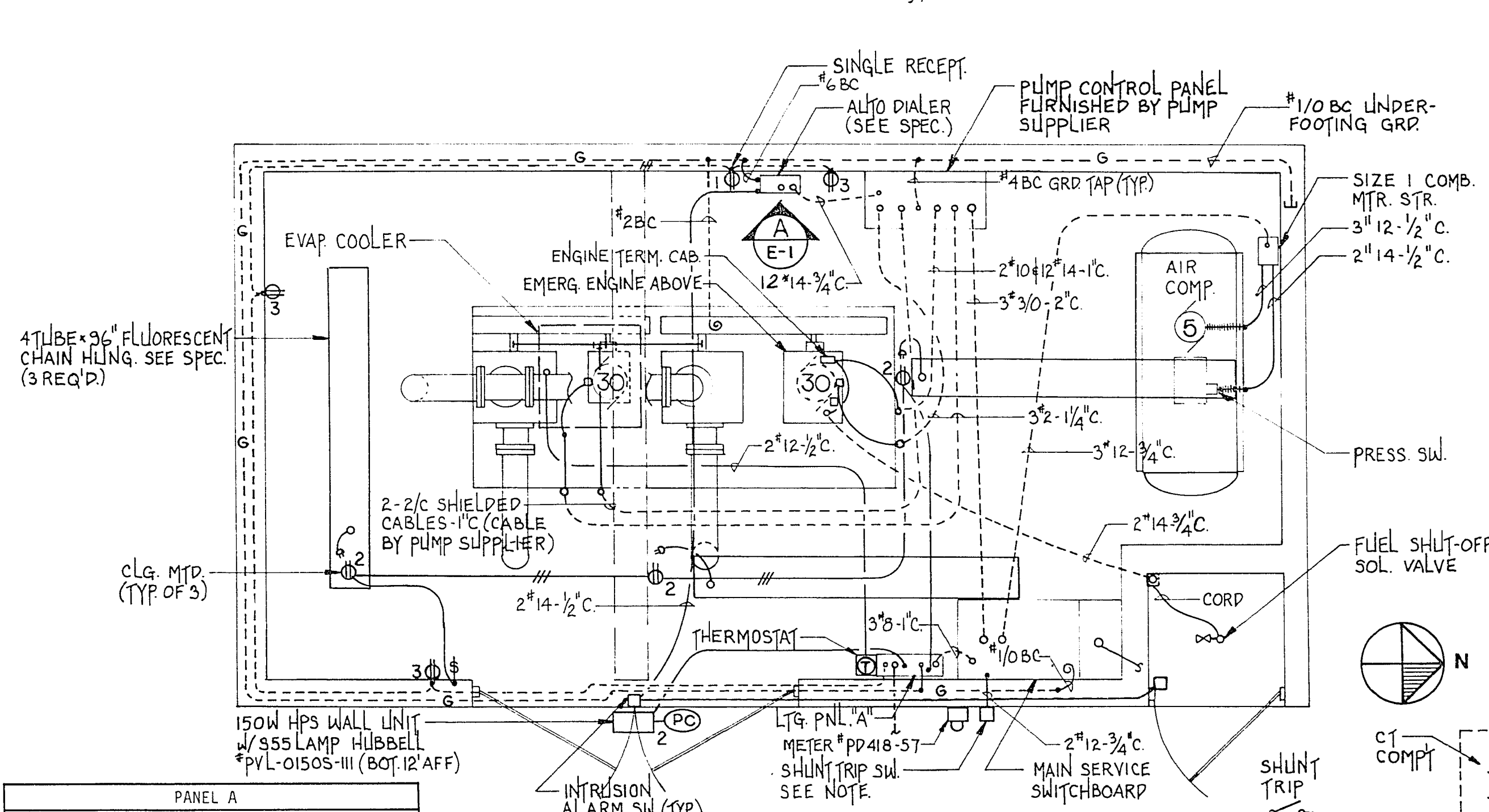
ALTERNATE "B" NOT ACCEPTED

LEGEND
 FIELD WIRING
 FACTORY WIRING

LEGEND
 OVERHEAD CONDUIT
 BURIED CONDUIT

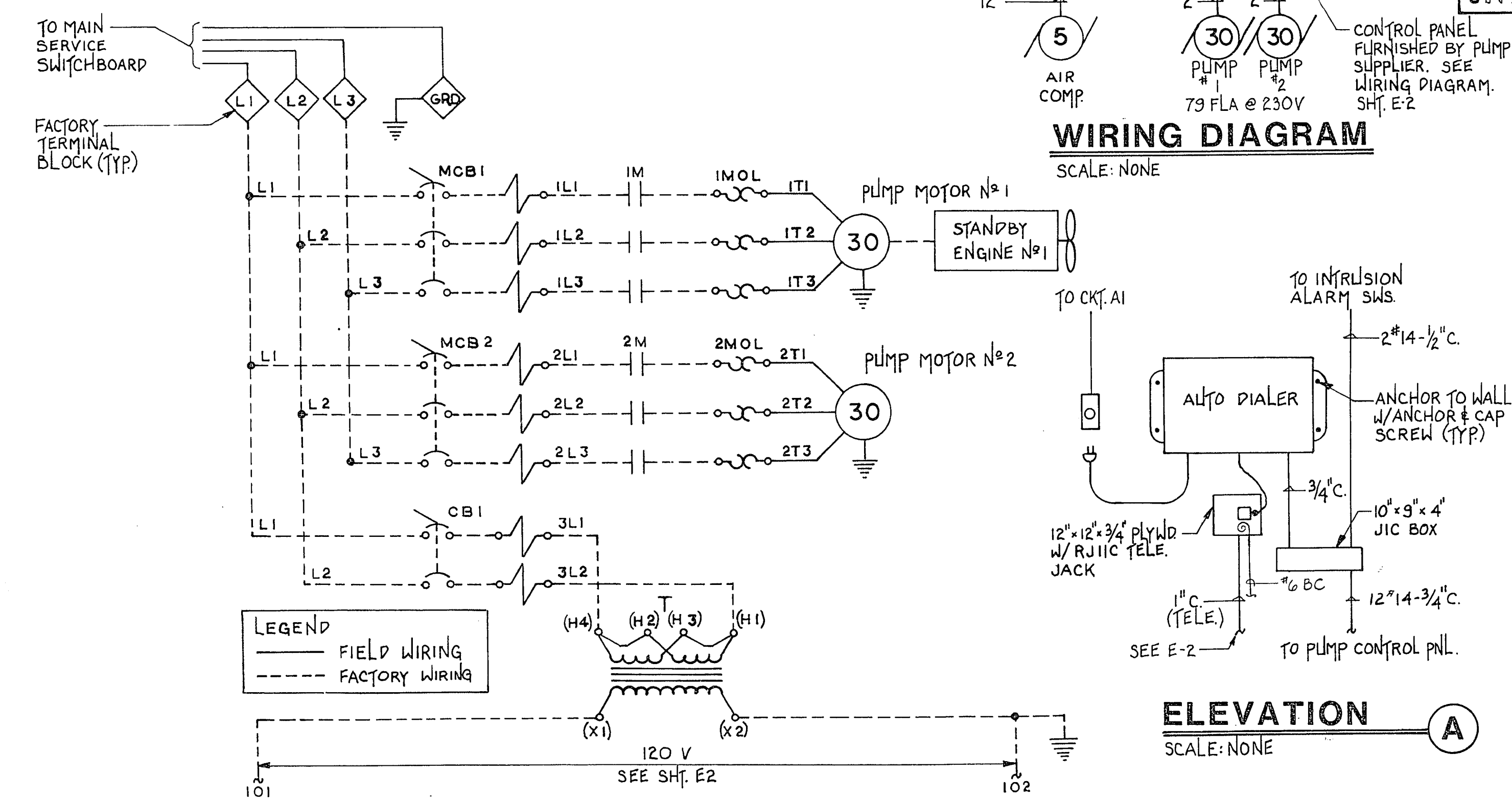
NOTE:
 SHUNT TRIP SW., ASCO #124300 MTD. IN BOX. BOX SHALL BE 12 GAGE STEEL. ALL WELDED CONSTRUCTION WITH FILLET WELDED HASP FOR PADLOCKING-PAINT RED.

EACH PVC CONDUIT SHALL CONTAIN A NEC SIZED GREEN GROUNDING CONDUCTOR IN ADDITION TO CONDUCTORS SPECIFIED.



FLOOR PLAN ALTERNATE "A"
 SCALE: 3/8" = 1'-0"

PANEL A			
120/240V, 1Ø-3Ø, 100A MCB, SURFACE MTD.			
CKT.	BKR.	DESCRIPTION	VA
1	15A/1P	Auto-Dialer Rec.	15
2	20A/1P	Ltg.	1009
3	20A/1P	Rec.-Convenience	540
4	20A/2P	Fut. Street Ltg.	292
5	20A/1P	Evap. Cooler	1200
6	20A/1P	Spare	---
7-12	---	Space	---
Lighting = 1301VA x 1.25 = 1626VA			
Remainder =			1755VA
			3381VA
			÷ 240V = 14.1 AMPS



WIRING DIAGRAM
 SCALE: NONE

LEGEND
 FIELD WIRING
 FACTORY WIRING

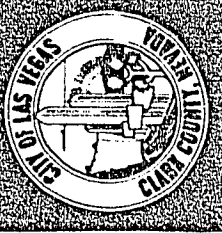
WIRING DIAGRAM
 SCALE: NONE

AS BUILT

Williams
 Kanwar
 Cohen
 Las Vegas, Nevada

G.C. WALLACE
 Consulting Engineers, Inc.
 1555 S. Rainbow Blvd., Las Vegas, Nevada 89102-363-1200

CITY OF LAS VEGAS
 DURANGO DRIVE LIFT STATION
 FLOOR PLAN & WIRING DIAGRAMS



SHEET
 1-1
 OF 15 SHEETS

29-115

307-V578