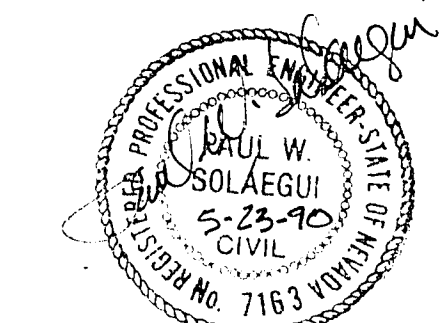
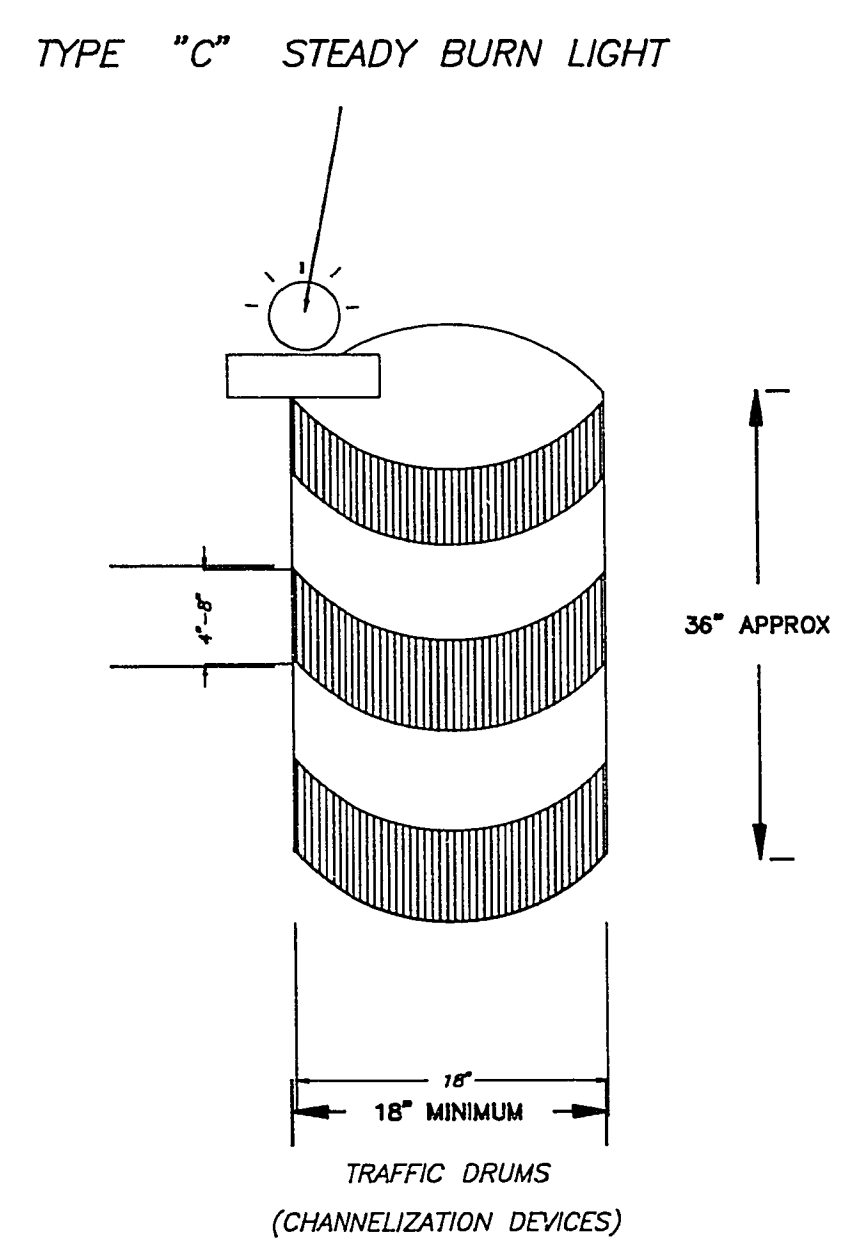
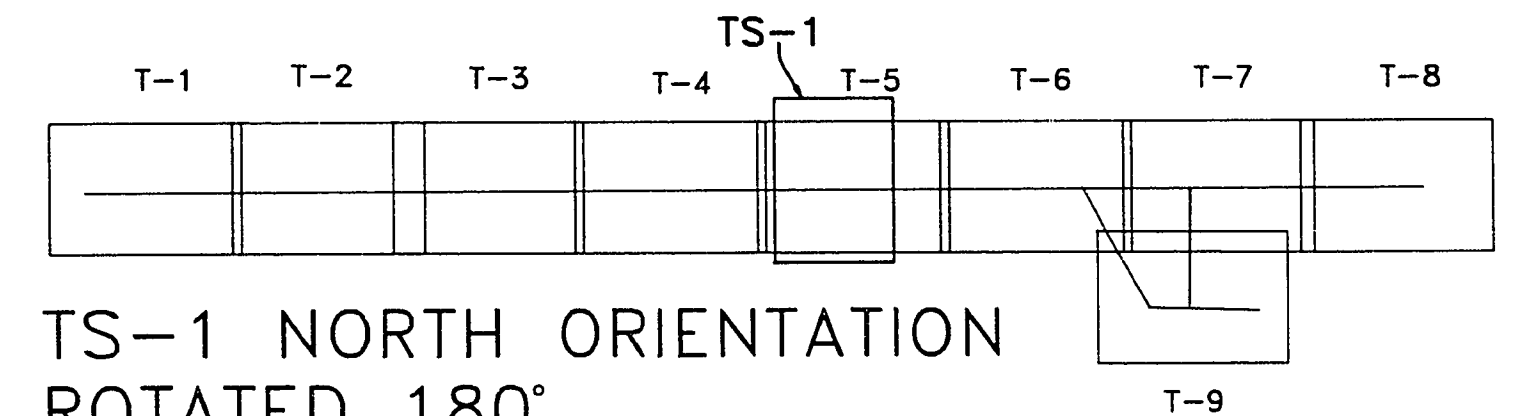
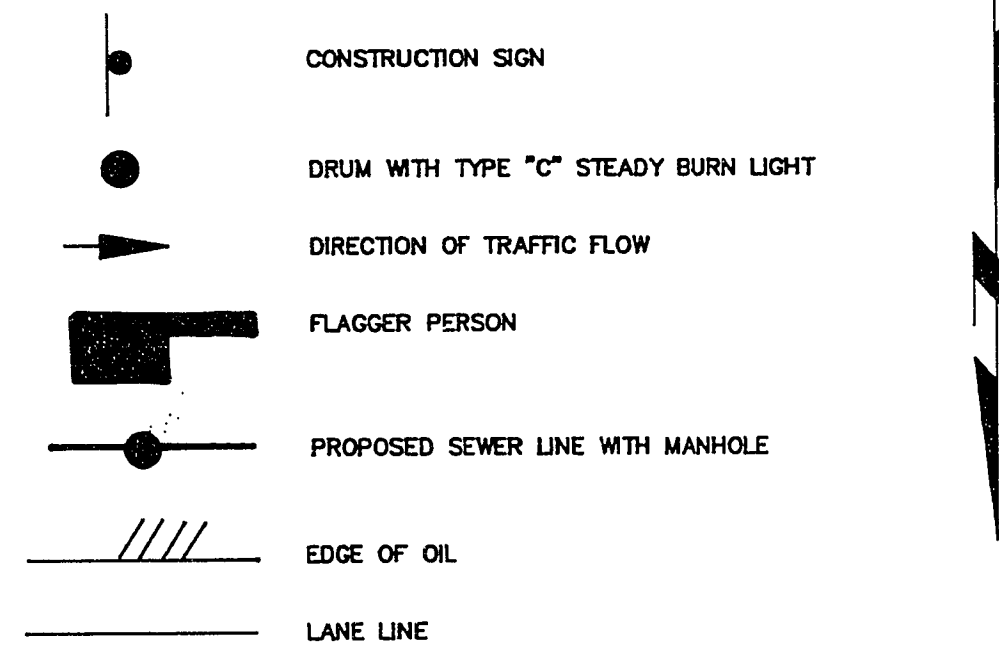
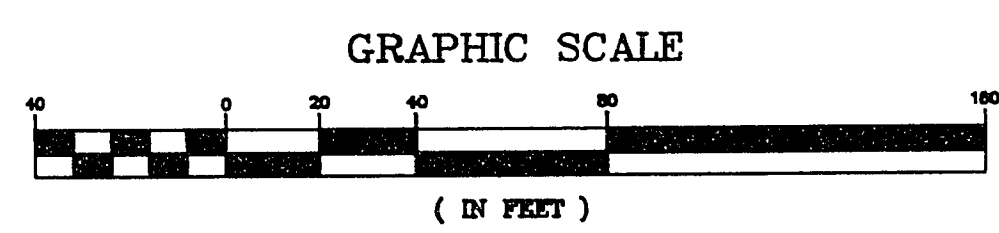


DATE	JOB No.
REVISIONS	89124
BY	DRAWN BY:
	CHK BY:
	DATE:
	APR 30, 1990
	SHEET No. 13
	T-2
	OF 22



21-1-19 307-V554-2

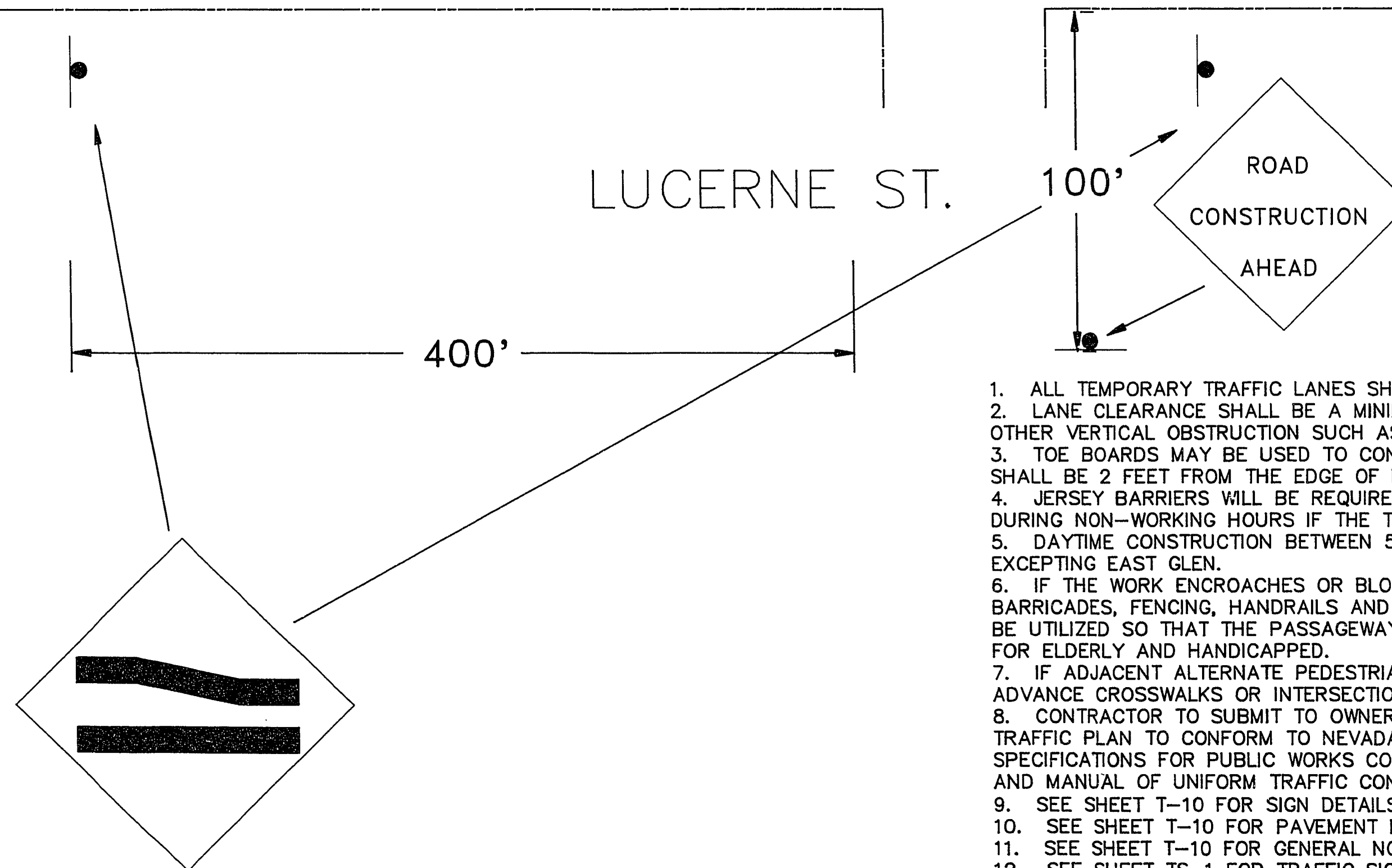
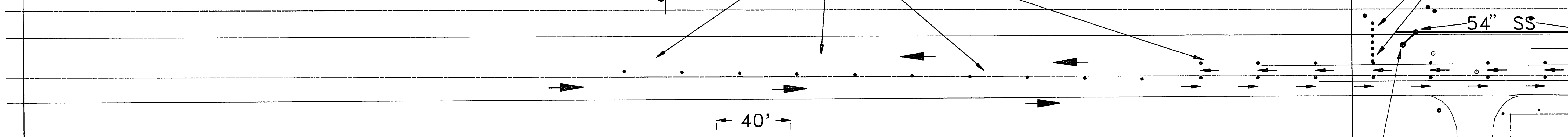


MATCH LINE "B B"
 SEE SHEET T-3

SEVEN DRUMS
 5' O.C. WITH
 TYPE "A" LOW
 INTENSITY FLASHING
 WARNING LIGHTS
 AROUND CONSTRUCTION

TRAFFIC DRUMS WITH TYPE "C" STEADY BURN LIGHTS - SPACED AT 45' O.C. TAPER LENGTH 540'

SEE SHEET T-1
 MATCH LINE "A A"



E. SAHARA AVE.

ARDEN ST.

0+00 MH #1

NOTES:

1. ALL TEMPORARY TRAFFIC LANES SHALL BE A MINIMUM OF 10 FEET WIDE.
2. LANE CLEARANCE SHALL BE A MINIMUM OF 5 FEET FROM AN OPEN EXCAVATION AND 2 FEET FROM A CURB OR OTHER VERTICAL OBSTRUCTION SUCH AS POSTS OR POLES.
3. TOE BOARDS MAY BE USED TO CONTAIN THE SPOILS AND BACKFILL MATERIAL BANK AT ITS BASE. TOE BOARDS SHALL BE 2 FEET FROM THE EDGE OF EXCAVATION AND 2 FEET FROM THE EDGE OF THE TRAFFIC LANE.
4. JERSEY BARRIERS WILL BE REQUIRED IF THE TRAVEL LANE IS LESS THAN 5 FEET FROM OPEN EXCAVATION AND DURING NON-WORKING HOURS IF THE TRENCH IS LEFT OPEN.
5. DAYTIME CONSTRUCTION BETWEEN 5:30 AM AND 9:00 PM REQUIRES TWO TRAVEL LANES IN EACH DIRECTION EXCEPTING EAST GLEN.
6. IF THE WORK ENCLOSES OR BLOCKS A PEDESTRIAN SIDEWALK, WALKWAY OR CROSSWALK, THEN PROTECTIVE BARRICADES, FENCING, HANDRAILS AND BRIDGES TOGETHER WITH WARNING AND GUIDANCE DEVICES AND SIGNS SHALL BE UTILIZED SO THAT THE PASSAGEWAY FOR PEDESTRIANS IS A MINIMUM OF 4 FEET WIDE, WELL DEFINED AND SAFE FOR ELDERLY AND HANDICAPPED.
7. IF ADJACENT ALTERNATE PEDESTRIAN WALKWAYS CANNOT BE PROVIDED, SIGNING SHALL BE POSTED AT THE NEAREST ADVANCE CROSSWALKS OR INTERSECTION TO DIVERT PEDESTRIANS ACROSS THE STREET.
8. CONTRACTOR TO SUBMIT TO OWNER A TRAFFIC CONTROL PLAN FOR EACH DAY'S WORK (24 HOUR PERIOD), TRAFFIC PLAN TO CONFORM TO NEVADA WORK ZONE TRAFFIC CONTROL HANDBOOK 1986 EDITION, UNIFORM STANDARD SPECIFICATIONS FOR PUBLIC WORKS CONSTRUCTION OFF-SITE IMPROVEMENTS, CLARK COUNTY AREA, NEVADA AND MANUAL OF UNIFORM TRAFFIC CONTROL DEVICES 1988 EDITION AND BE SUBMITTED 24 HOURS IN ADVANCE
9. SEE SHEET T-10 FOR SIGN DETAILS.
10. SEE SHEET T-10 FOR PAVEMENT MARKING DETAILS.
11. SEE SHEET T-10 FOR GENERAL NOTES.
12. SEE SHEET TS-1 FOR TRAFFIC SIGNAL NOTES (SAHARA/LAMB).
13. CONTRACTOR SHALL DETERMINE THE LOCATION OF ALL PAVEMENT MARKINGS, SURVEY MONUMENTS AND VEHICLE DETECTION LOOPS SO THAT THEY CAN BE REPLACED IN SAME LOCATION.
14. ACCESS SHALL BE MAINTAINED AT ALL TIMES FOR FIRE, POLICE, AMBULANCE AND OTHER EMERGENCY AND SERVICE VEHICLES.