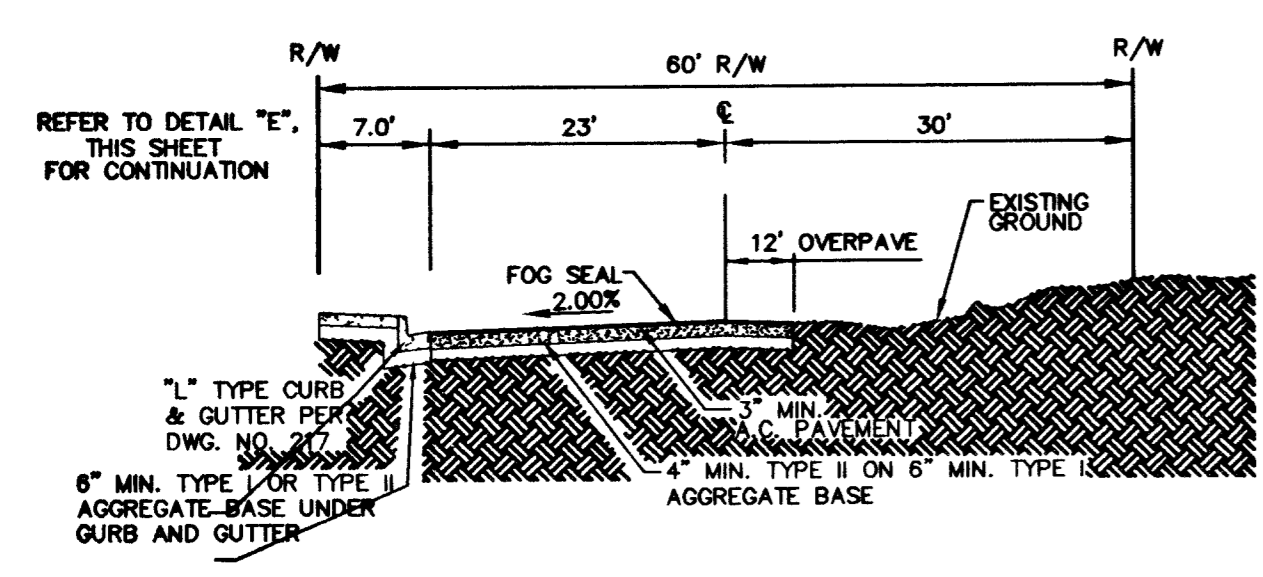


DESIGNED BY:	CHKD BY:
DRAWN BY:	DATE:
DATE:	07-26-07
REVISION	
NO.	

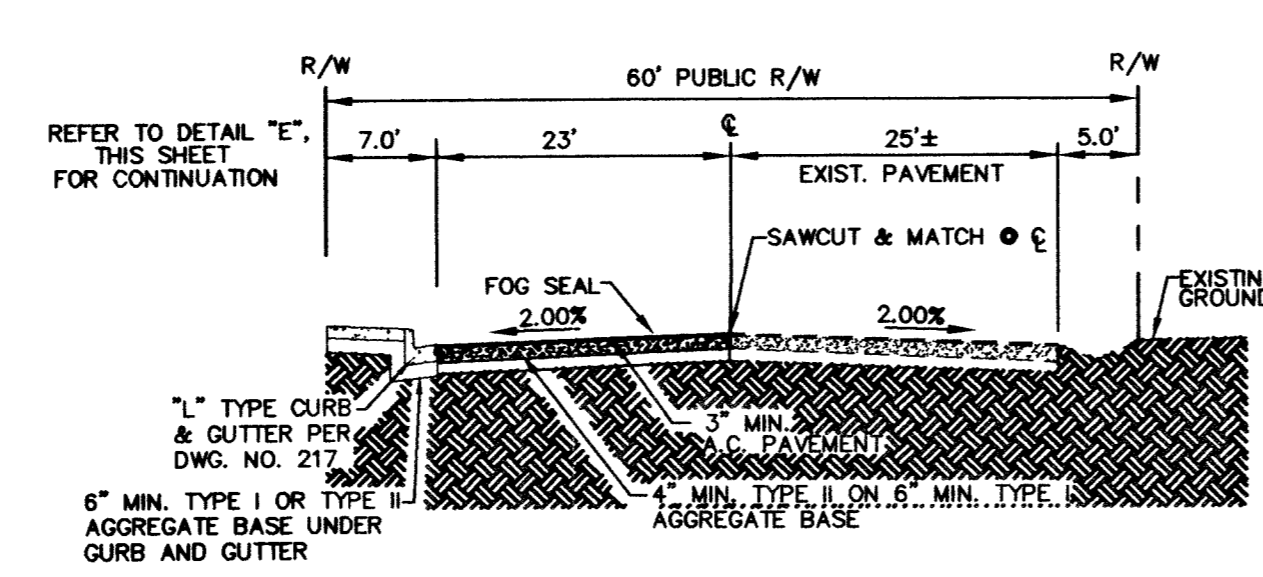
L. R. NELSON CONSULTING ENGINEERS, INC.
 6765 West Russell Road, Suite 200
 Las Vegas, Nevada 89118
 (702) 798-7978
 (702) 451-2296 FAX

EL CAMPO GRANDE/EL CAPITAN
 CLARK COUNTY NEVADA
 EL CAMPO, LLC

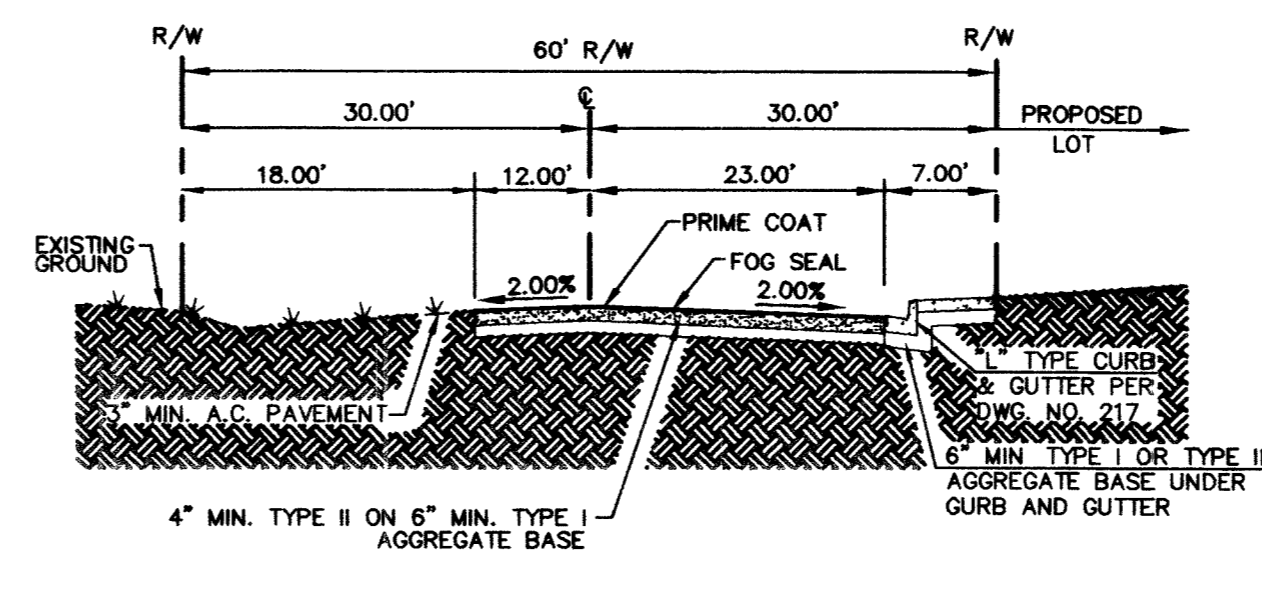
DETAIL SHEET
 SHEET NUMBER
3
 OF 17 SHEETS
 1508-010-082



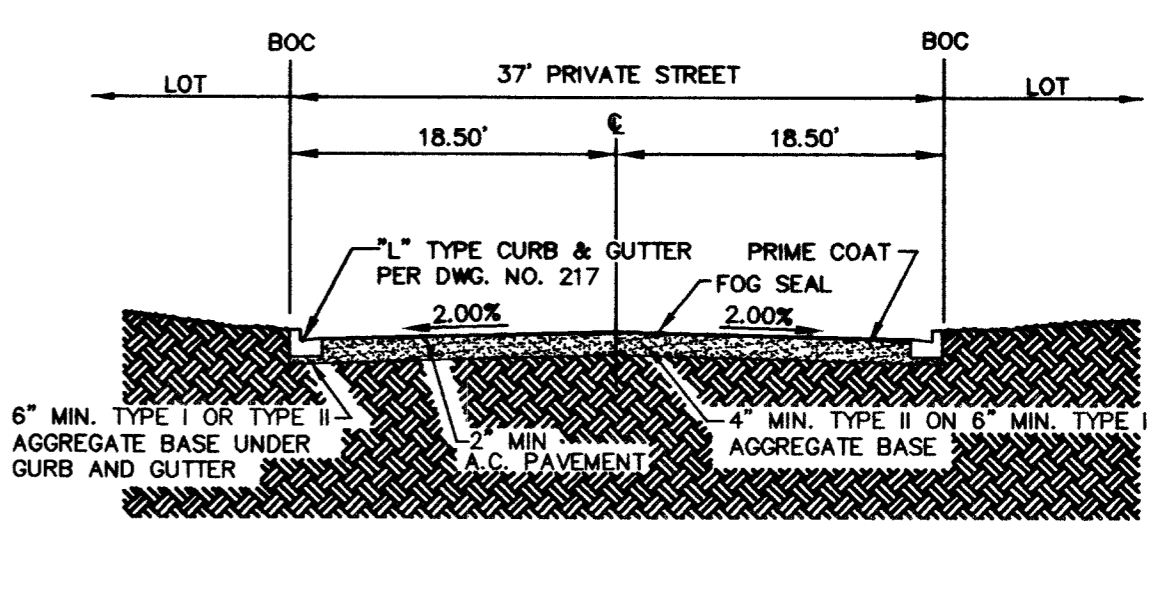
(A) TYPICAL 60' WIDE RIGHT-OF-WAY SECTION
 3 N.T.S. (HALF STREET) PER CCAUSD 205 EL CAMPO GRANDE



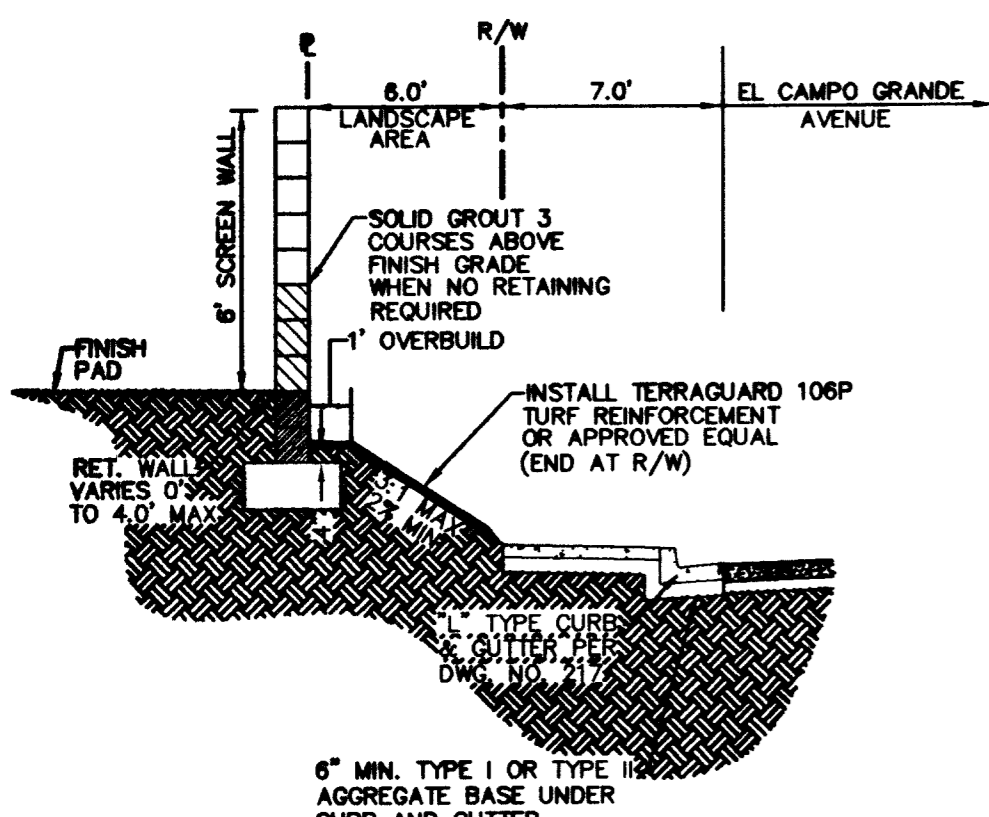
(B) TYPICAL 60' WIDE RIGHT-OF-WAY SECTION
 3 N.T.S. (HALF STREET) PER CCAUSD 205 EL CAMPO GRANDE



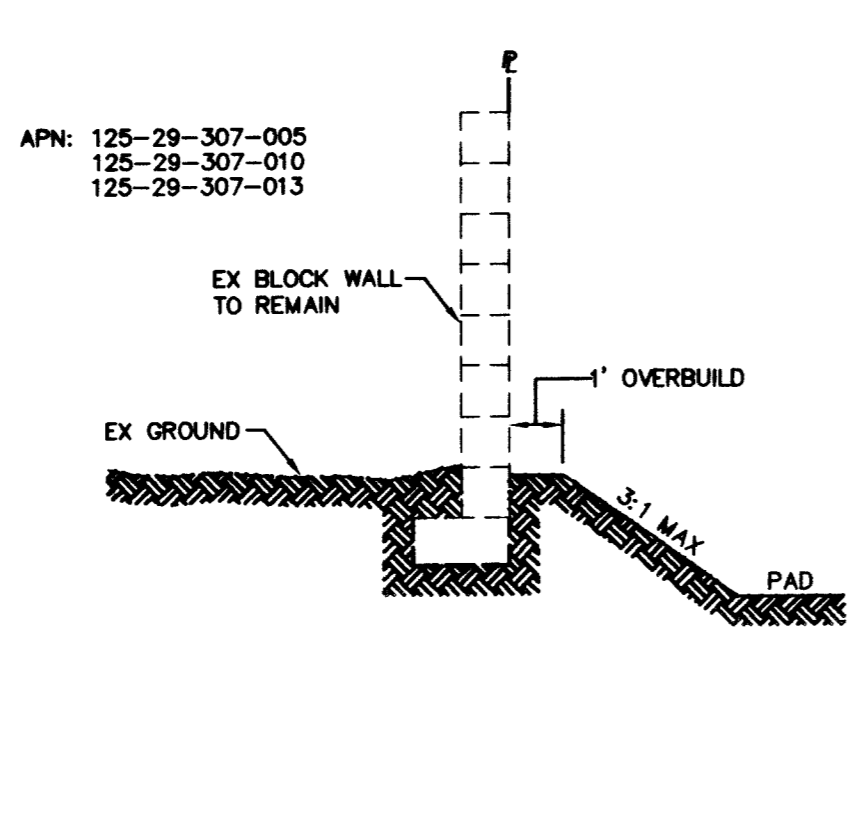
(C) TYPICAL 60' NON-URBAN PUBLIC STREET SECTION
 3 N.T.S. PER CCAUSD 205 (MODIFIED) CORBETT AVENUE



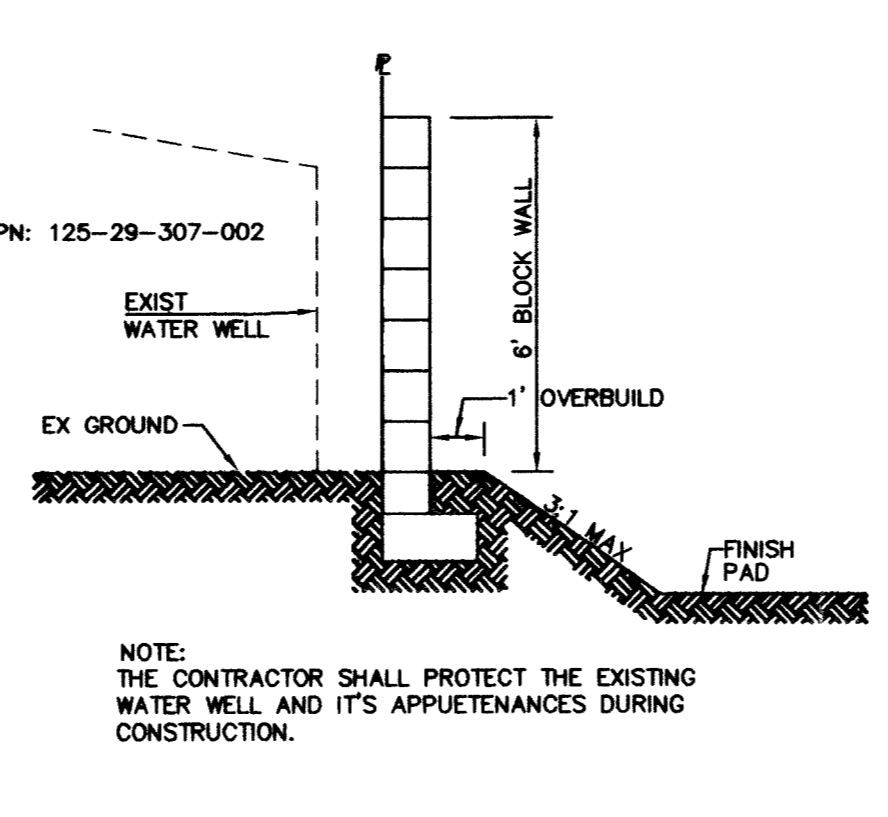
(D) TYPICAL 37' PRIVATE STREET SECTION
 3 N.T.S. PER CCAUSD 210 INTERIOR STREETS



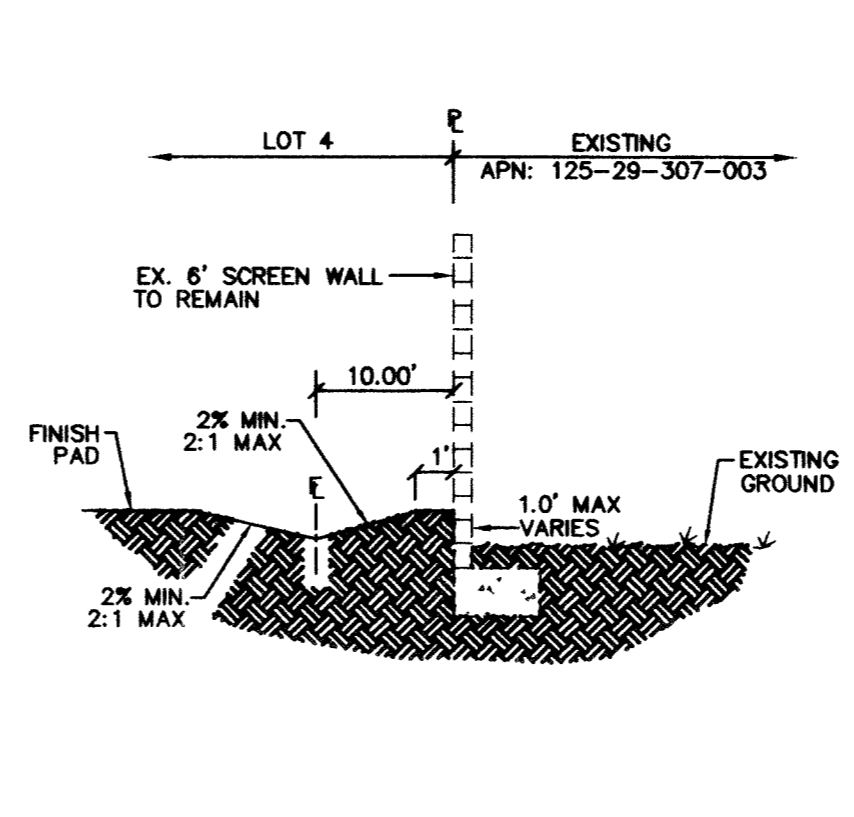
(E) PERIMETER WALL
 3 N.T.S.



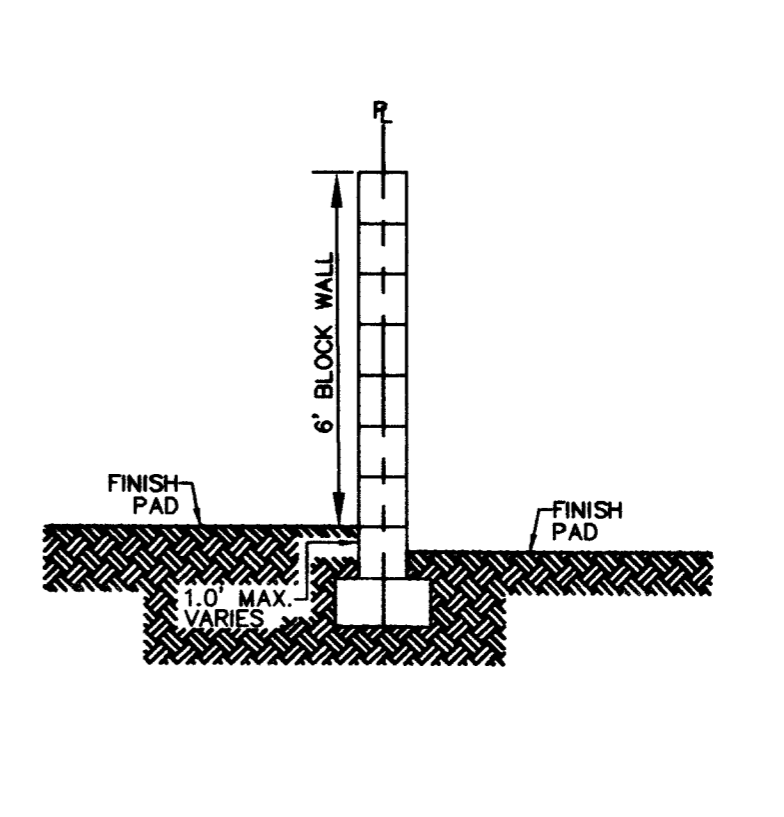
(F) PERIMETER WALL
 3 N.T.S.



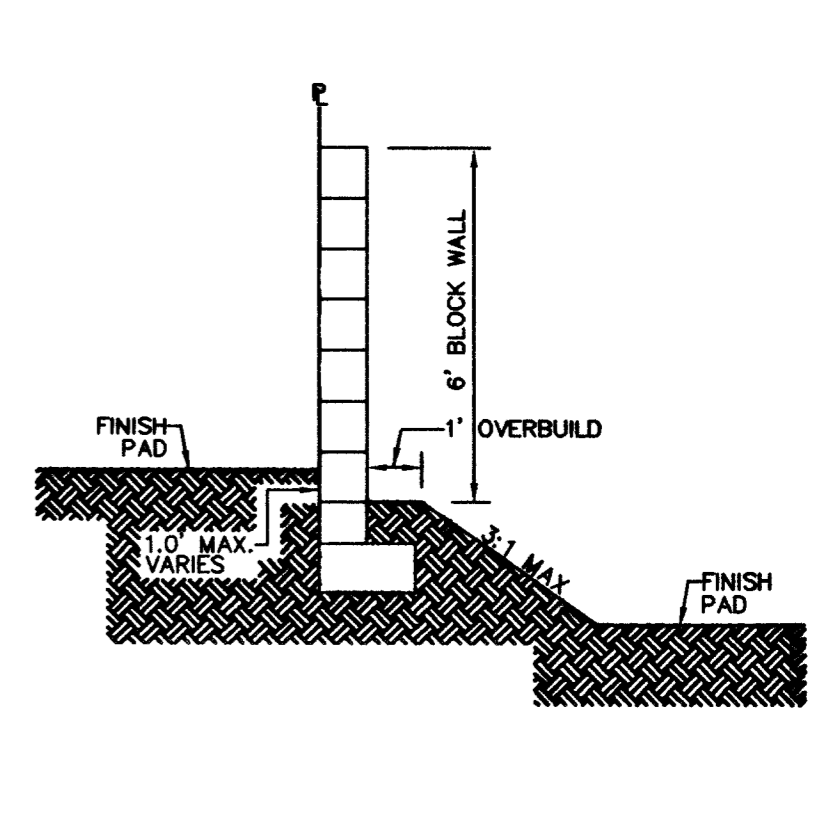
(G) PERIMETER WALL
 3 N.T.S.



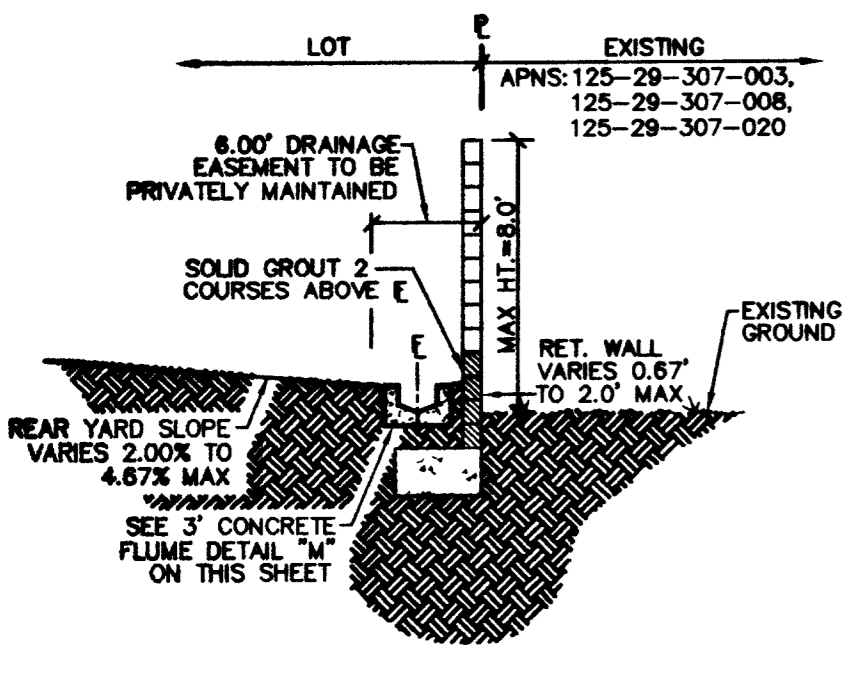
(H) PERIMETER WALL
 3 N.T.S.



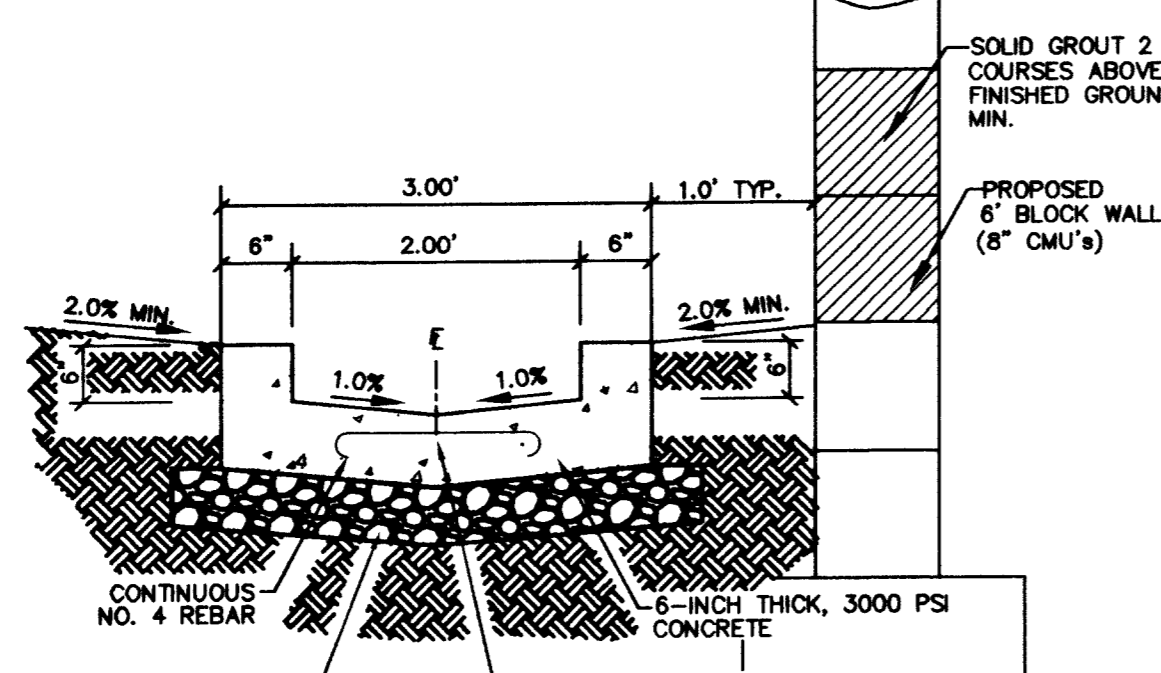
(J) INTERIOR WALL
 3 N.T.S.



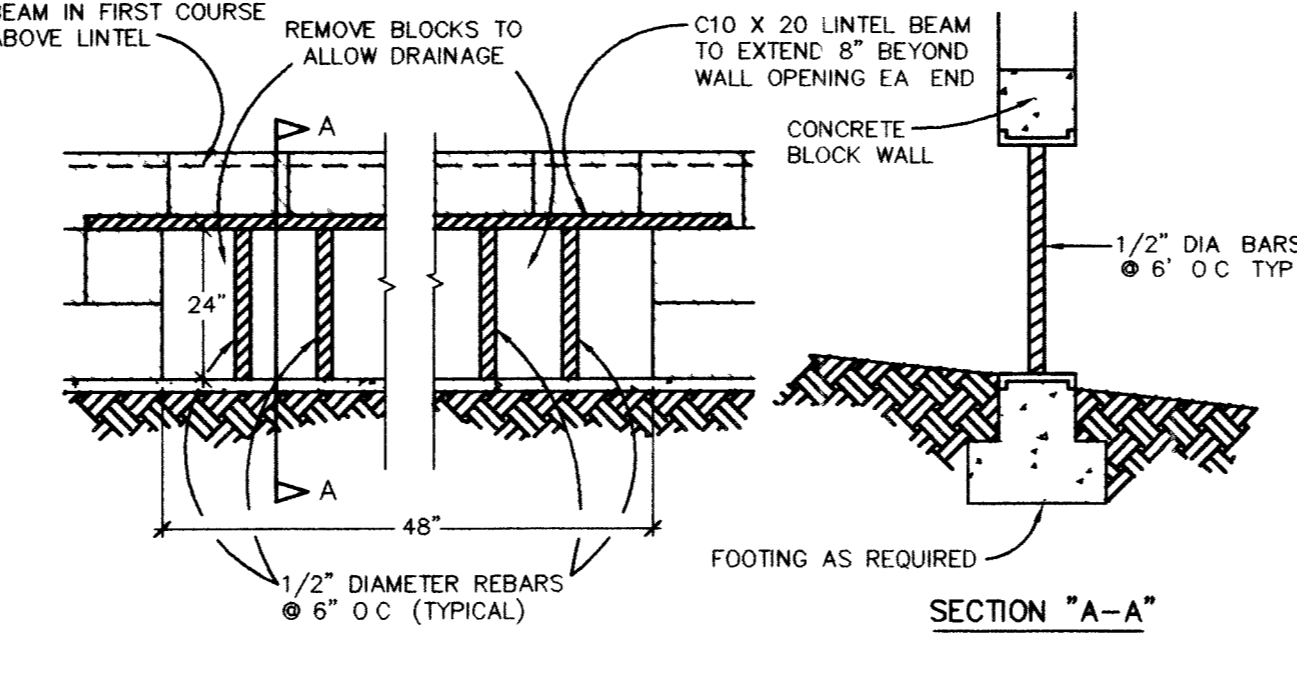
(K) INTERIOR WALL
 3 N.T.S.



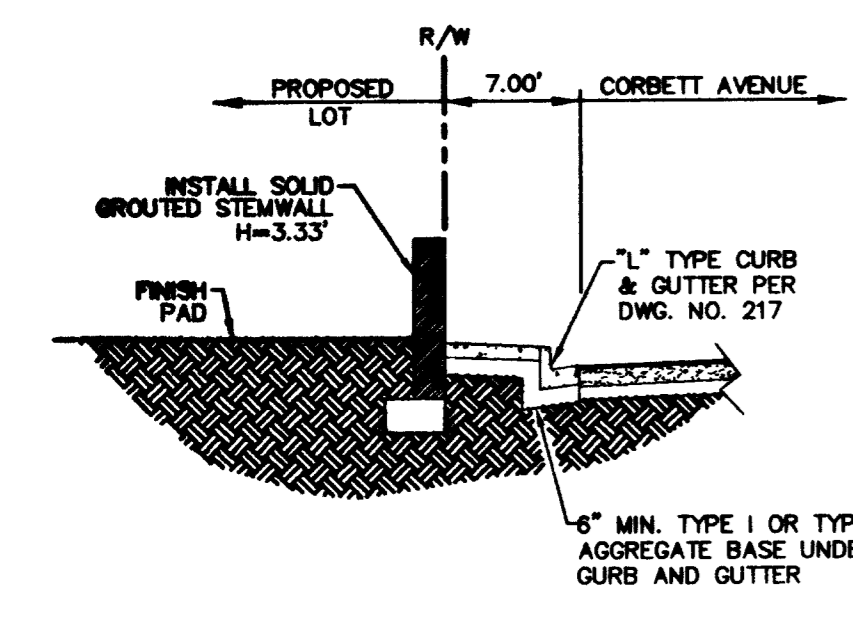
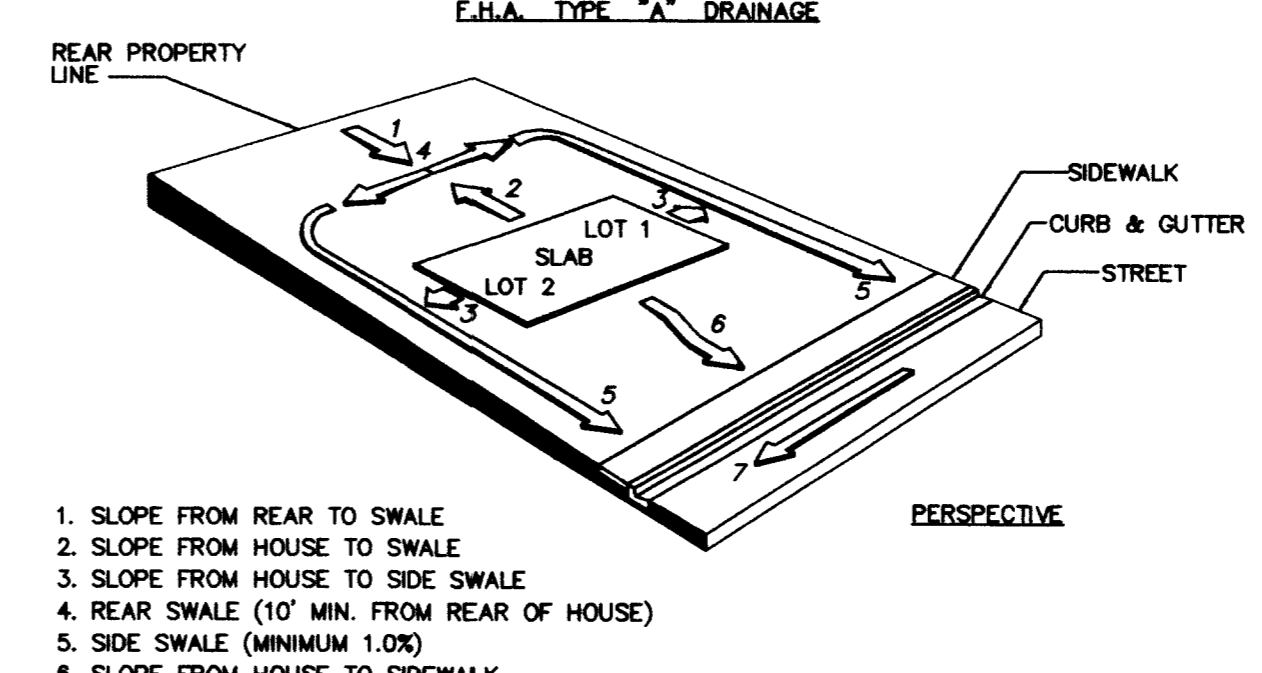
(L) PERIMETER WALL
 3 N.T.S.



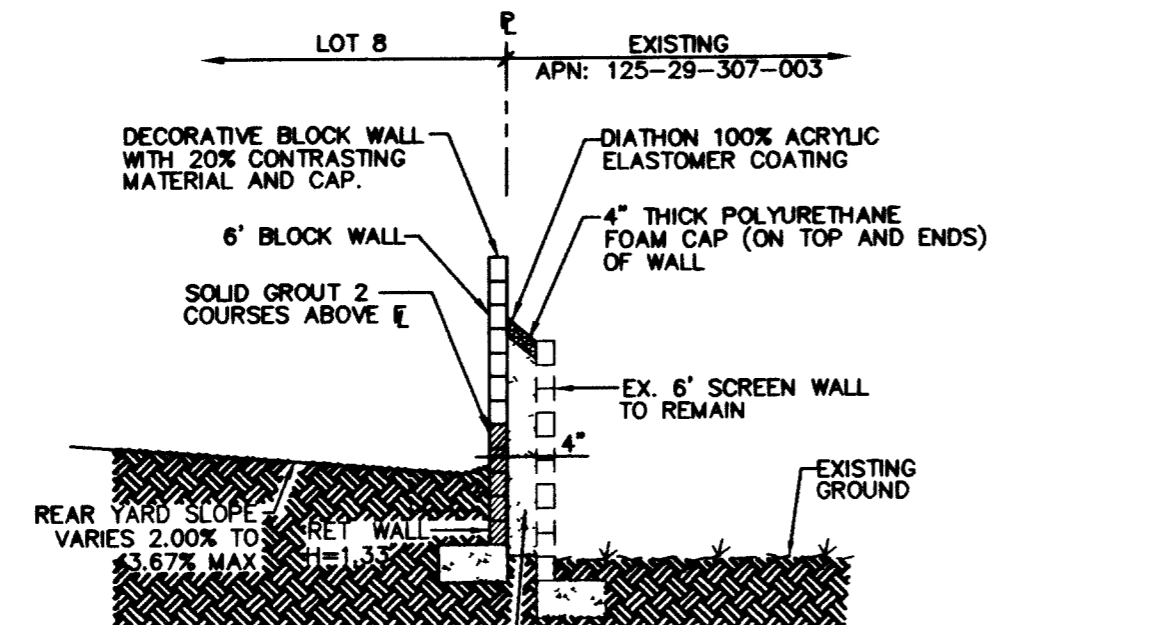
(M) 3' CONCRETE FLUME
 3 N.T.S.



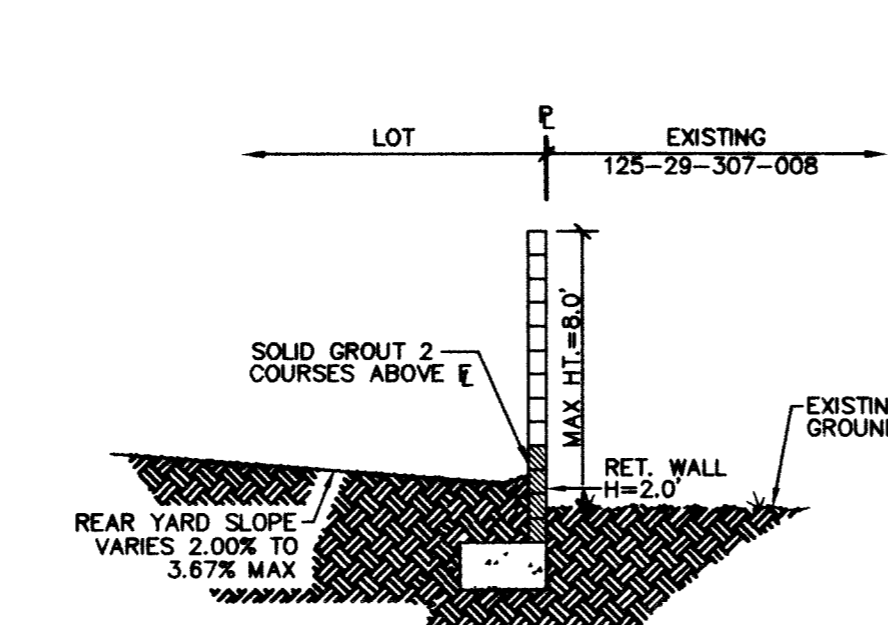
(N) 24' X 48' BLOCK WALL OPENING DETAIL
 3 N.T.S.



(O) PERIMETER WALL
 3 N.T.S.



(P) PERIMETER WALL
 3 N.T.S.



(Q) PERIMETER WALL
 3 N.T.S.

DISCLAIMER NOTE

UTILITY LOCATIONS SHOWN HEREON ARE APPROXIMATE ONLY. IT SHALL BE THE CONTRACTOR'S RESPONSIBILITY TO DETERMINE THE EXACT HORIZONTAL AND VERTICAL LOCATION OF ALL EXISTING UNDERGROUND AND OVERHEAD UTILITIES PRIOR TO COMMENCING CONSTRUCTION. NO REPRESENTATION IS MADE THAT ALL EXISTING UTILITIES ARE SHOWN HEREON. THE ENGINEER ASSUMES NO RESPONSIBILITY FOR UTILITIES NOT SHOWN OR UTILITIES NOT SHOWN IN THEIR PROPER LOCATION.

Avoid overhead power line contact

Call before you OVERHEAD

1-702-227-2929

NEVADA POWER ENVIRONMENT AND SAFETY SERVICES DEPARTMENT

Avoid hitting underground traffic signal systems and street light system conduits. IT'S COSTLY IF YOU DO UNDERGROUND

Call before you UNDERGROUND

1-702-455-7511
CLARK COUNTY TRAFFIC OPERATIONS

1-702-432-5300
LAS VEGAS AREA COMPUTERIZED TRAFFIC SYSTEM

Call before you Dig

Avoid cutting underground utility lines. It's costly.

Call 811

OR 1-800-227-2600 AND CLARK COUNTY TRAFFIC OPERATIONS 1-702-455-7544