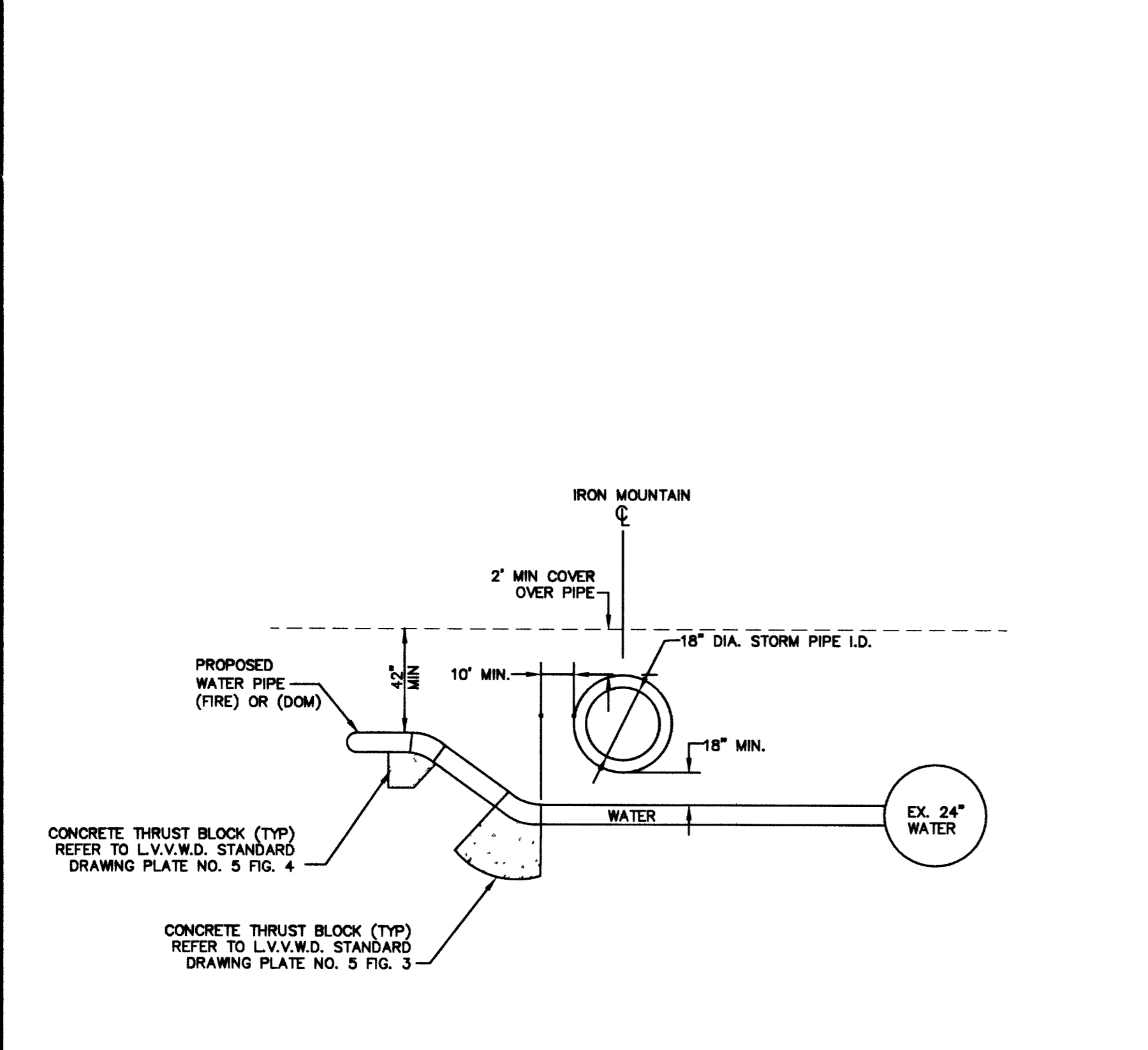


U SECTION AT IRON MOUNTAIN RD. CCAUSD 208.1 NOT TO SCALE

Q SECTION - DROP INLET - STA 17+72.61 NOT TO SCALE

P SECTION - DROP INLET - STA 14+83.23 NOT TO SCALE

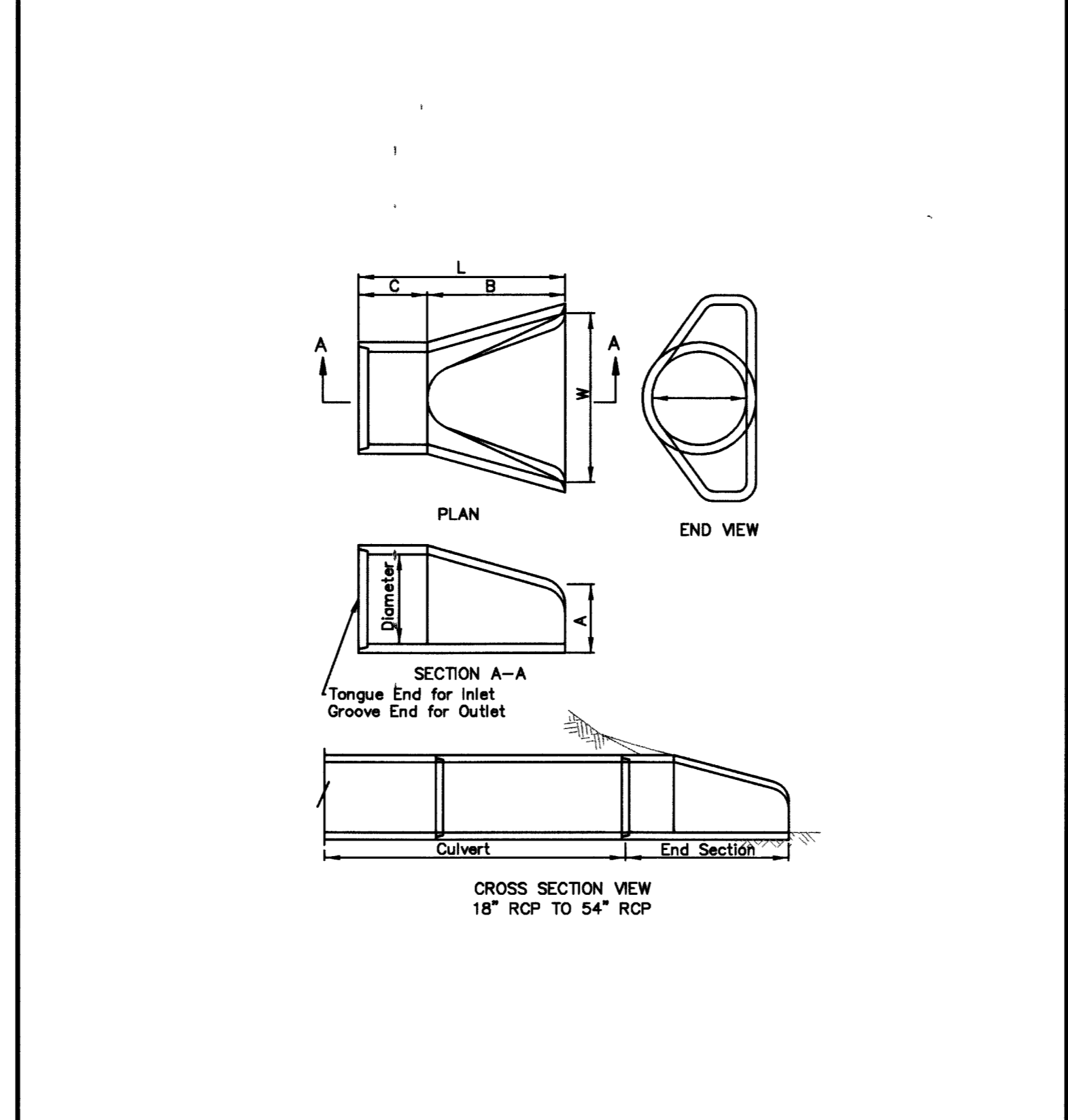
N SECTION - DROP INLET - STA 12+19.36 NOT TO SCALE



WHERE THE WATER LINE IS LESS THAN 18 INCHES OVER THE SEWER LINE, WHERE THE WATER LINE IS UNDER THE SEWER LINE AND WHERE THE HORIZONTAL SEPARATION, AS REQUIRED BY THE WATER SUPPLY REGULATIONS CAN'T BE MAINTAINED BECAUSE OF PHYSICAL OBSTRUCTIONS, THE WATER LINE SHALL BE PROTECTED BY CONSTRUCTION OF THE STORM/SEWER LINE AS FOLLOWS:

- EXTRA HEAVY CAST IRON PIPE;
- WATER SUPPLY QUALITY MATERIALS, OR
- ENCASEMENT WITH FOUR INCHES, MINIMUM, OF CONC. OR SLEEVING WITH WATER SUPPLY QUALITY PIPE.

EACH OF THESE PROVISIONS SHALL ALSO BE EXTENDED FOR OTHER THAN 90 DEGREE CROSSING TO THE POINT AT WHICH THE TEN FOOT SEPARATION BETWEEN THE WATER AND SEWER LINES IS ACHIEVED (10/SINE OF CROSSING ANGLE)



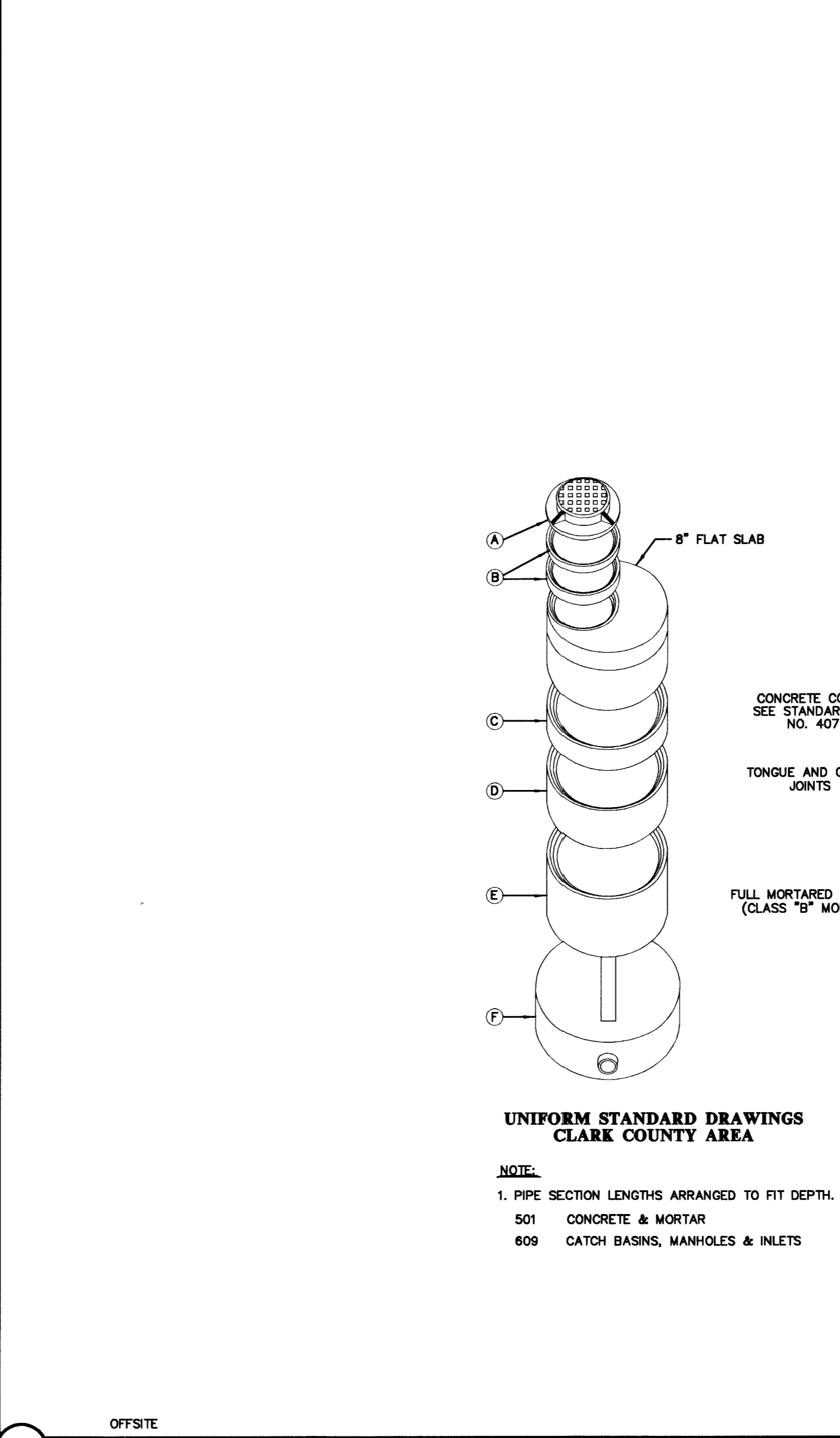
GENERAL NOTES:

- CLASS AND TYPE OF CONCRETE SHALL BE AS SPECIFIED FOR REINFORCED CONCRETE PIPE.
- STRUCTURAL DESIGN OF END SECTION SHALL CONFORM TO THAT OF STANDARD REINFORCED CONCRETE CULVERT PIPE.
- LENGTH OF PIPE SHOWN ON THE DESIGN PLANS DOES NOT INCLUDE CONNECTOR SECTION (LENGTH C).
- CONTACT HYDRAULICS ENGINEER FOR SIZES NOT LISTED.

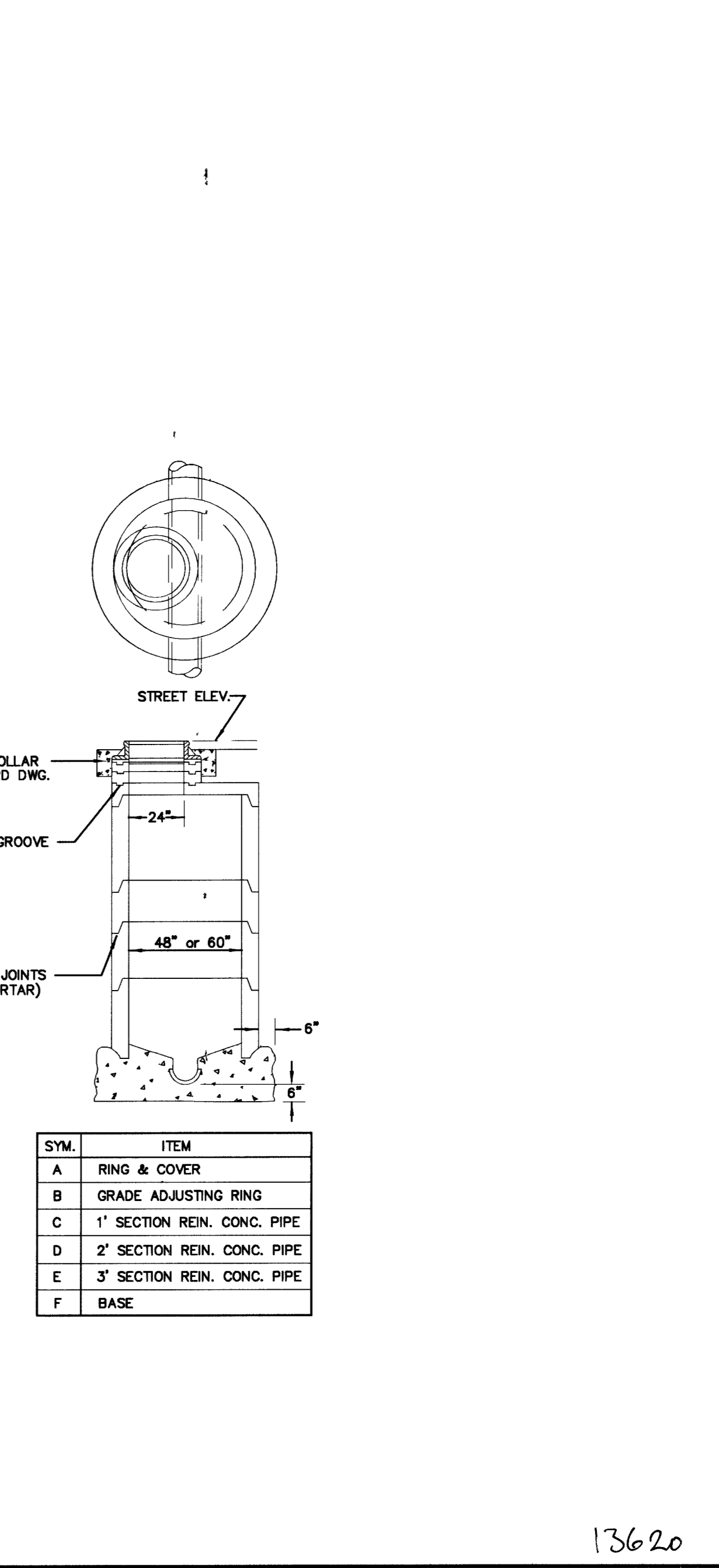
DIAMETER	WEIGHT	A	B	C	L	W
18"	670	9"	2'-1"	2'-1"	4'-2"	3'-0"

R SECTION - STORM WATER CROSSING DETAIL - TYPICAL NOT TO SCALE

S CHANNEL END SECTION-NDOT STD. DWG. R-2.3.2 NOT TO SCALE



T TYPE IA MANHOLE NOT TO SCALE



U UNIFORM STANDARD DRAWINGS CLARK COUNTY AREA NOT TO SCALE

R SECTION - STORM WATER CROSSING DETAIL - TYPICAL NOT TO SCALE

S CHANNEL END SECTION-NDOT STD. DWG. R-2.3.2 NOT TO SCALE

T TYPE IA MANHOLE NOT TO SCALE

U UNIFORM STANDARD DRAWINGS CLARK COUNTY AREA NOT TO SCALE

CL OR SURVEY LINE	EASEMENT LINE	HEAVY AC PAVT.	DESCRIPTION:	CONTOUR LINES	EDGE OF PAVEMENT	"A" TYPE CURBS	"L" TYPE CURBS	WALLS	FENCES	AC PAVEMENT	CONCRETE	SPOT ELEVATIONS	SIGNS	MANHOLE W/ DESCRIPTION	MANHOLE DESCRIPTIONS	FIRE HYDRANTS	GATE VALVES	REDUCERS	CLEAN OUTS	UTILITY BOX OR VAULT	100w HPS STREETLIGHTS	150w HPS STREETLIGHTS	200w HPS STREETLIGHTS	250w HPS STREETLIGHTS
PROPERTY LINE	SAWCUT LINE	LIGHT AC PAVT.	EXISTING:									(12.34) BC		⊙	⊙	⊙	⊙	⊙	⊙	⊙	⊙	⊙	⊙	⊙
ROW LINE	SCARP LINE	CONCRETE PAVT.	PROPOSED:	(2210)					X-X-X-X			12.34 BC		⊙	⊙	⊙	⊙	⊙	⊙	⊙	⊙	⊙	⊙	

LOCHSA ENGINEERING
6345 SOUTH JONES BOULEVARD SUITE 100
LAS VEGAS, NV 89118
PHONE: (702) 365-9312, FAX: (702) 365-9317

DETAIL / SECTION SHEET 03

ELK RIDGE HERITAGE MEETING HOUSE

DATE:	11/29/05
DESIGNED BY:	RAES
CHECKED BY:	RSC
PROJECT NO.:	051054.00
SCALE:	NONE

SHEET NO. **C7.03**
DRAWING NO. **HTE #08-8590**

CLV DWG No. 3071109