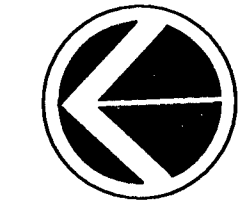
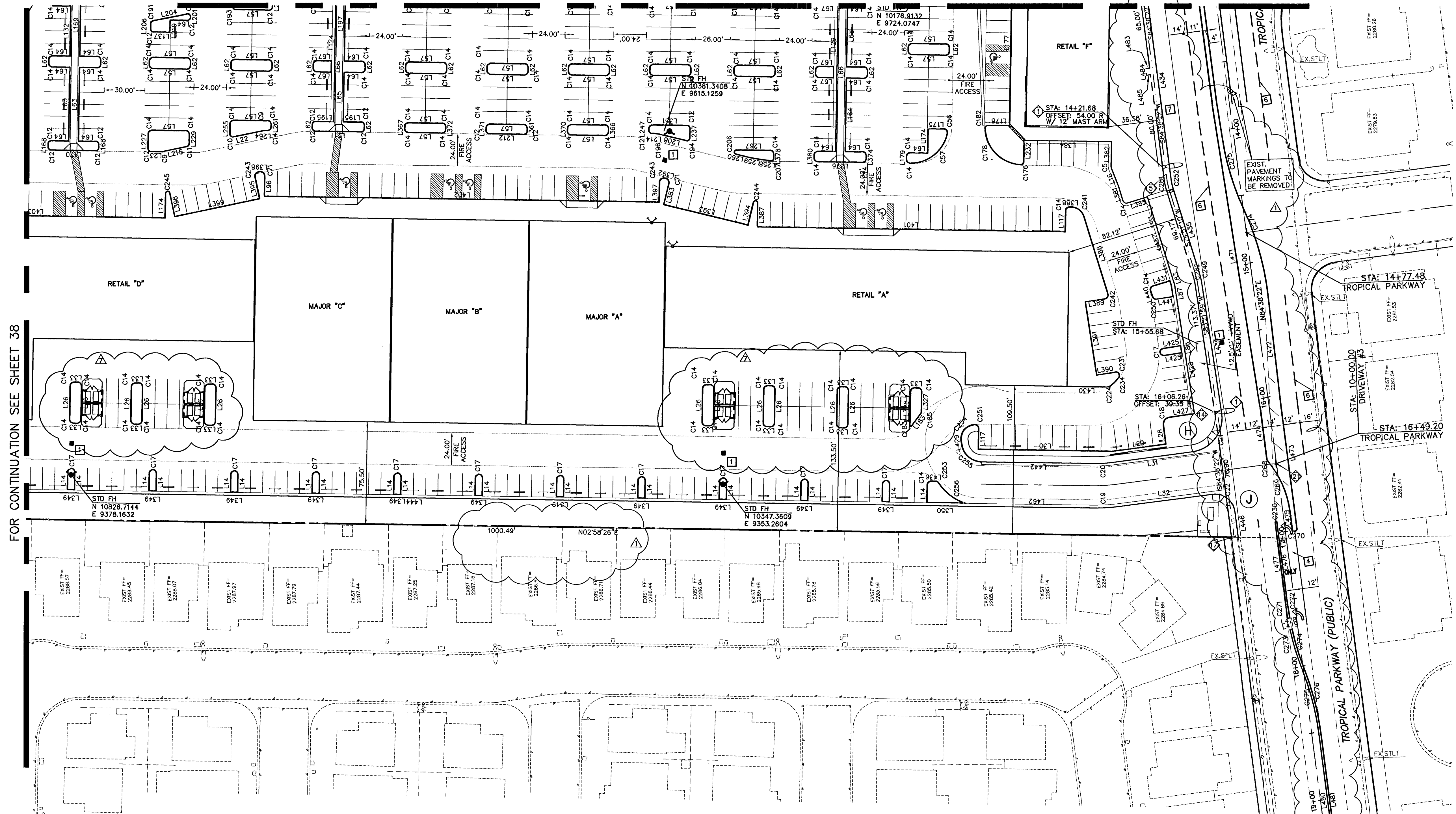


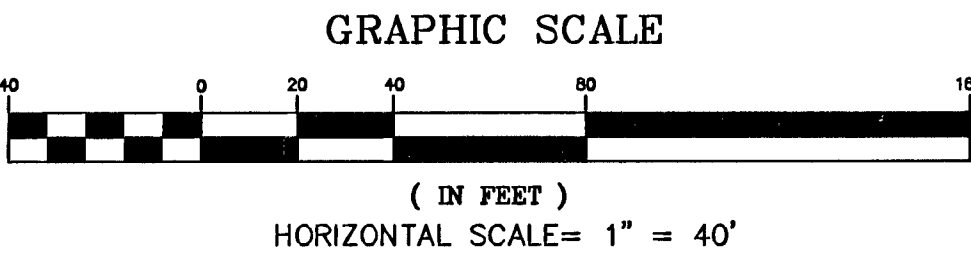
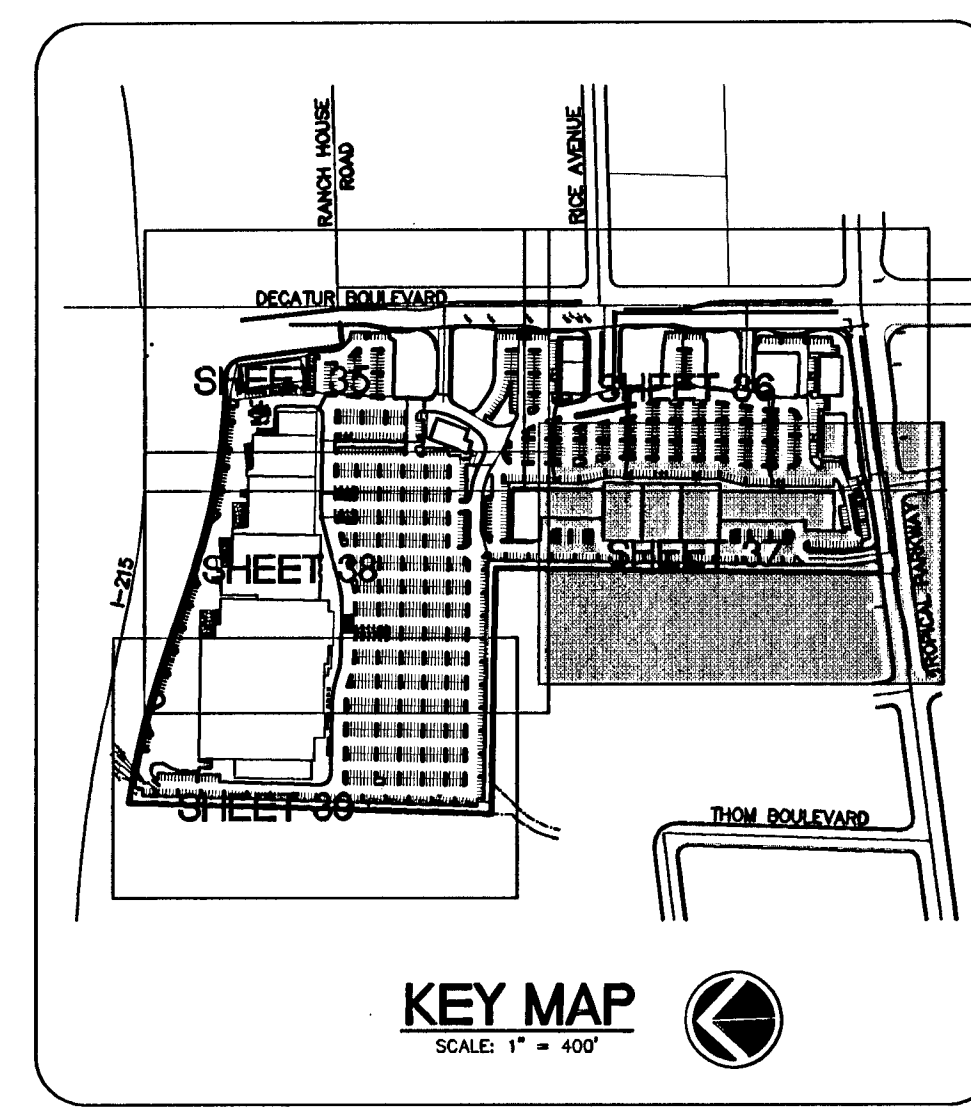
NOTE:
SEE SHEET 35 FOR STREETLIGHT CIRCUIT CAPACITY CALCULATIONS



FOR CONTINUATION SEE SHEET 36



FOR CONTINUATION SEE SHEET 38



CONSTRUCTION NOTES AND QUANTITIES

- 1 INSTALL 200 W HPS STREET LIGHT AND FOUNDATION PER CCA STD DWG. NO. 314, NO. 320 & NO. 321 3 EA.
- 2 INSTALL 250 W HPS STREET LIGHT AND FOUNDATION W/ 8" MAS ARM PER CCA STD DWG. NO. 314, NO. 320 & NO. 321 5 EA.
- 3 INSTALL NO. 3-1/2 PULL BOX 1 EA.
- 4 INSTALL P-30 PULL BOX WITH INSCRIPTION "FIBER OPTICS" 2 EA.
- 5 INSTALL 2" STREETLIGHT CONDUIT W/ 2-#, 1-# THW WIRE 2,168 LF±
- 6 INSTALL 3" F.A.S.T. CONDUIT 605 LF±
- 7 INSTALL 4" F.A.S.T. CONDUIT & 72 STRAND FIBER OPTIC TRUNK LINE 1,327 LF±
- 8 CONNECT TO EXISTING 1 1/4" STREETLIGHT CONDUIT
- 9 NOT USED
- 10 INSTALL CONTROL CABINET 2 EA.
- 11 INSTALL 200 AMP SERVICE PEDESTAL 1 EA.
- 12 INSTALL NO. 7 PULL BOX 6 EA.
- 13 INSTALL R1-1 "STOP" SIGN (30"x30") 4 EA.
- 14 INSTALL R-71APR "NO PARKING ANY TIME" SIGN (18"x24") 8 EA.
- 15 INSTALL R3-7R "RIGHT LANE MUST TURN RIGHT" SIGN (30"x36") 6 EA.
- 16 INSTALL R7-107A "NO PARKING BUS STOP" SIGN (12"x30") 2 EA.
- 17 STUB AND CAP STREETLIGHT CONDUIT 5' PAST W/ 1-# PULLWIRE 3 EA.
- 18 RELOCATE EX. GUARD RAIL PER NDOT STD DWG. NO. R-8.2.130 LF±
- 19 CONNECT TO EX. CONDUIT
- 20 INSTALL 250 W HPS STREET LIGHT AND FOUNDATION W/ 15" MAS ARM PER CCA STD DWG. NO. 314, NO. 320 & NO. 321 4 EA.
- 21 INSTALL R6-2 "ONE WAY" SIGN 3 EA.
- 22 INSTALL NO. 5 PULL BOX 3 EA.

PAVEMENT CONSTRUCTION NOTES

- 1) INSTALL BLUE COLORED RAISED PAVEMENT MARKERS ADJACENT TO THE FIRE HYDRANT ON ALL IMPROVED FIRE APPARATUS ACCESS ROADWAYS WITH HARD SURFACES, INCLUDING BOTH PUBLIC AND PRIVATE ROADS, STREETS, OR FIRE LANES:
 - 1) ON ROADWAYS WITH NO PARKING PERMITTED ON THE HYDRANT SIDE; EIGHT (8) FEET FROM THE FACE OF THE CURB ON THE HYDRANT SIDE.
 - 2) ON ROADWAYS WITH PARKING PERMITTED ON THE HYDRANT SIDE; SIXTEEN (16) FEET FROM THE FACE OF THE CURB ON THE HYDRANT SIDE.
 - 2) INSTALL 24" SOLID WHITE PAINT STOP BAR
 - 3) INSTALL CROSSWALK MARKINGS PER CCA STD DWG. NO. 254A
 - 4) INSTALL FORCED LEFT TURN LANE PAVEMENT MARKERS PER CCA STD DWG. NO. 246A
 - 5) INSTALL RIGHT TURN LANE PAVEMENT MARKERS PER CCA STD DWG. NO. 246
 - 6) INSTALL PAVEMENT DELINEATION PATTERN USING RAISED PAVEMENT MARKERS PER CCA STD DWG. NO. 244A, TYPE 4 LANE LINE
 - 7) INSTALL "BUSES ONLY" PAVEMENT MARKERS PER CCA STD DWG. NO. 234.1
 - 8) INSTALL 4" WHITE PAINTED EDGE LINE
 - 9) INSTALL 8" WHITE PAINTED EDGE LINE
 - 10) REMOVE EXIST. STRIPING
 - 11) INSTALL PAINTED TRAFFIC STRIPING PER CCA STD. DEG. NO. 245
 - 12) INSTALL 8" YELLOW PAINTED EDGE LINE
- NOTE:** RAISED PAVEMENT MARKERS SHALL BE CERAMIC. ALL PAINT MATERIAL SHALL BE 2-PART EPOXY.

BASIS OF BEARING

NORTH 02°01'35" EAST BEING THE CENTERLINE OF DECATUR BLVD. BETWEEN TROPICAL PARKWAY AND CENTENNIAL PARKWAY IN THE NORTHWEST QUARTER (NW 1/4) OF SECTION 30, TOWNSHIP 19 SOUTH, RANGE 61 EAST, M.D.M., CLARK COUNTY, NEVADA, AS SHOWN BY MAP IN THE OFFICE OF THE CLARK COUNTY, NEVADA RECORDER IN FILE 90 OF PARCEL MAPS PAGE 69.

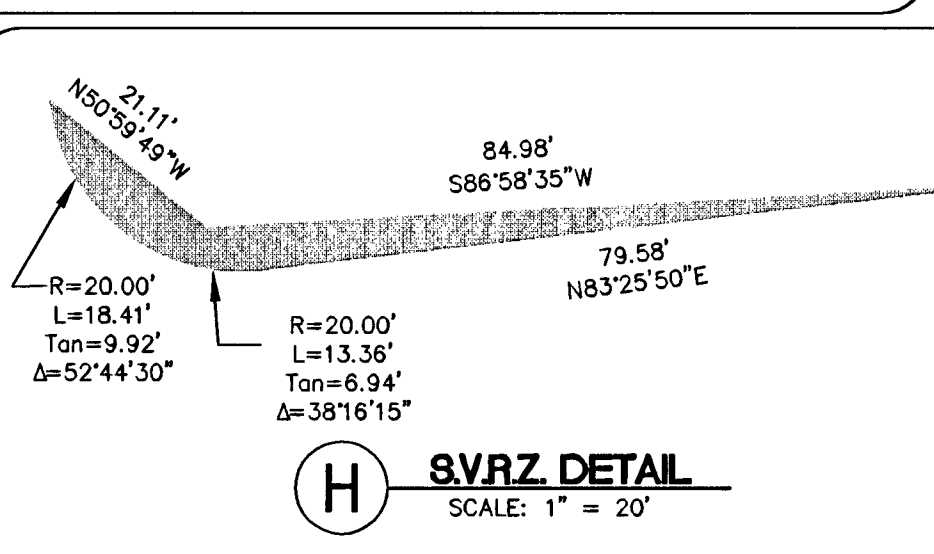
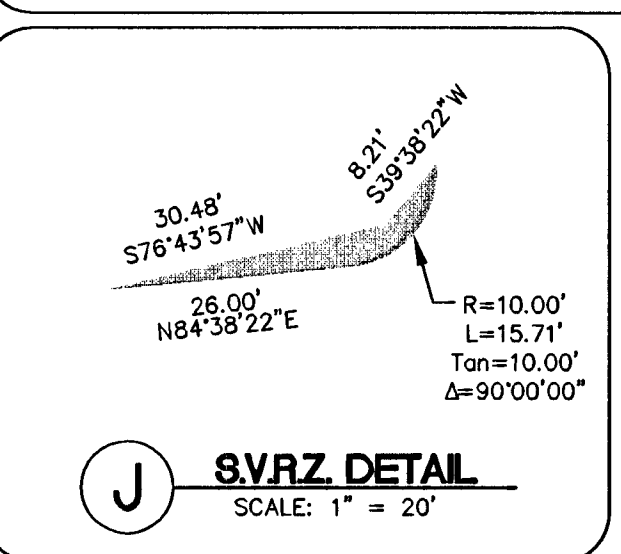
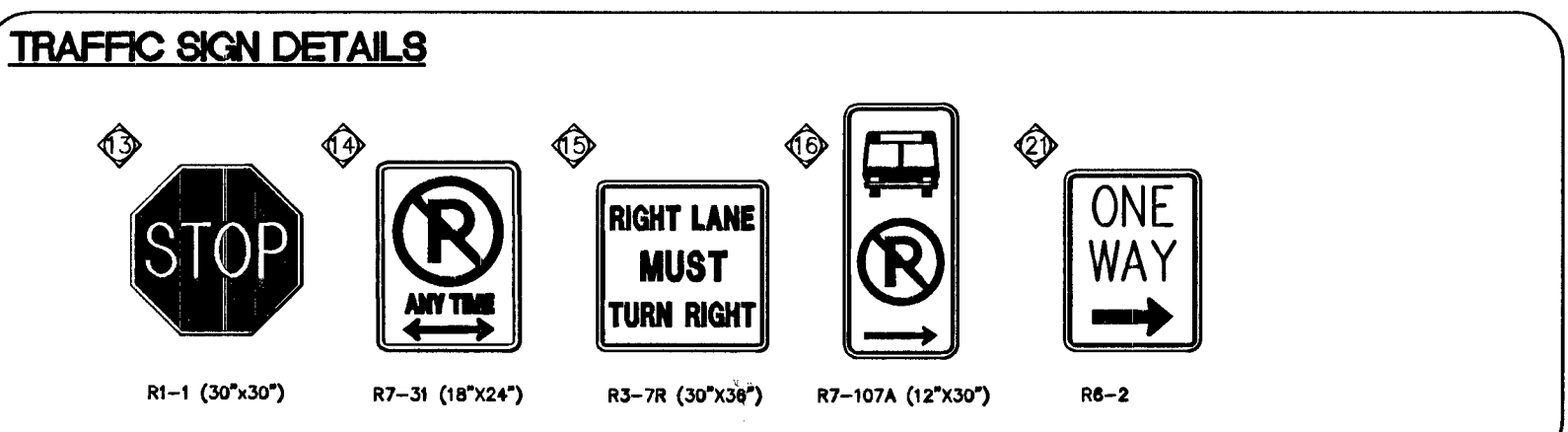
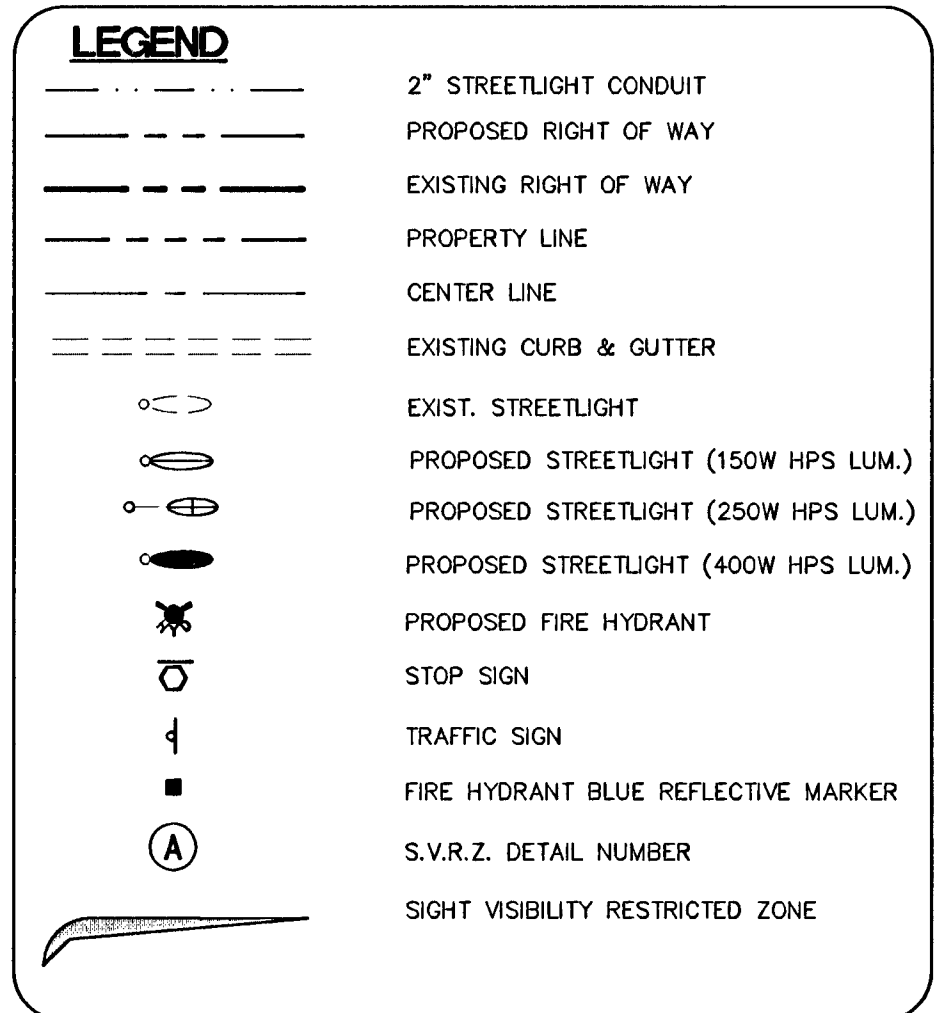
BENCHMARK

CITY OF LAS VEGAS VERTICAL CONTROL RIVET AND PLATE IN TOP OF CURB NW CORNER OF TROPICAL PARKWAY & THOM
 STATION 8LV90
 2566
 ELEVATION= 697.5653 METERS (NAVD88)
 2288.60 FEET

HORIZONTAL CONTROL NOTE
SEE SHEET 40 FOR CURB TABLE INFORMATION.

NOTICE TO CONTRACTOR!
EXISTING UTILITY LOCATIONS SHOWN HEREON ARE APPROXIMATE ONLY. IT SHALL BE THE CONTRACTOR'S RESPONSIBILITY TO DETERMINE THE EXACT VERTICAL AND HORIZONTAL LOCATION OF ALL EXISTING UNDERGROUND UTILITIES PRIOR TO COMMENCING CONSTRUCTION. NO REPRESENTATION IS MADE THAT ALL EXISTING UTILITIES ARE SHOWN HEREON. THE ENGINEER ASSUMES NO RESPONSIBILITY FOR UTILITIES NOT SHOWN OR UTILITIES NOT SHOWN IN THEIR PROPER LOCATION.

CALL before you Dig
1-800-227-2600
UNDERGROUND SERVICE (USA)



S.V.R.Z. NOTES

NO WALL, FENCES, TREES, SHRUBS, UTILITY APURTENANCES OR ANY OTHER OBJECT, OTHER THAN TRAFFIC CONTROL DEVICES AND STREET LIGHT POLES, MAY BE CONSTRUCTED OR INSTALLED WITHIN THE SIGHT VISIBILITY ZONE UNLESS SAID OBJECT IS MAINTAINED AT LESS THAN 24 INCHES IN HEIGHT, MEASURED FROM TOP OF CURB OR WHERE NO CURB EXISTS, A HEIGHT OF 27 INCHES MEASURED FROM THE TOP OF ADJACENT, GRAVEL OR PAVEMENT STREET SURFACE.

NO.	DATE	BY	APPROV.	REVISION DESCRIPTION

3610 North Rando Drive
Las Vegas, Nevada 89130
Telephone: (702) 648-9700
Fax: (702) 648-4143

SOUTHWEST ENGINEERING
LAND PLANNING • MAPPING • DEVELOPMENT

TRAFFIC, STREETLIGHT AND HORIZONTAL CONTROL PLAN III

DECATUR & TROPICAL

PROJECT: DECATUR 215, LLC

CITY OF LAS VEGAS

WORK ORDER NO: 070619

DESIGN BY: KDS

DRAWN BY: KDS/WK

DATE: Oct 23, 2008

SCALE: 1" = 40'

SHEET 37 OF 45 SHEETS

GLV DWG NO: 107Y4968

G:\Veg_Proj\070619\dwg\Unit 1\01R-TRAF.dwg Oct 23, 2008 - 10:55am (Plotted by: padarogh)