

GENERAL NOTES FOR T&S

- ALL CONSTRUCTION SHALL CONFORM TO SPRINT TELEPHONE COMPANY SPECIFICATIONS ISSUED MAY 1, 2003 FOR THE INSTALLATION OF UNDERGROUND RESIDENTIAL DISTRIBUTION TELEPHONE SYSTEM.
- ALL TRENCHING, BACKFILLING AND SUBSTRUCTURES ARE TO BE PROVIDED BY THE DEVELOPER AND CONFORM WITH SPRINT STANDARDS.
- TRENCHING AND TELEPHONE BOXES ARE TO BE PLACED IN THE SIDEWALK AREA WHENEVER POSSIBLE. ALL TRENCHING WILL BE OF A MINIMUM DEPTH TO MAINTAIN A 30" COVER OVER ALL TELEPHONE FACILITIES AND 12" MINIMUM SEPARATION FROM FOREIGN UTILITIES. BOXES WILL BE ESTABLISHED TO FINISH GRADE.
- TRENCHING FOR STREET CROSSINGS IS TO BE OF A DEPTH NECESSARY TO MAINTAIN 30" COVER OVER TELEPHONE FACILITIES FROM FINISH GRADE AND 12" MINIMUM SEPARATION FROM FOREIGN UTILITIES. IF THE MINIMUM COVER CAN NOT BE PROVIDED, CONDUIT MUST BE PLACED AND CONCRETE ENCASUREMENT IS REQUIRED PER SPRINT SPECIFICATIONS AT DEVELOPER'S EXPENSE.
- TRENCH AND SUBSTRUCTURE TO BUILDING MUST BE 18" FROM PROPERTY LINE WITH A MINIMUM DEPTH TO MAINTAIN 30" COVER FROM FINISH GRADE AND 12" MINIMUM SEPARATION FROM FOREIGN UTILITIES. WHEN THE TRENCH WILL BE UNDER PAVEMENT, DEVELOPER IS TO PROVIDE 1" CONDUIT UNDER PAVED AREA AT THE DEVELOPER'S OWN EXPENSE.
- ALL TELEPHONE BOXES THAT ARE SUBJECT TO VEHICULAR TRAFFIC WILL BE REQUIRED TO HAVE A PROTECTIVE 8" X 8" CONCRETE COLLAR POURED AROUND THE TOP PORTION OF THE BOX PER SPRINT SPECIFICATIONS. (THIS WILL APPLY TO DIRT AND GRASSED AREAS ALSO.)
- ANY CONDUIT PLACED FOR DEVELOPER'S CONVENIENCE (I.E. STREET CROSSING, STUB-OUTS FOR FUTURE UTILS) WILL BE PLACED AT DEVELOPER'S EXPENSE.
- CABLE RACKS WILL BE INSTALLED IN ALL 2 1/2' X 5' X 4' PULL BOXES AND LARGER PER SPRINT SPECIFICATIONS.
- ANY PULL BOX PLACED NEAREST TO A POWER TRANSFORMER WILL BE REQUIRED TO HAVE A #6 COPPER GROUND WIRE WITH A GREEN PVC INSULATION SHEATH PLACED BY THE CONTRACTOR FROM THE PULL BOX TO THE POWER TRANSFORMER GROUND ROD AND ATTACHED TO PROVIDE A COMMON GROUND WITH THE POWER COMPANY. THIS GROUND WIRE AND ATTACHING CLAMP WILL BE PROVIDED BY THE TELEPHONE COMPANY AND CAN BE OBTAINED FROM THE INSPECTOR.
- THE DEVELOPER SHALL PROVIDE A #6 COPPER GROUND WIRE FROM EACH TERMINAL CABINET TO A COMMON GROUND WITH NEVADA POWER COMPANY PER THE NATIONAL ELECTRIC SAFETY CODE SPECIFICATIONS.
- IN SOME CASES A PULL BOX MAY HAVE TO BE RELOCATED FROM THE POSITION SHOWN ON THE DRAWING DUE TO INTERFERENCE WITH OTHER UTILITIES SUCH AS STREET LIGHTS, ETC. IF SUCH RELOCATION IS REQUIRED, THE ENGINEER SHALL BE NOTIFIED PRIOR TO RELOCATION.
- ALL PULL BOXES (2 1/2' X 4' AND LARGER) AND MANHOLES ARE TO BE GROUNDED WITH A 3/8" X 1/16" TINNED SOFT COPPER BONDING RIBBON PLACED VERTICALLY AROUND THE BOTTOM OF THE BOX WITH 3" ENDS STUBBED INSIDE.
- WHEN EXISTING TELEPHONE FACILITIES (POLES, MANHOLES, PULL BOXES, CONDUIT, TERMINALS, ETC.) ARE AFFECTED BY IMPROVEMENTS (REQUIRED BY LOCAL ORDINANCE, E.G. STREETS, SIDEWALKS, GUTTERS, ETC.) THE DEVELOPER SHALL BE RESPONSIBLE FOR THE ADJUSTMENT OF THESE FACILITIES AS REQUIRED.
CALL 244-7811 TWENTY-FOUR HOURS IN ADVANCE FOR INSPECTION.
- ALL 2 1/2' X 4' AND 3' X 5' PULL BOXES MUST BE INTERCEPT TYPE BOXES. BASE PORTION MUST BE SET PRIOR TO CABLE PULL. UPPER PORTION WILL BE PLACED AFTER CABLE PULL AND PRIOR TO SPLICING.
- ALL STUB-OUTS FROM PULL BOXES TO BACK OF SIDEWALK FOR SERVICE DROP WILL BE AT DEVELOPER'S OPTION AND EXPENSE.
- ALL PEDESTALS WILL BE PLACED NO CLOSER THAN 18" TO THE SIDE OF POWER TRANSFORMERS.
- ALL TELEPHONE BOXES THAT ARE SUBJECT TO VEHICULAR TRAFFIC WILL BE REQUIRED TO HAVE A PROTECTIVE 8" X 8" CONCRETE COLLAR POURED AROUND THE TOP PORTION OF THE BOX PER SPRINT SPECIFICATIONS. (THIS WILL APPLY TO DIRT AND GRASSED AREA ALSO.)
- FOR INSPECTION CALL 244-7811 24 HOURS IN ADVANCE.
- THE CONTRACTOR / DEVELOPER SHALL INSTALL A TAPERED POLYETHYLENE DUCT PLUG WITH PULL STRING TAB IN ALL CONDUIT. TERMINATED OR CAPPED ASSOCIATED WITH THIS PROJECT.

CITY OF LAS VEGAS PERMIT REQUIRED*	
DEVELOPER/CONTRACTOR SHALL OBTAIN A CITY PERMIT BEFORE ANY EXCAVATION WORK WITHIN CITY OF LAS VEGAS RIGHT OF WAY	
* SPRINT INSPECTOR WILL VERIFY CITY PERMIT FOR WORK DONE WITHIN CITY OF LAS VEGAS RIGHT-OF-WAY	
INSPECTOR:	DATE

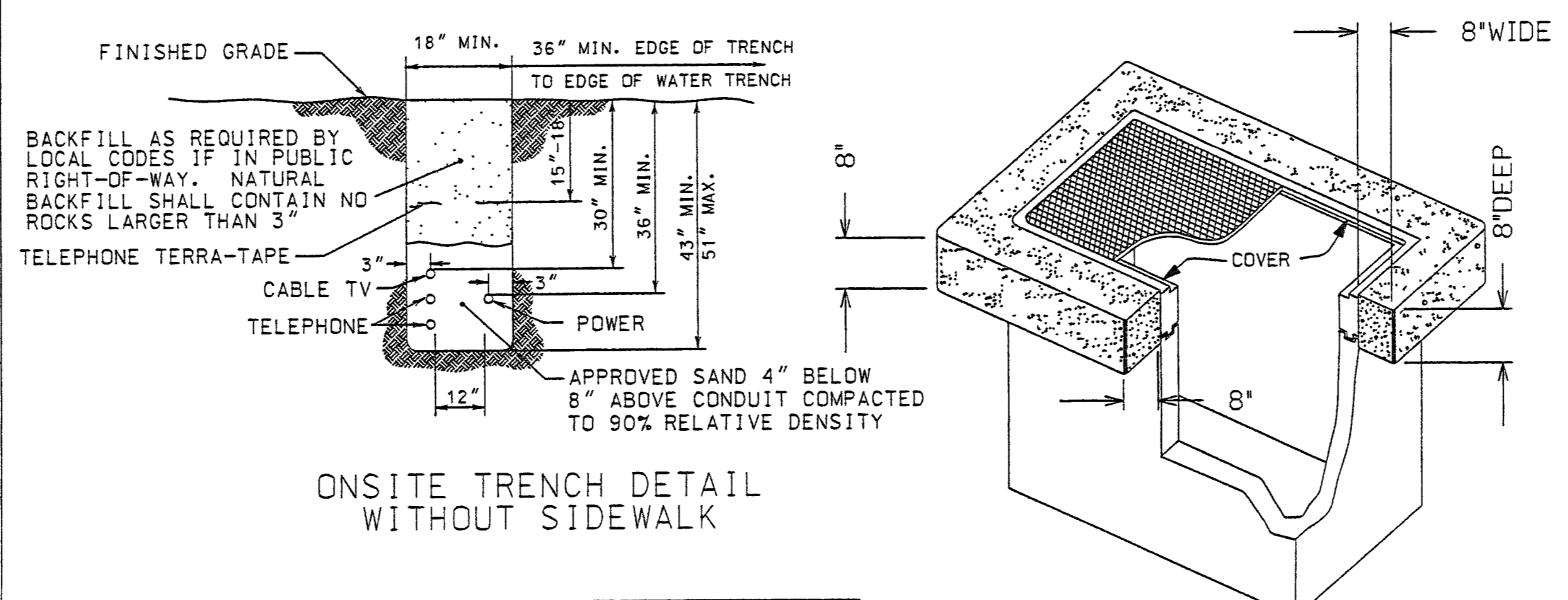
NOTE:

CALL 244-7811 BETWEEN
7 A.M. AND 11 .M.
24 HOURS IN ADVANCE
FOR INSPECTION

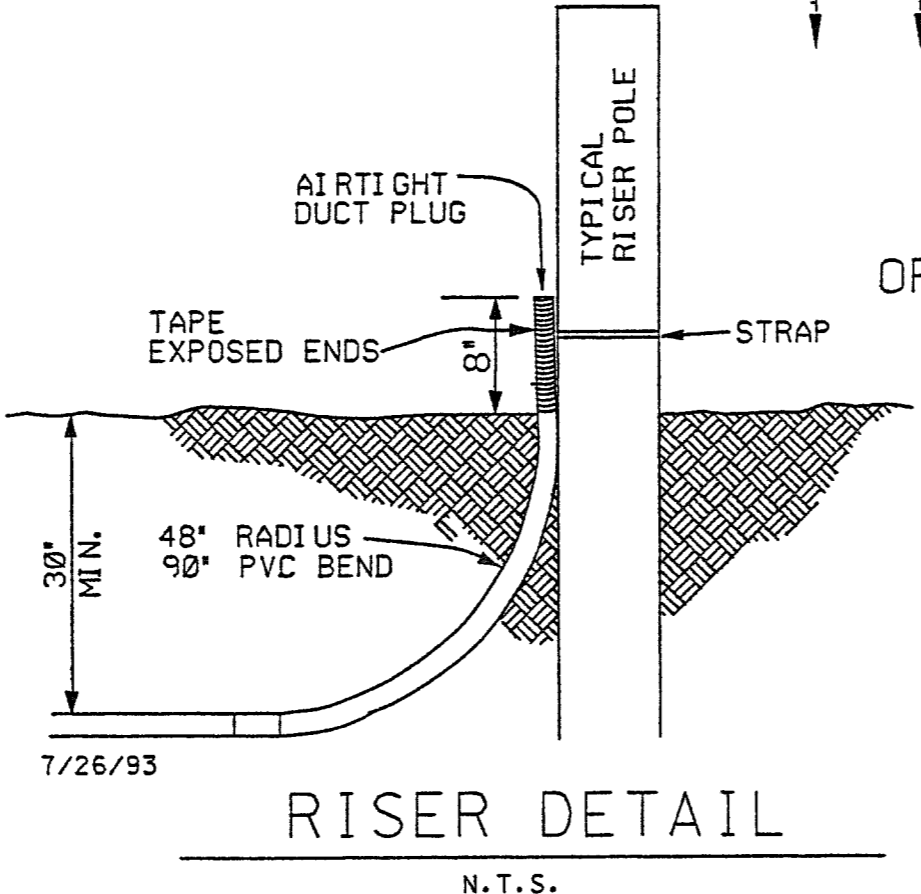
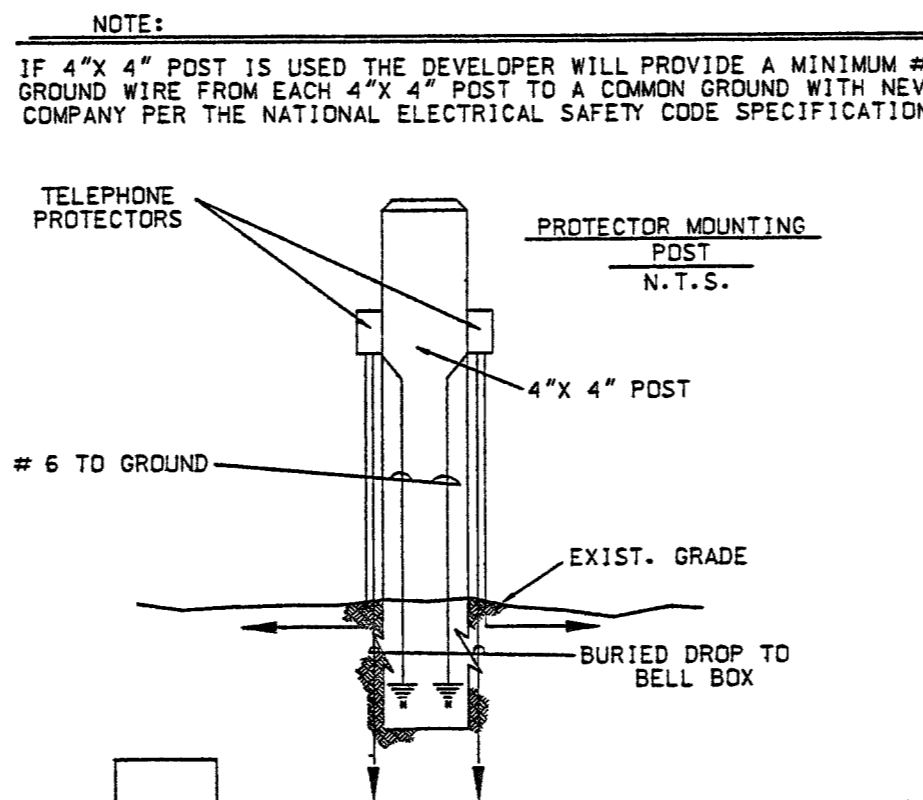
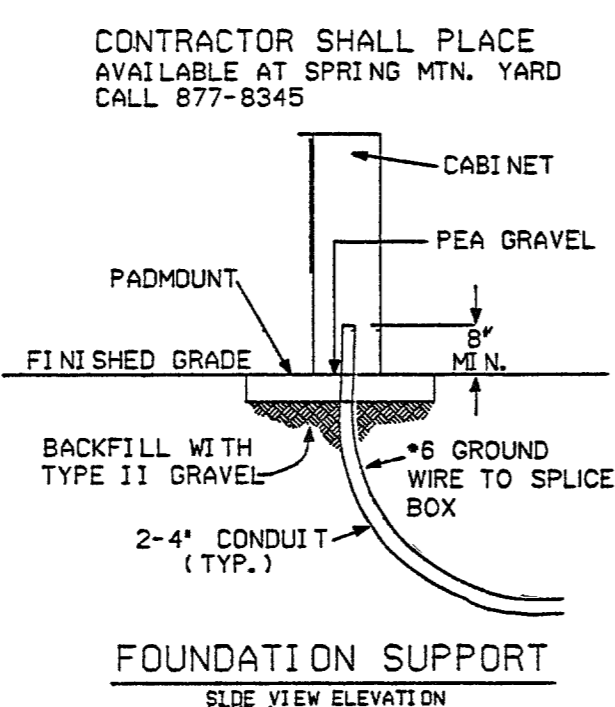
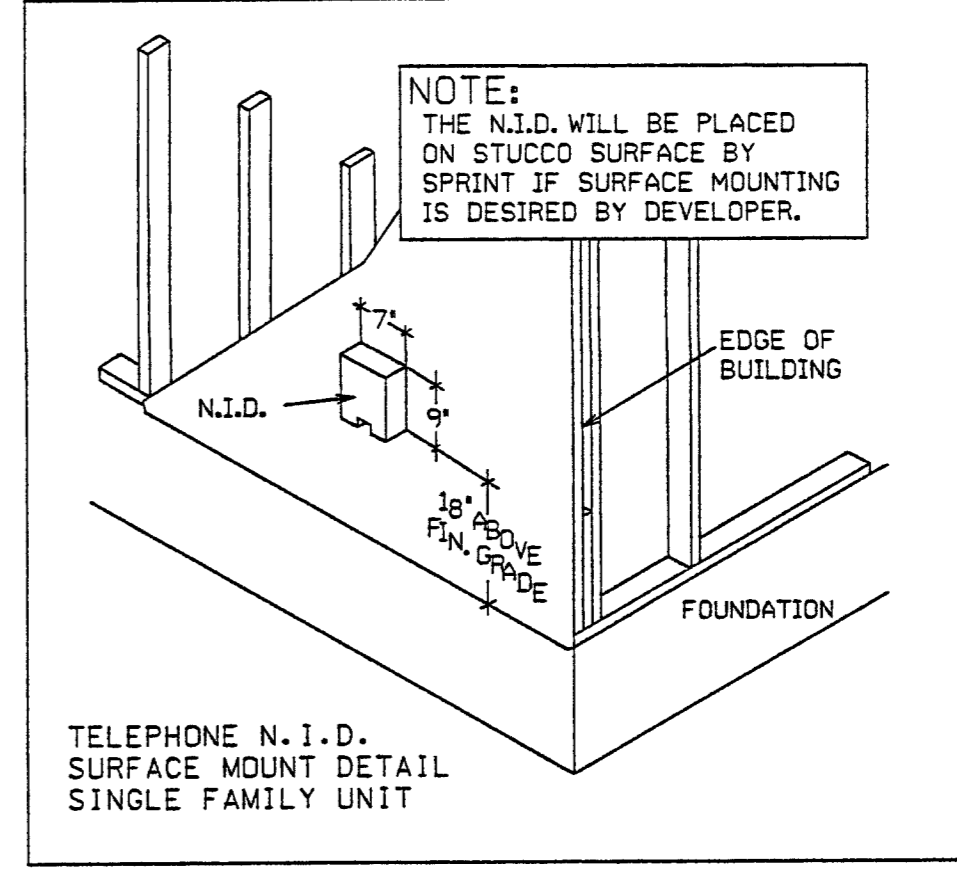
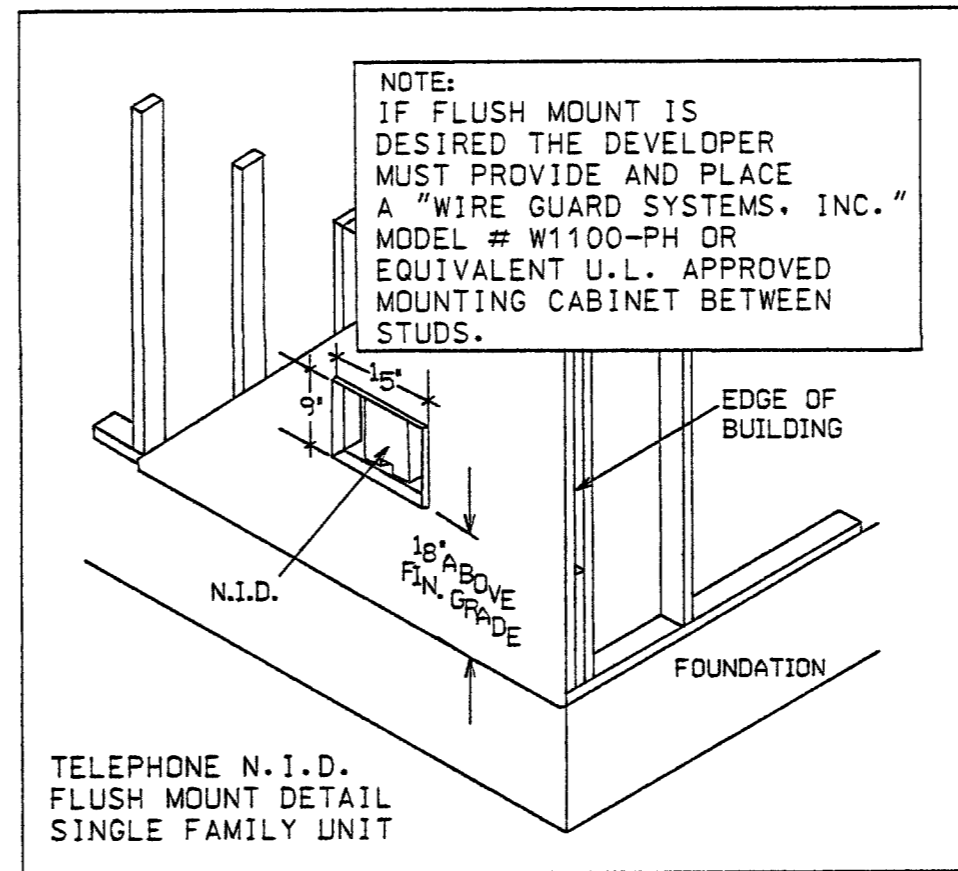
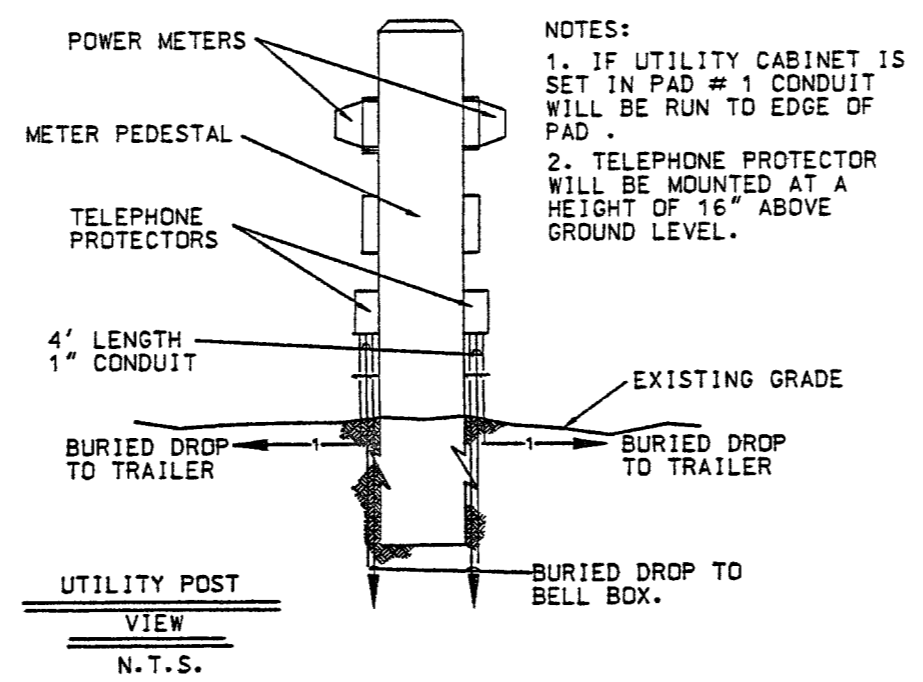
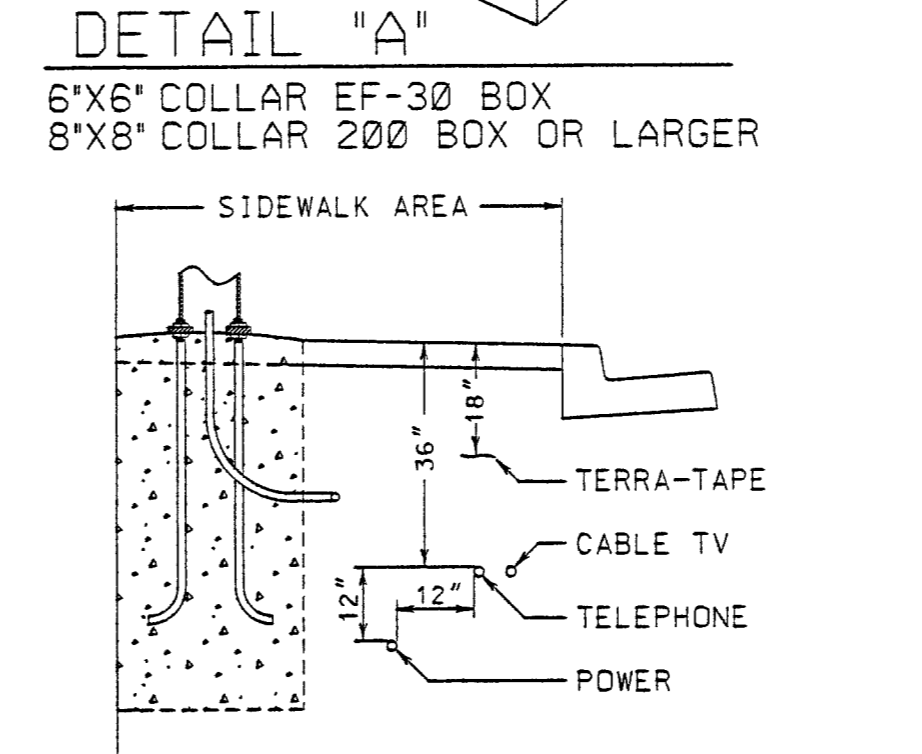
NOTE:

THESE PLANS WILL
EXPIRE SIX MONTHS
FROM DATE OF ISSUE

97527



CONTRACTOR/DEVELOPER NOTE
ALL WORK REQUIRED OF YOU (TRENCHING, BOXES, CONDUIT, GROUTING, GROUNDING TERMINALS, ETC.) MUST BE COMPLETED AND INSPECTED A MINIMUM OF 45 DAYS PRIOR TO MOVE-IN IF OUR CUSTOMERS ARE TO HAVE TELEPHONE SERVICE WITHOUT DELAY.

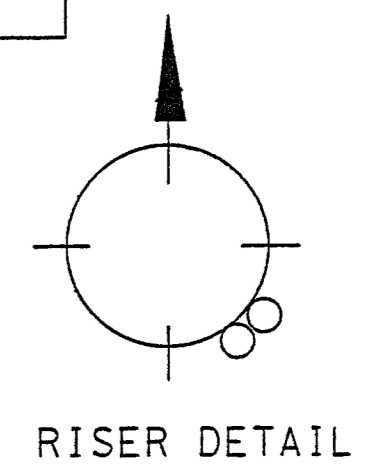


**CONSULT SPRINT TELEPHONE COMPANY SPECIFICATION FOR 3'X5'X4' PULLBOX TO DETERMINE WHETHER "TORSION ASSIST" OR "BEAM AND PLATE" COVER WILL BE UTILIZED.

Call before you Dig.
1-800-227-2600
UNDERGROUND SERVICE (USA)

T & S LEGEND

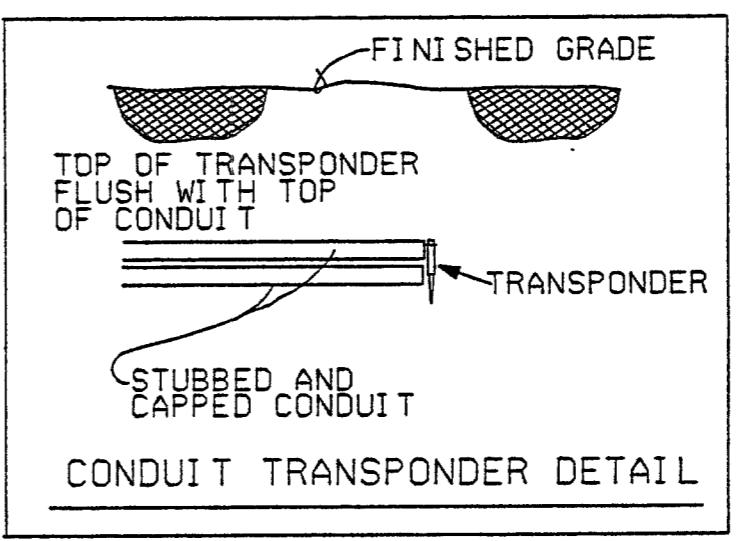
*** PULL BOX (3' X 5' X 4')	WITH TWO HINGED ALUMINUM TORSION ASSISTED TRAFFIC RATED LIDS MARKED 'TELCO', GALVANIZED STEEL ADJUSTING FRAME, AND 4-18 HOLE CABLE RACKS (2 EA. SIDE)
□ PULL BOX (2'-6" X 4' X 4')	
□ UTILITY BOX 17" X 30" X 29 1/2" WITH H20 LOADING BOLT DOWN COVER (TRAFFIC) MARKED 'TELCO'.	
△ SERVICE 9 5/8" X 16" X 12" WITH H20 LOADING COVER (TRAFFIC) MARKED 'TELCO'.	
⊗ PROPOSED SPRINT SERVING AREA TERMINAL.	
⊗ PROPOSED MANHOLE.	
⊗ PROPOSED TRANSPONDER.	
— PROPOSED CONDUIT IF LESS THAN 4" USE DB-60 TYPE	
— PROPOSED CONDUIT IF LARGER THAN 4" USE DB-100 TYPE	
— PROPOSED 1" PVC CONDUIT (DIRECT BURIAL GRADE).	
— TRENCH ROUTE.	
— EXISTING 2", 3", 3 1/2", 4" OR 5" PVC CONDUIT.	
— EXISTING 1" CONDUIT.	
⊗ PROPOSED GROUND ATTACHMENT AT POWER TRANSFORMER.	
⊗ TERMINAL CABINET, 48" X 48" X 6", RAIN TIGHT HINGED DOOR, UNDERWRITER LABORATORY APPROVED, EQUIPPED WITH 3/4" PLYWOOD BACKBOARD, PLACED BY DEVELOPER (FOR 100 PAIR CABLE).	
⊗ TERMINAL CABINET, 36" X 36" X 6", RAIN TIGHT HINGED DOOR, UNDERWRITER LABORATORY APPROVED, EQUIPPED WITH 3/4" PLYWOOD BACKBOARD, PLACED BY DEVELOPER (FOR 50 PAIR CABLE).	
⊗ TERMINAL CABINET, 24" X 24" X 6", RAIN TIGHT HINGED DOOR, UNDERWRITER LABORATORY APPROVED EQUIPPED WITH 3/4" PLYWOOD BACKBOARD, PLACED BY DEVELOPER (FOR 25 PAIR CABLE).	



SPECIAL NOTE:

ANY MODIFICATIONS TO SPRINT TELEPHONE'S DESIGN MUST BE APPROVED BY THE: ENGINEER: LYN SHIRKY

TEL #: 244-1088



TRENCH & SUBSTRUCTURE REQUIREMENT	R. Booth	24189256
	244-7675	
EASTON PLACE AT PROVIDENCE PH 2	J.C. Elliott	4-17-06
SHAUMBER & DEER SPRINGS	NO SCALE	2 2

1574911-25PR