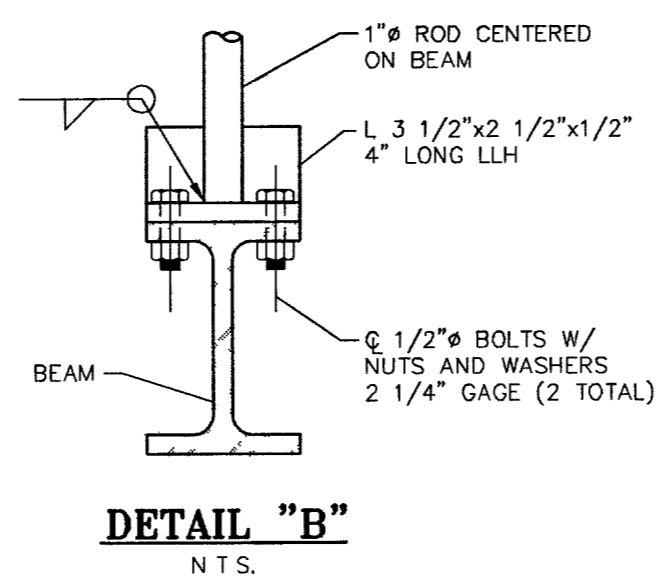
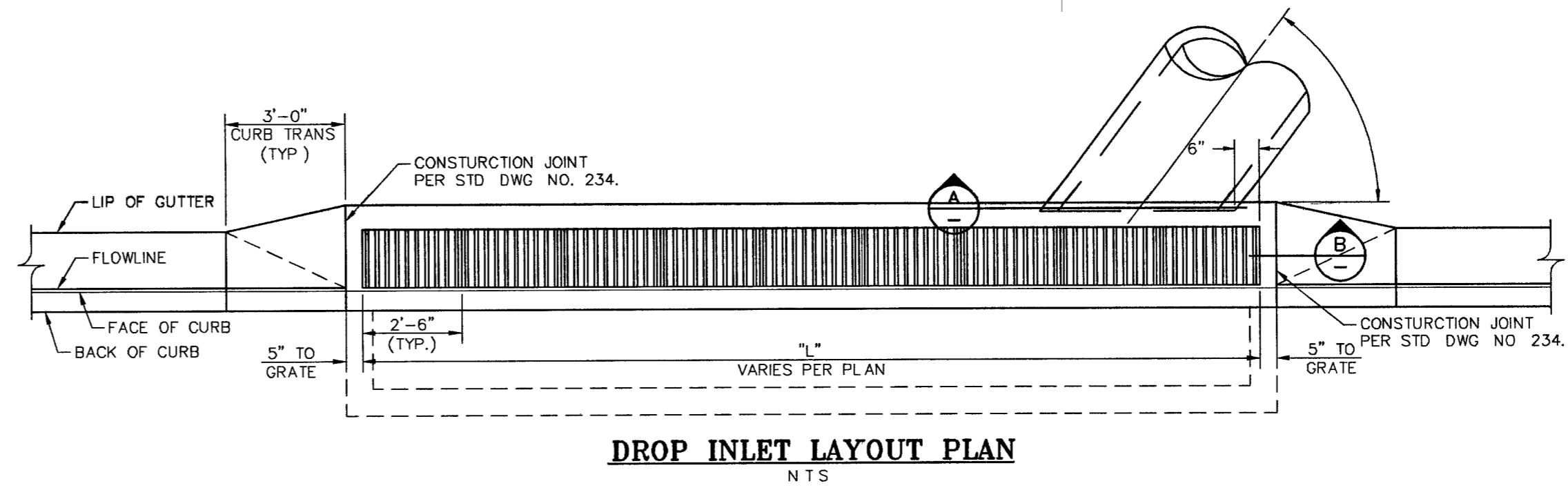


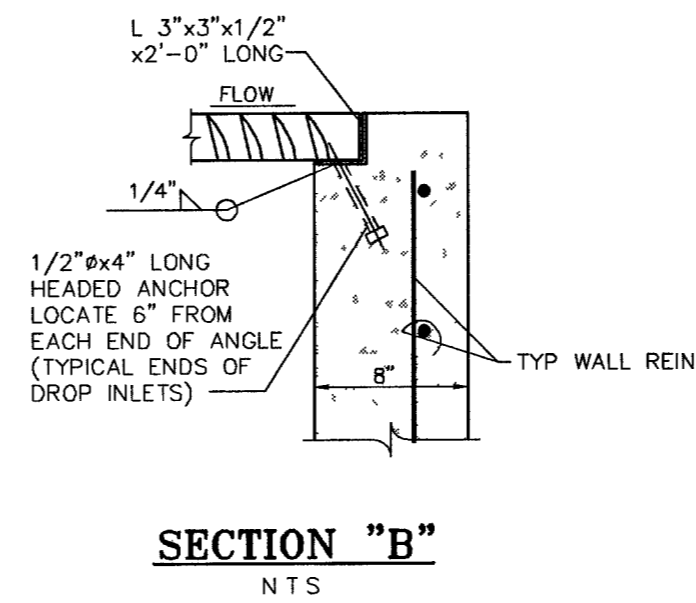
SECTION "A"
N.T.S.



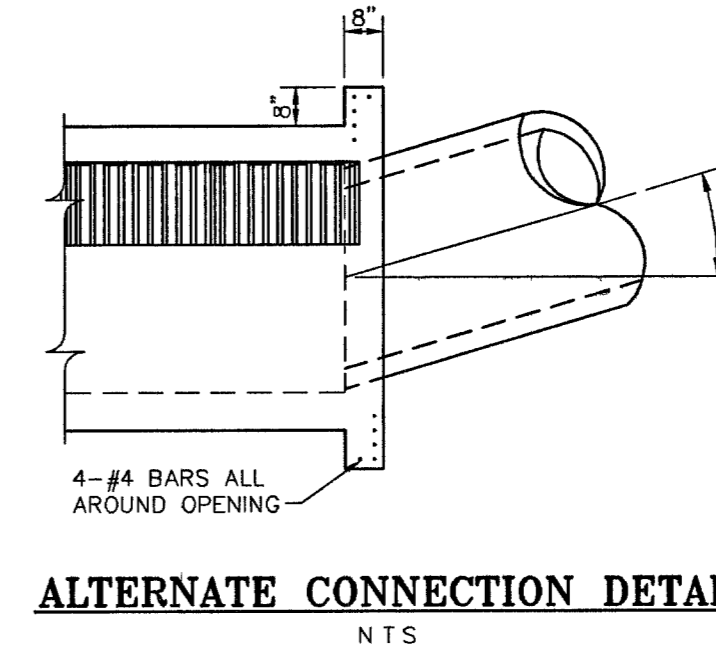
DETAIL "B"
N.T.S.



DROP INLET LAYOUT PLAN
N.T.S.



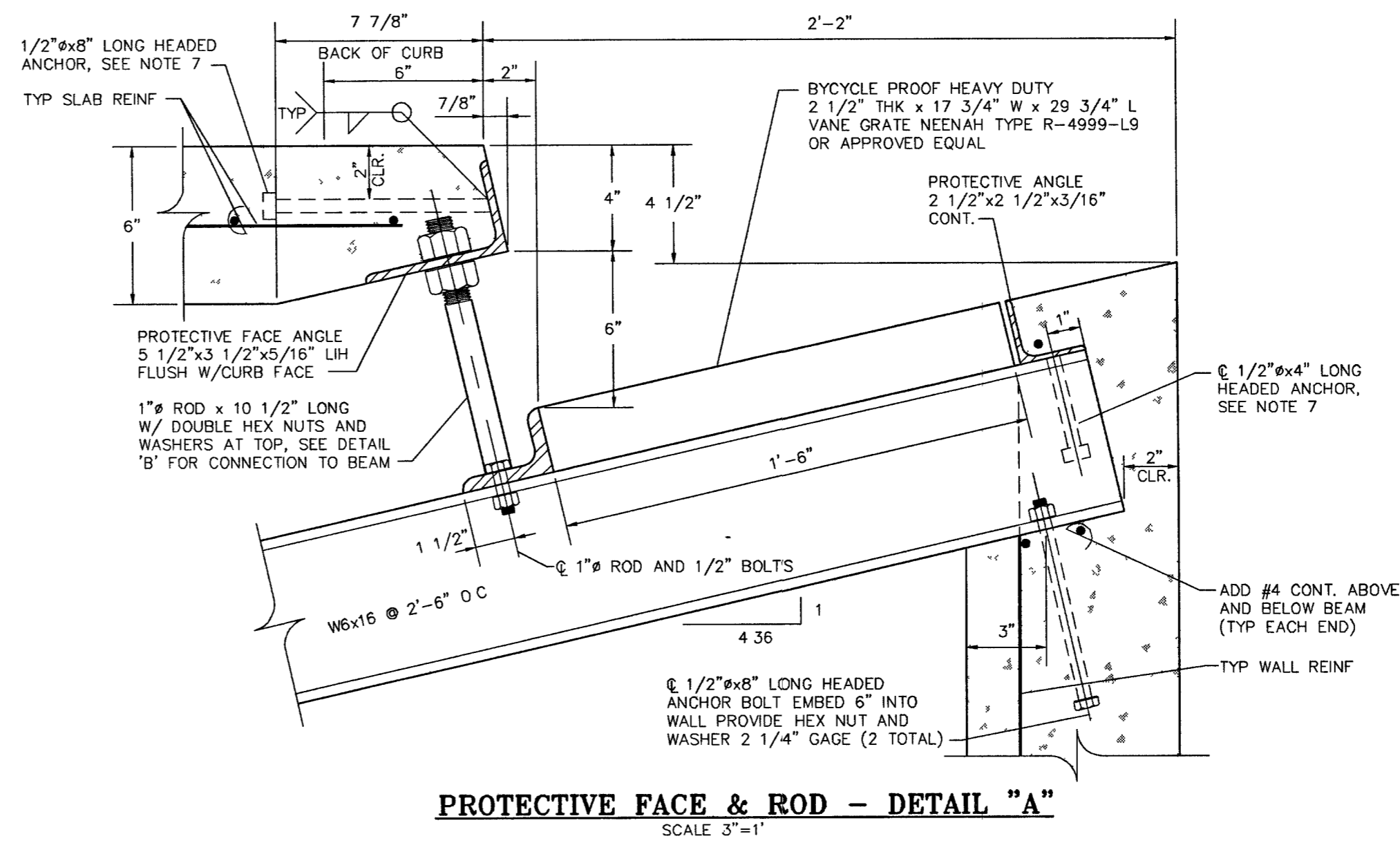
SECTION "B"
N.T.S.



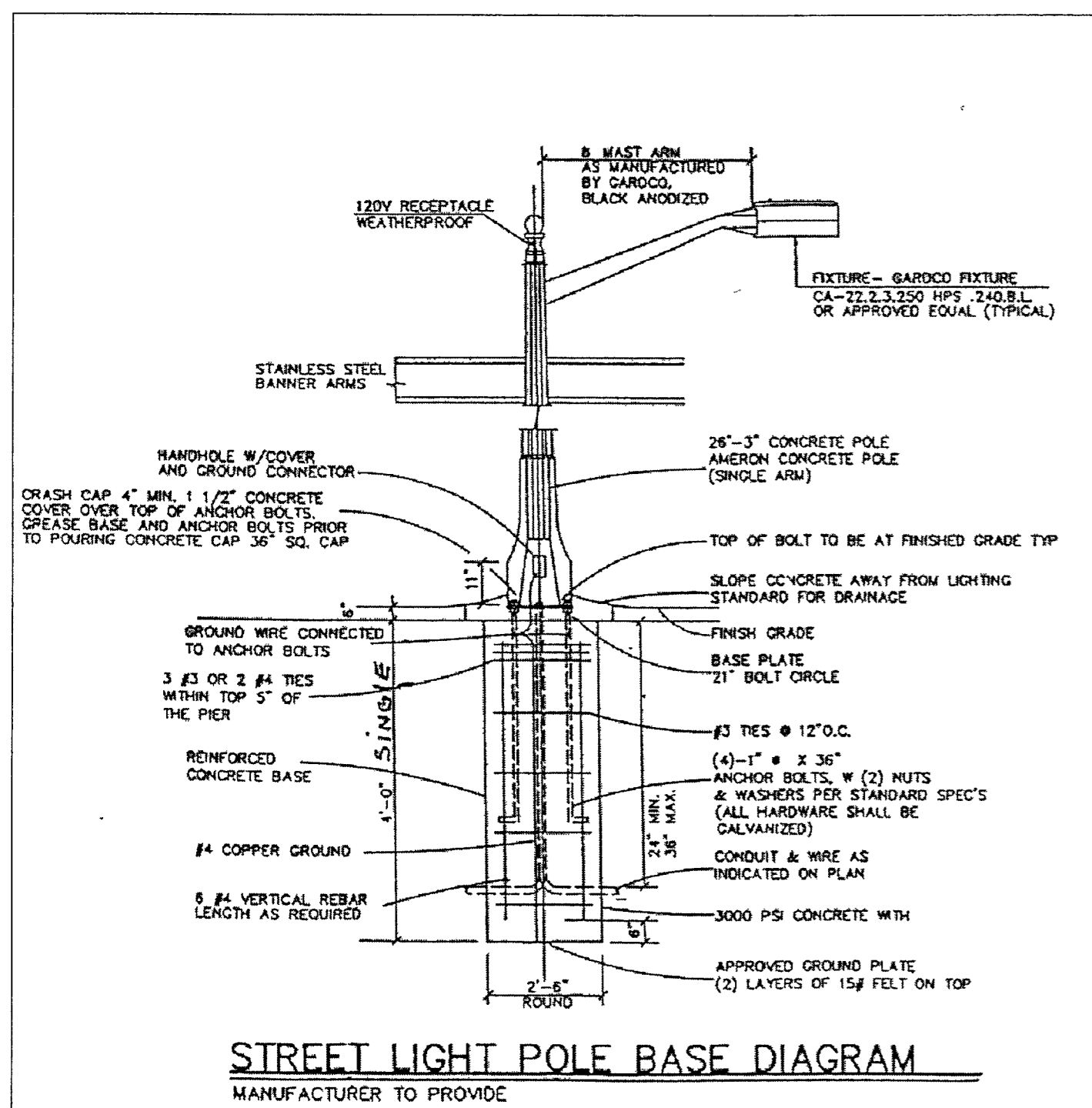
ALTERNATE CONNECTION DETAIL
N.T.S.

NOTES:

1. ALL EXPOSED METALS SHALL BE HOT DIP GALVANIZED AFTER FABRICATION
2. PROVIDE 1/2" (MIN.) CLEARANCE ALL AROUND THE STEEL BEAM, DRY PACK AFTER INSTALLATION.
3. WHEN REQUIRED BY LENGTH OF OPENING, PLATE ANGLE MAYBE DELIVERED IN SECTIONS AND BUTT WELDED IN PLACE.
4. ALL GALVANIZING DAMAGED BY WELDING SHALL RECEIVE TWO COATS OF GALVALLOY OR EQUAL.
5. CONCRETE SHALL BE MODIFIED CLASS DA, SEE SPECIAL PROVISIONS SECTION 501.
6. SEE GENERAL NOTES FOR STRUCTURES ON DWG DB.
7. ANGLE ANCHORS SHALL BE EMBEDDED MIDPOINT IN EACH ENDWALL AND EVENLY SPACED (MAXIMUM SPACING OF 2')

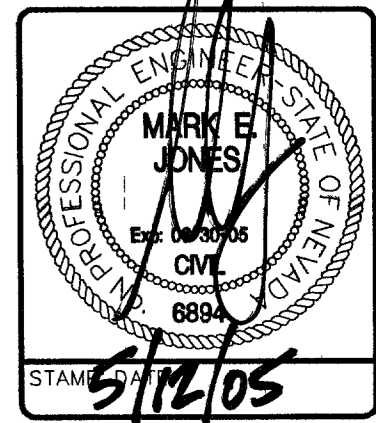


PROTECTIVE FACE & ROD - DETAIL "A"
SCALE 3/4"=1"



STREET LIGHT POLE BASE DIAGRAM
MANUFACTURER TO PROVIDE

NO.	DATE	BY	APP'D	REVISION DESCRIPTION



3610 North Rancho Drive
Las Vegas, Nevada 89130
Telephone: (702) 648-9700
Fax: (702) 648-4143

SOUTHWEST ENGINEERING
LAND PLANNING • MAPPING • DEVELOPMENT

BEAZER HOMES OF NEVADA
4670 S. FORT APACHE
LAS VEGAS, NV 89147
PH (702) 837-2100
FAX (702) 837-2101

GRADING NOTES AND DETAILS

ELKHORN RD. AND FORT APACHE

BEAZER HOMES OF NEVADA
CITY OF LAS VEGAS

TITLE	GRADING NOTES AND DETAILS
PROJECT	ELKHORN RD. AND FORT APACHE
WORK ORDER NO.	040519
DESIGN BY:	M. JAMES
DATE:	04/20/05
SCALE:	NONE
CADFILE:	EF-GN.DWG
SHEET	5 OF 15 SHEETS
CLV DWG. NO.	10744872

81304

NOTICE TO CONTRACTOR !

EXISTING UTILITY LOCATIONS SHOWN HEREON ARE APPROXIMATE ONLY. IT SHALL BE THE CONTRACTOR'S RESPONSIBILITY TO DETERMINE THE EXACT VERTICAL AND HORIZONTAL LOCATION OF ALL EXISTING UNDERGROUND UTILITIES PRIOR TO COMMENCING CONSTRUCTION. NO REPRESENTATION IS MADE THAT ALL EXISTING UTILITIES ARE SHOWN HEREON. THE ENGINEER ASSUMES NO RESPONSIBILITY FOR UTILITIES NOT SHOWN OR UTILITIES NOT SHOWN IN THEIR PROPER LOCATION.

AVOID CUTTING UNDERGROUND UTILITIES. IT'S COSTLY.

CALL before you Dig

1-800-227-2600
UNDERGROUND SERVICE (USA)

