
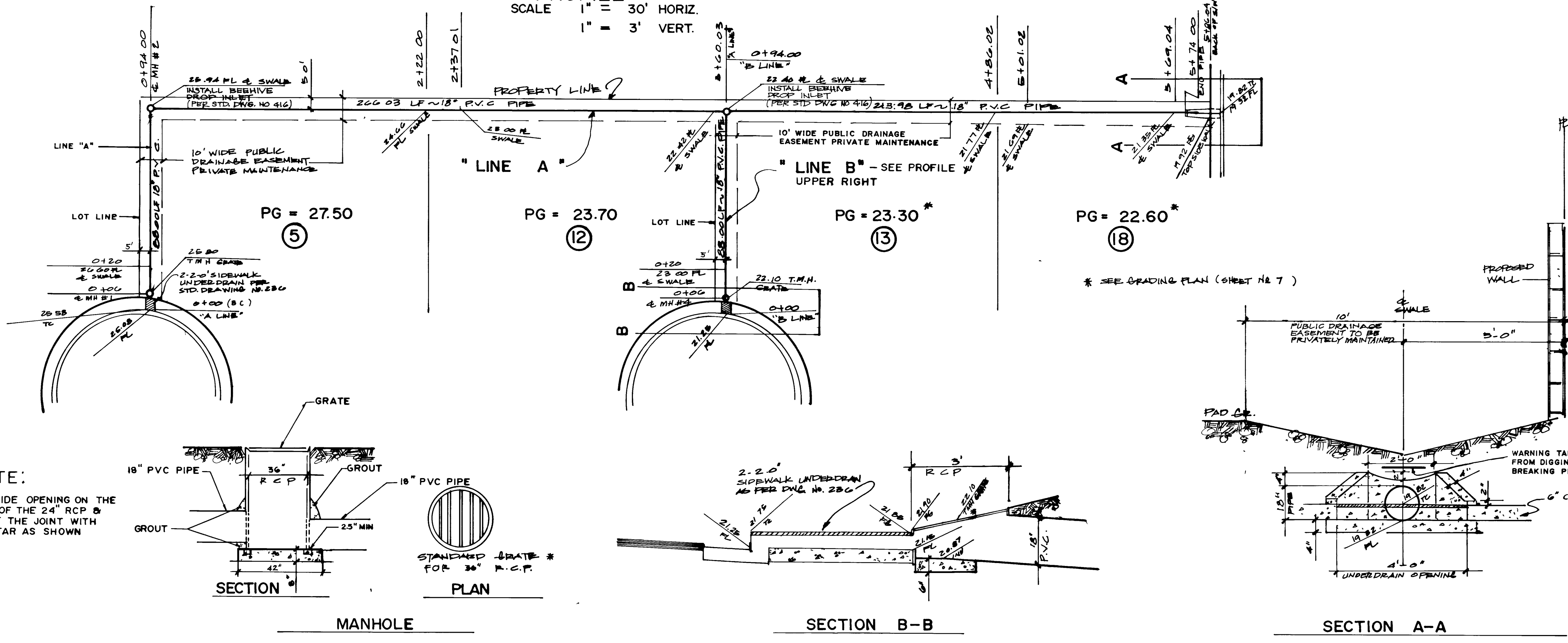
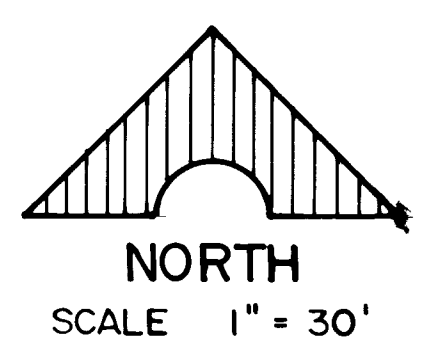


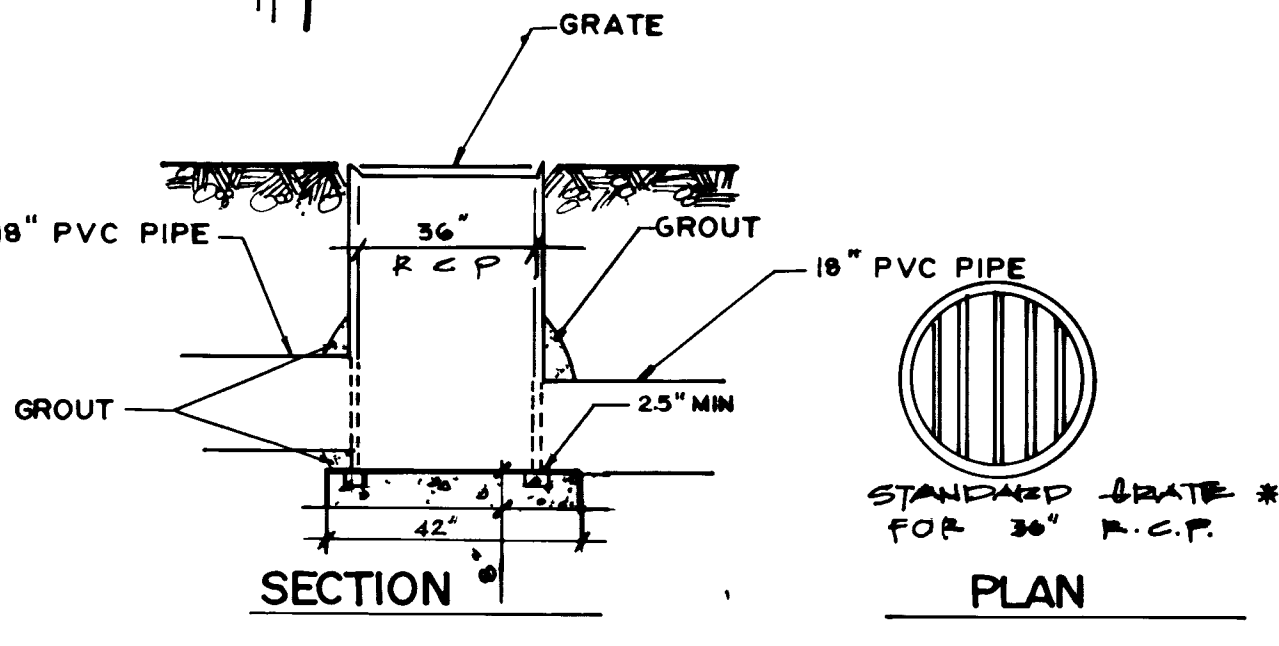
**ENGINEER'S CERTIFICATE:**  
 I CERTIFY THAT THIS GRADING PLAN IS IN CONFORMANCE WITH THE APPROVED DRAINAGE STUDY ON FILE AT THE CITY OF LAS VEGAS FOR THIS PROJECT.


  
 5/9/97  
 DATE

**PROFILE**  
 SCALE 1" = 30' HORIZ.  
 1" = 3' VERT.



**NOTE:**  
 PROVIDE OPENING ON THE SIDE OF THE 24" RCP & GROUT THE JOINT WITH MORTAR AS SHOWN



\* - STD. GRATE, R-1632 BY NEENAH FOUNDRY CO OR APPROVED EQUAL.

RECOMMENDED BY:	REVISION:	DATE:	DESCRIPTION:
LEONARDO J. DELUNA	1	5/9/97	STORM DRAIN PLAN
788 61477			
3784	12/6/96		
LEONARDO J. DELUNA			

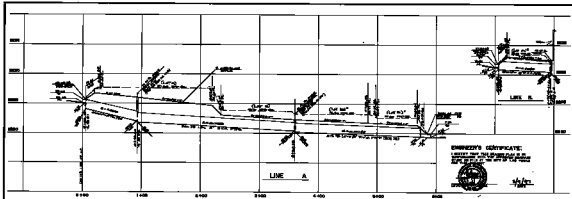
**DeLUNA, INC.**  
 ENGINEERING • PLANNING • SURVEYING  
 7310 SMOKE RANCH ROAD, SUITE T, LAS VEGAS, NEVADA 89108, (702) 255-6242

**VEGAS HOMES, INC.,**  
 DIXON ESTATES  
**STORM DRAIN PLAN & PROFILE**

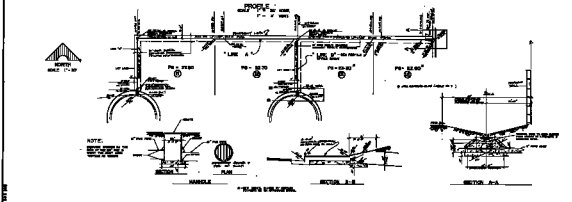
SHEET CONTENTS:  
 SHEET 7A OF SHEETS

9418 (06)

275 11-26-70 107Y-4432



**ENGINEER'S CERTIFICATE:**  
 I HEREBY CERTIFY THAT THE DRAINAGE PLAN IS IN ACCORDANCE WITH THE CITY OF TAMPA  
 ENGINEERING DEPARTMENT

**NOTE:**  
 ALL DIMENSIONS ARE IN FEET AND INCHES UNLESS OTHERWISE SPECIFIED.  
 ALL ANGLES ARE IN DEGREES UNLESS OTHERWISE SPECIFIED.

SECTION 1-1

SECTION 2-2

SECTION 3-3

SECTION 4-4

PROJECT NO. 1126-B  
 SHEET NO. 7A  
 DATE 11/26/80

**DELJARA, INC.**  
 ENGINEERING • PLANNING • SURVEYING  
 1126-B  
 TAMPA, FLORIDA 33606

CITY ENGINEER  
 TAMPA, FLORIDA

CITY ENGINEER  
 TAMPA, FLORIDA

CITY ENGINEER  
 TAMPA, FLORIDA