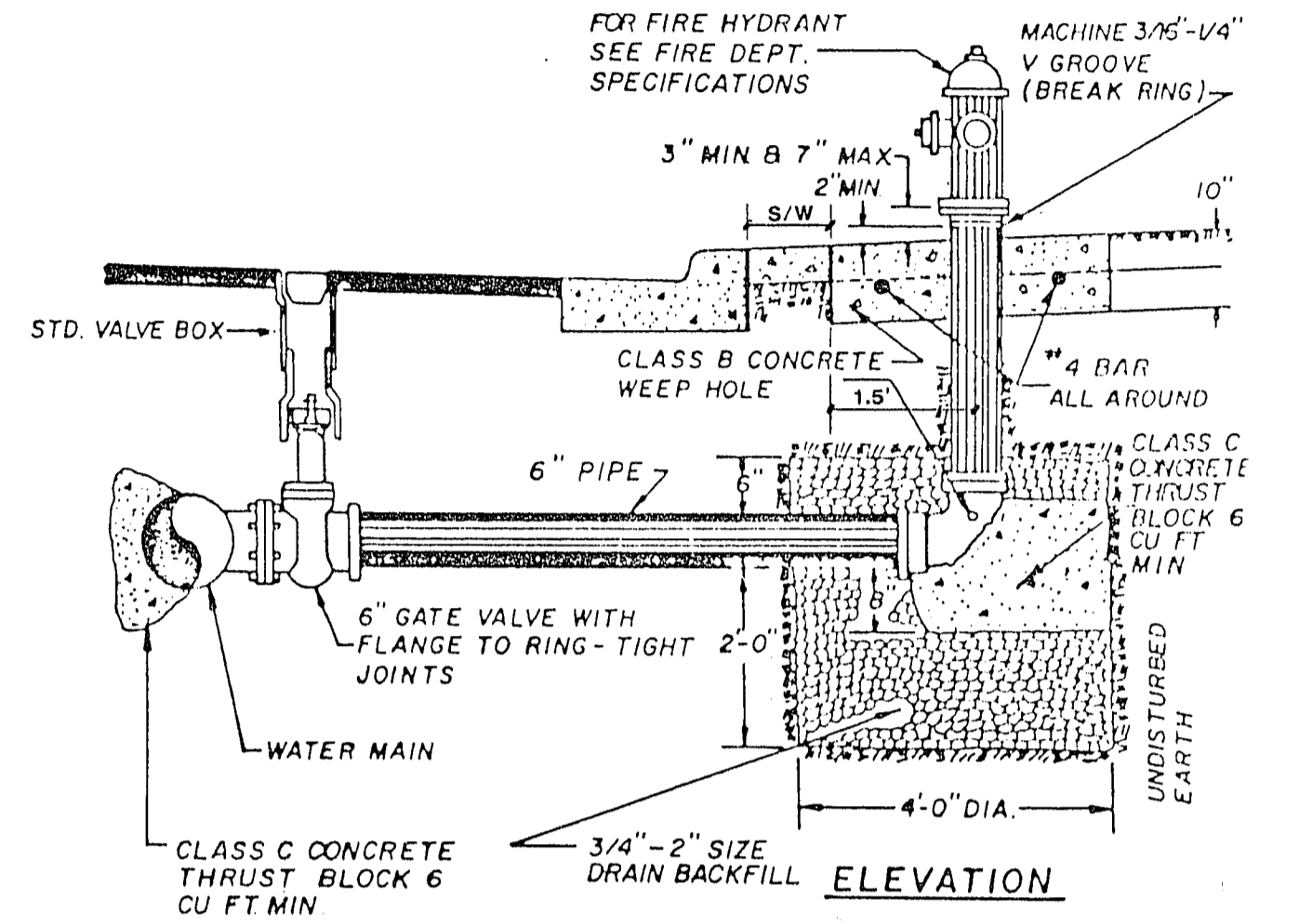
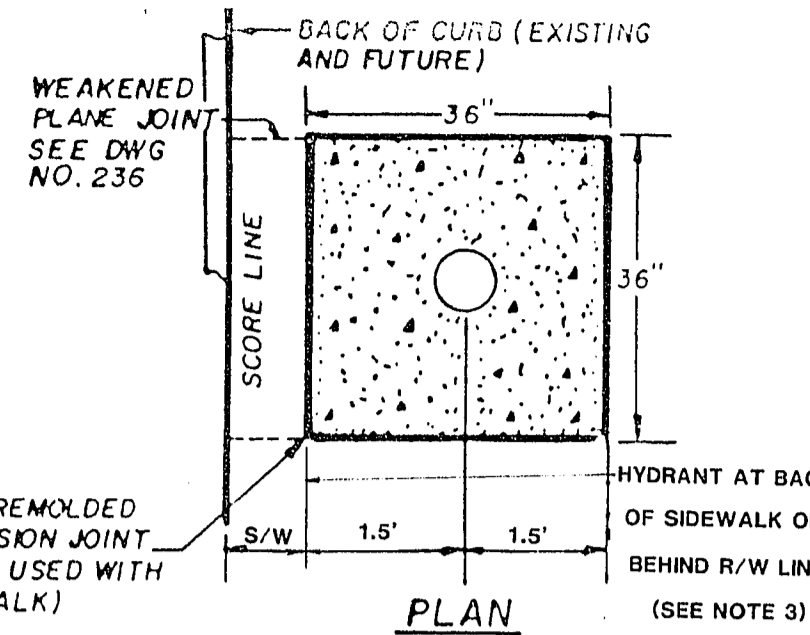


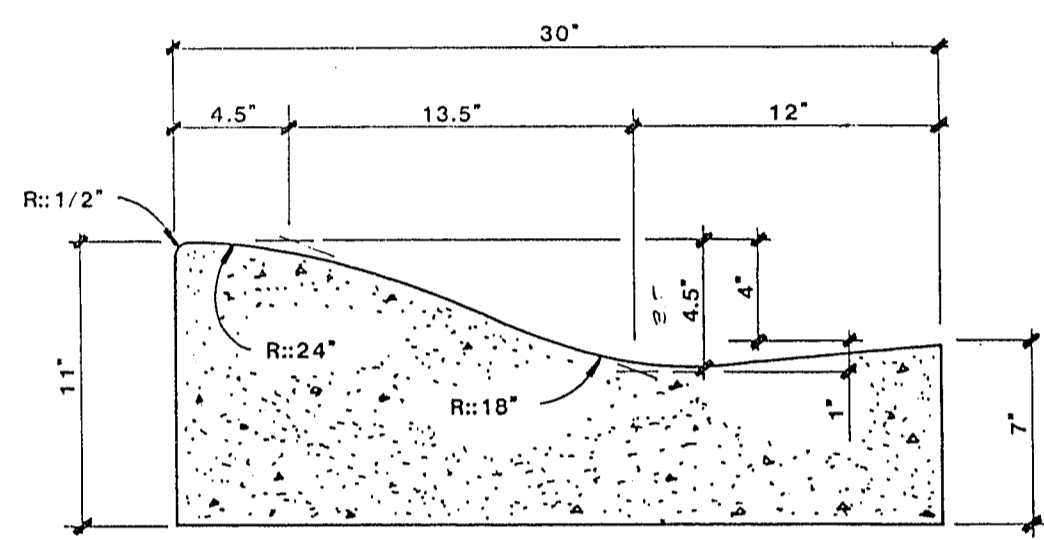
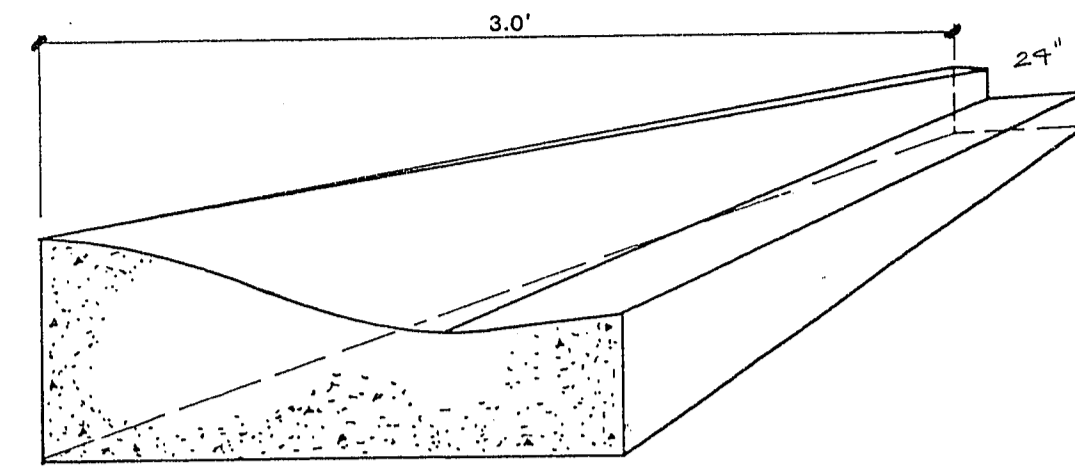
NOTES:

1. NO HYDRANT SHALL BE LOCATED WITHIN 15' OF ANY DRIVEWAY, 6' OF POWER POLE, LIGHT STANDARD, OR ANY OTHER OBSTRUCTION.
2. IF HYDRANT IS TO BE INSTALLED IN AN EXISTING SIDEWALK, A FULL PANEL OF THE SIDEWALK SHALL BE REMOVED AND REPLACED AFTER INSTALLATION OF THE HYDRANT.
3. WHEN R/W AND FIELD CONDITIONS PERMIT THE FIRE HYDRANT SHALL BE PLACED BEHIND THE SIDEWALK.

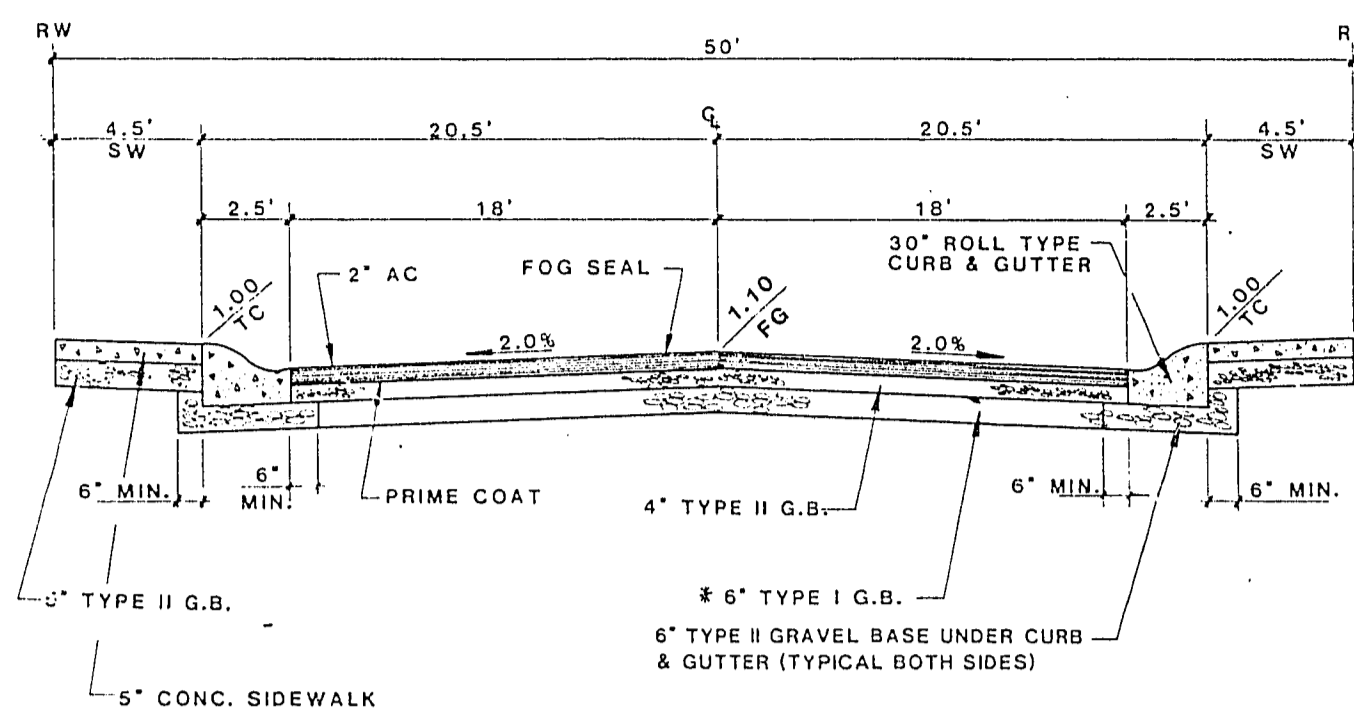


CLV. STD. DWG. #516  
TYPICAL FIRE HYDRANT DETAIL

FROM "L" TO "ROLL" TYPE CURB DETAIL

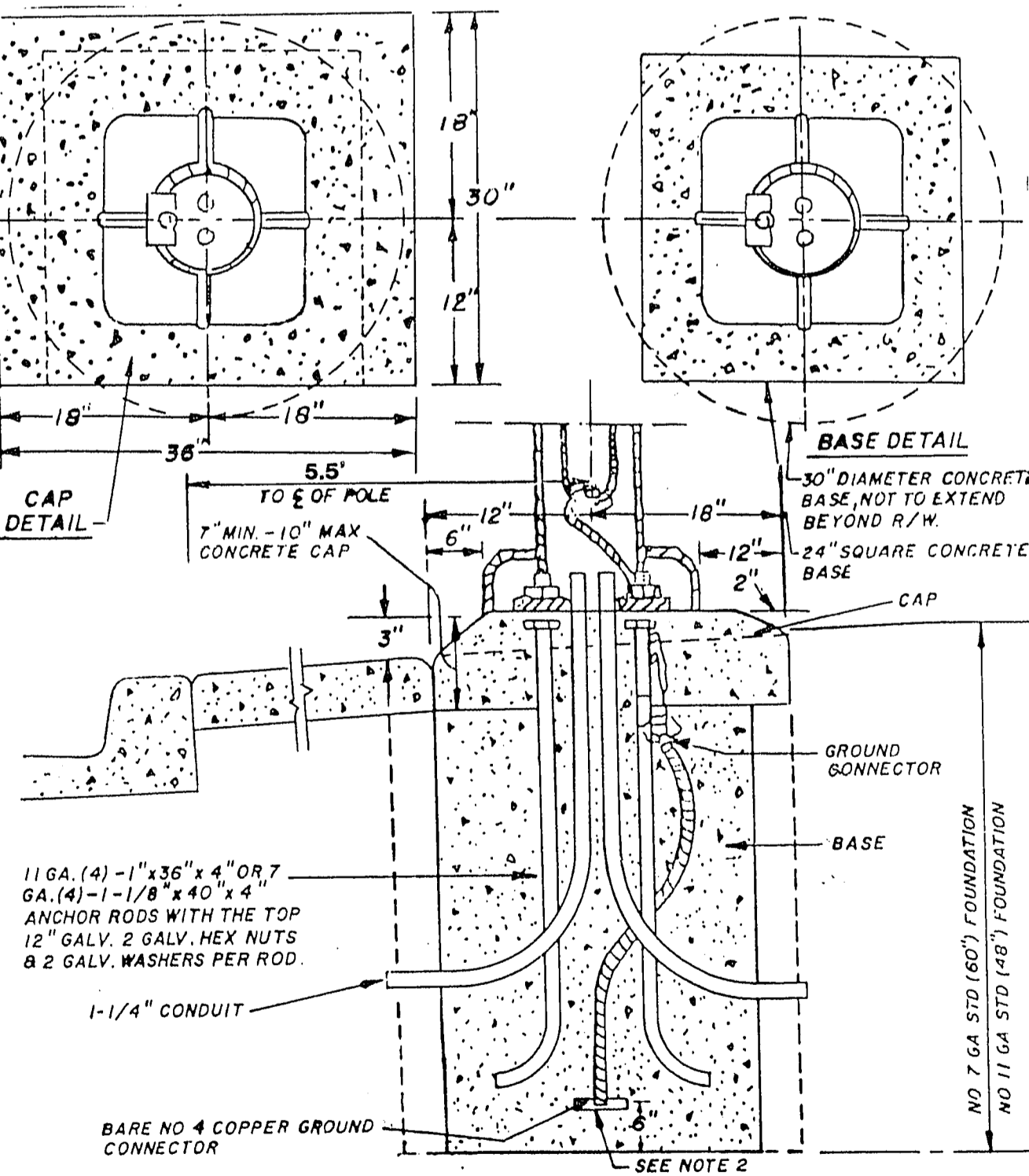


30" "ROLL" TYPE CURB AND GUTTER



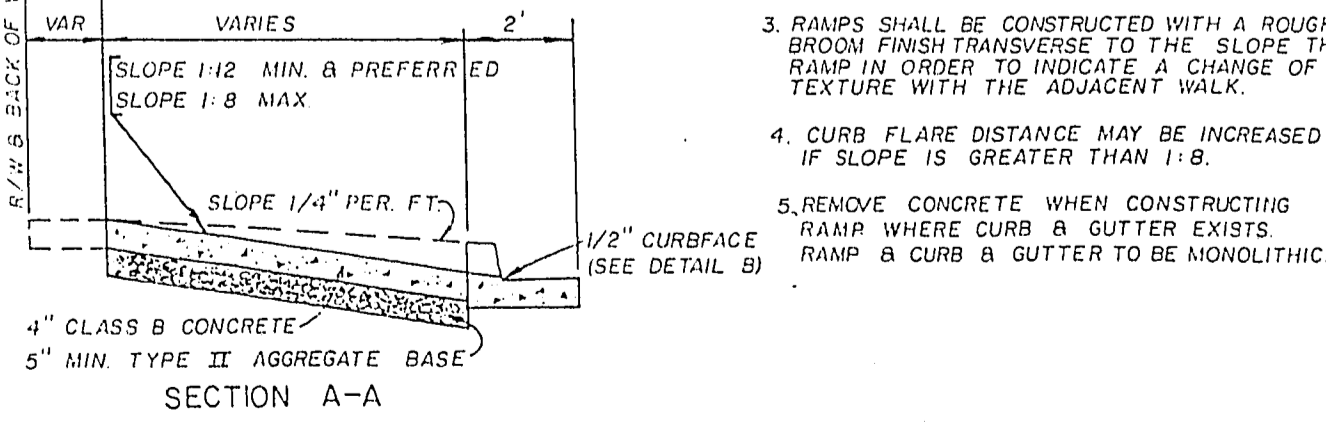
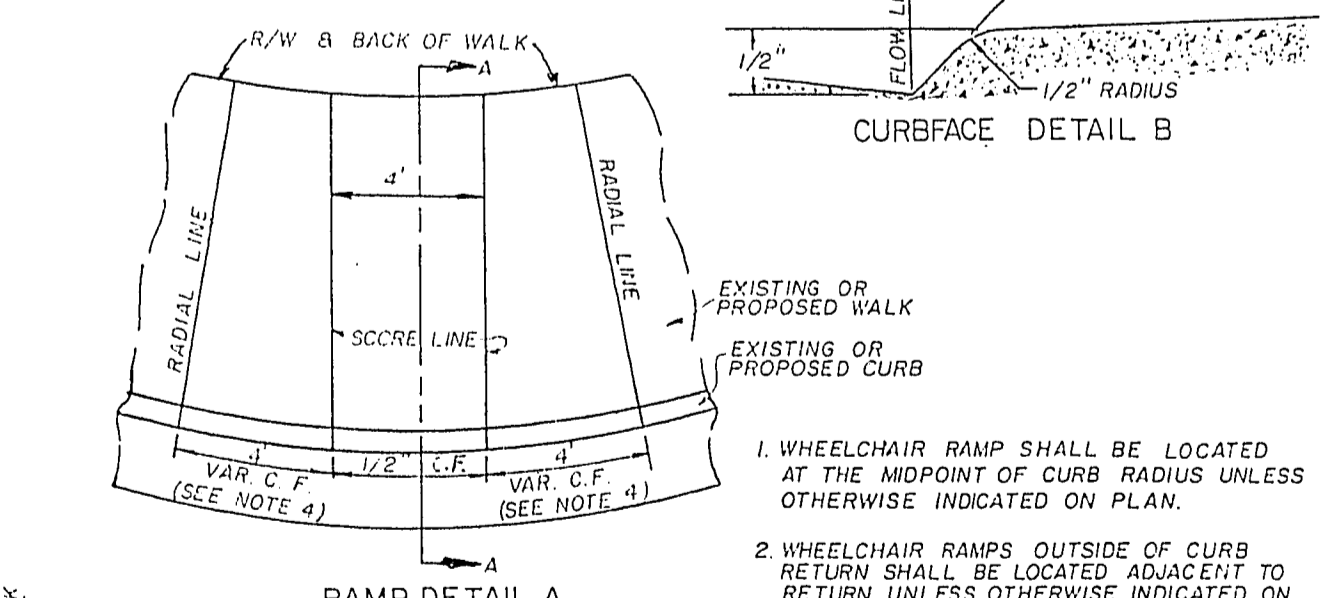
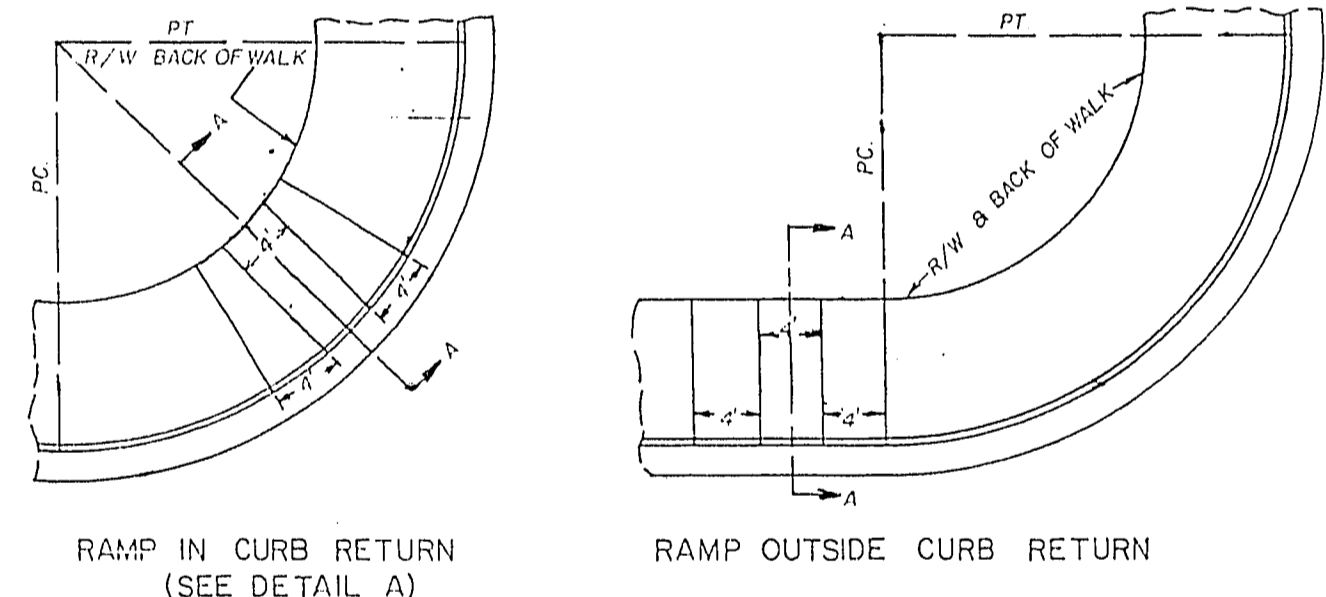
- \* 1. NATIVE MATERIAL TO BE PROCESSED IN ACCORDANCE WITH CLV "STATEMENT OF POLICY FOR USE OF NATIVE MATERIAL IN LIEU OF INDOREX TYPE I BASE FOR DEDICATED CITY STREETS" DATED JULY 25, 1984.
2. 6" MINIMUM TYPE I OR TYPE II GRAVEL BASE UNDER CURB AND GUTTER.
3. A.C. PAVEMENT TO BE 1/2" (MIN.) ABOVE LIP OF GUTTER AFTER COMPACTION.

TYPICAL 50' STREET SECTION  
(INTERIOR STREETS)

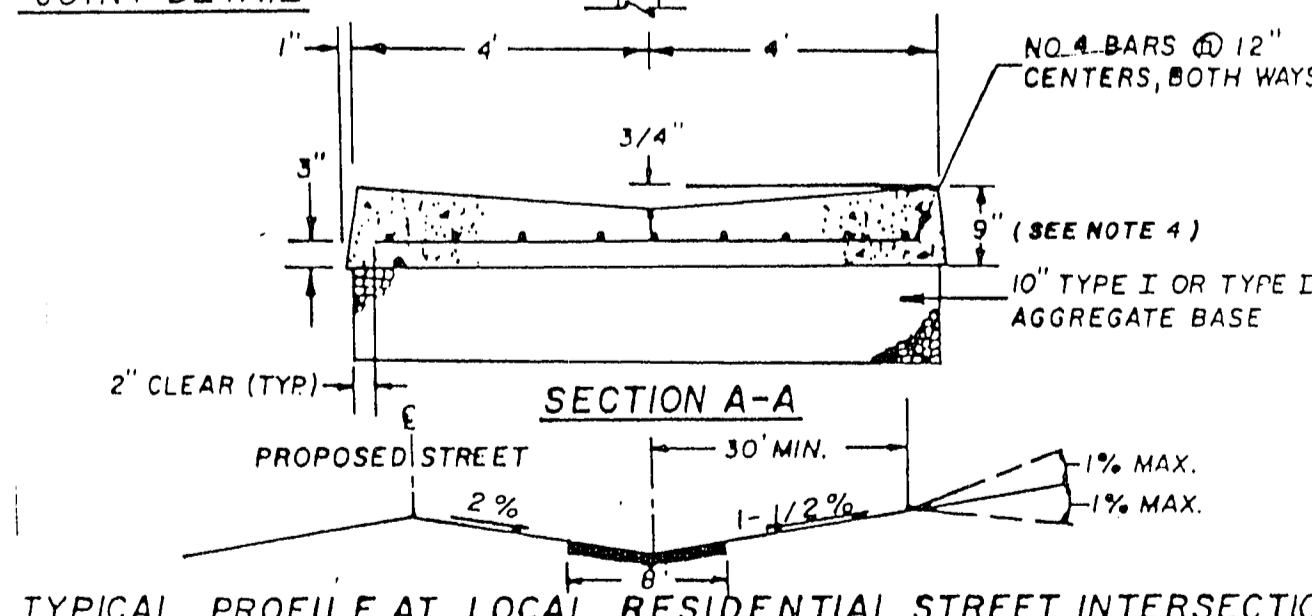
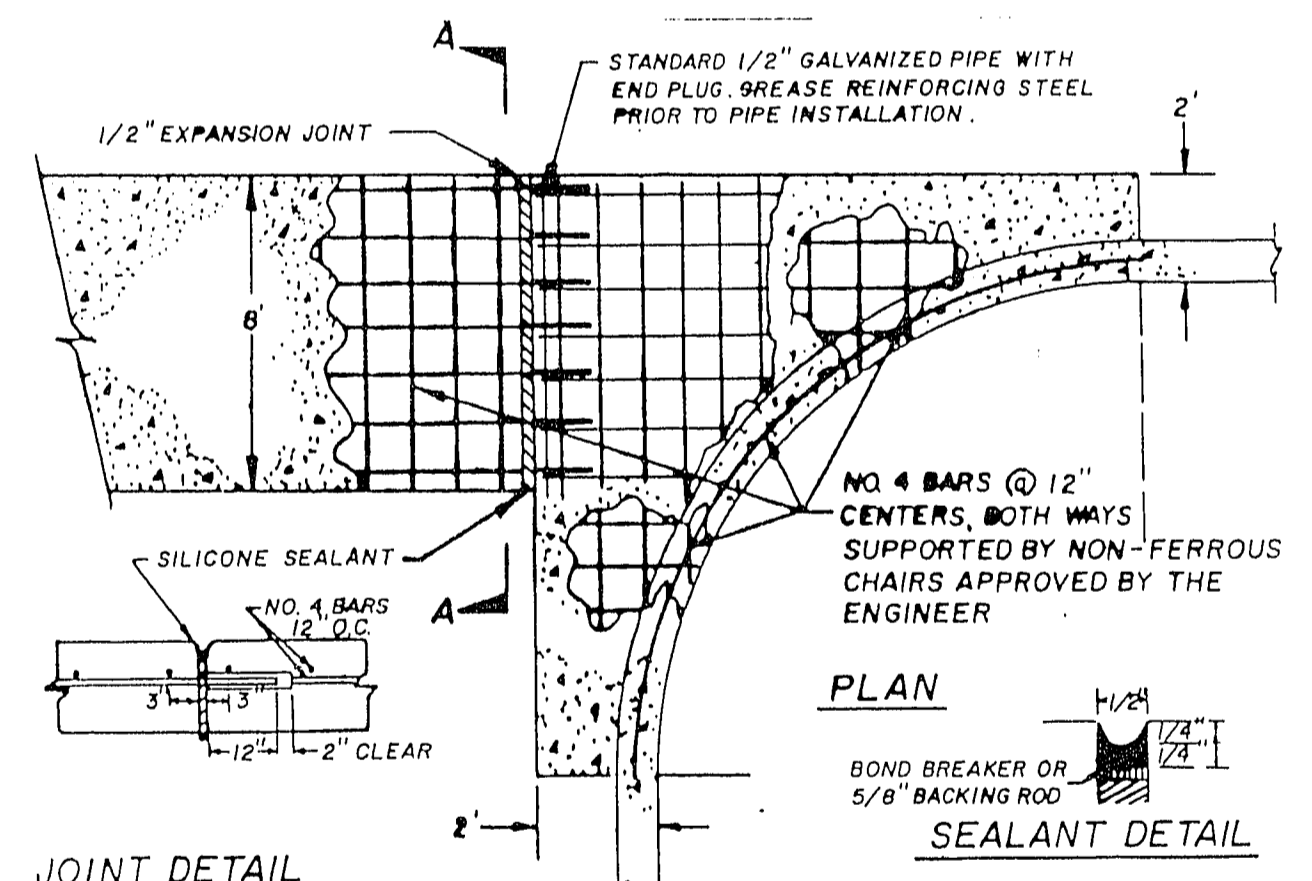


- NOTE 1  
TOP OF SLOPE IS DOWN AND AWAY FROM THE STANDARD FOR DRAINAGE.
- NOTE 2  
MADE ELECTRODE SHALL BE IN ACCORDANCE WITH ARTICLE 250-93 OF THE NATIONAL ELECTRICAL CODE & MUST BE COPPER OR COPPER PLATED.

CLV. STD. DWG. #319  
TYPICAL STREET LIGHT DETAIL



CLV. STD. DWG. #235  
TYPICAL WHEELCHAIR RAMP DETAIL



- TYPICAL PROFILE AT LOCAL RESIDENTIAL STREET INTERSECTIONS
1. ALL CONCRETE SHALL BE CLASS B.
  2. FINISHED ASPHALT CONCRETE SURFACE TO BE FLUSH WITH CROSS GUTTER LIP.
  3. CONSTRUCTION OF CROSS GUTTER IS NOT ALLOWED ACROSS MAJOR COLLECTOR OR ARTERIAL STREETS.
  4. ADJACENT SPANDREL SHALL BE 8" THICK P.C.C.

CLV. STD. DWG. #228  
TYPICAL VALLEY GUTTER DETAIL

REV	DATE	BY	REVISION
1	11-11-89	PC	CHANGE DATE TO JULY 25, 1984
2	6-24-89	TB	REV. STREET LIGHT & FIRE HYDRANT DETAILS ADD CLV STD #516

ES&S ENGINEERS & SURVEYORS INC.  
1000 W. BROADWAY, SUITE 100, DENVER, CO 80202

SUBMITTED BY:  
*Robert C. ...*

DETAIL SHEET

PROJECT  
DAVE BROWN WEST UNIT NO. 3

1-800-227-2600  
UNDERGROUND SERVICE (USA)

WO NO.	5260
BY	PB
DATE	12/88
SCALE	NONE

SHEET  
2  
OF 8 SHEETS