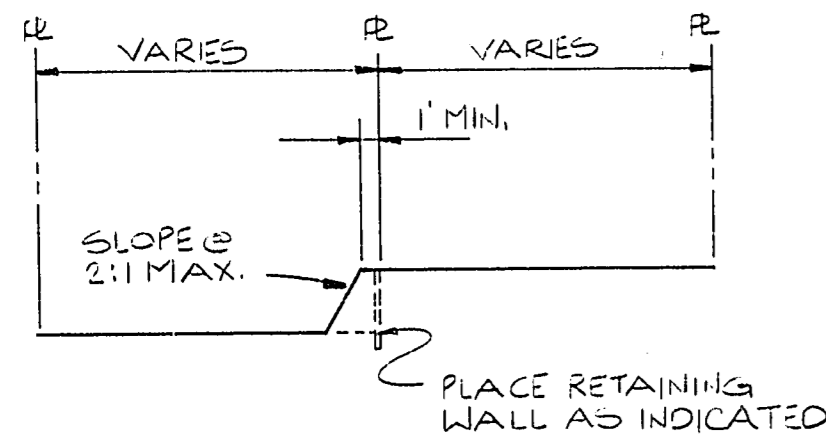
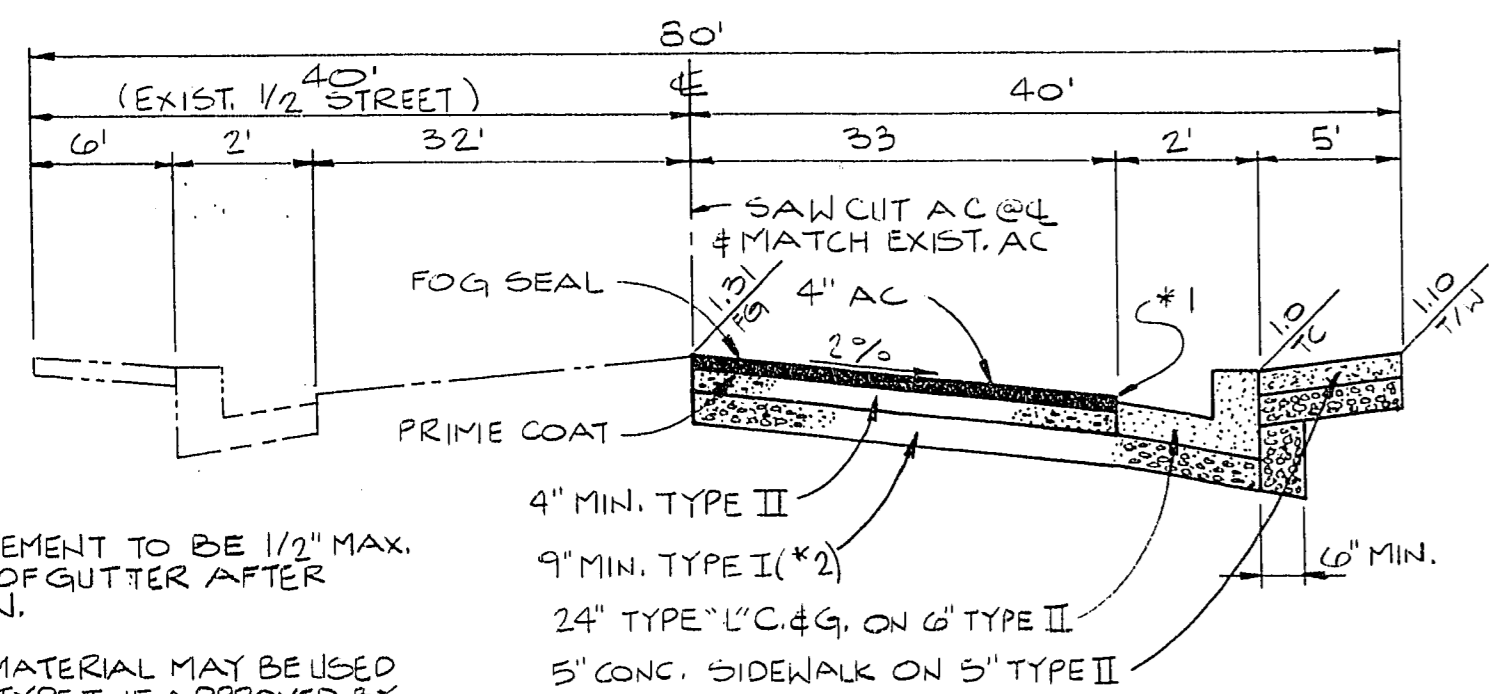


TYPICAL LONGITUDINAL GRADING PAD DETAIL

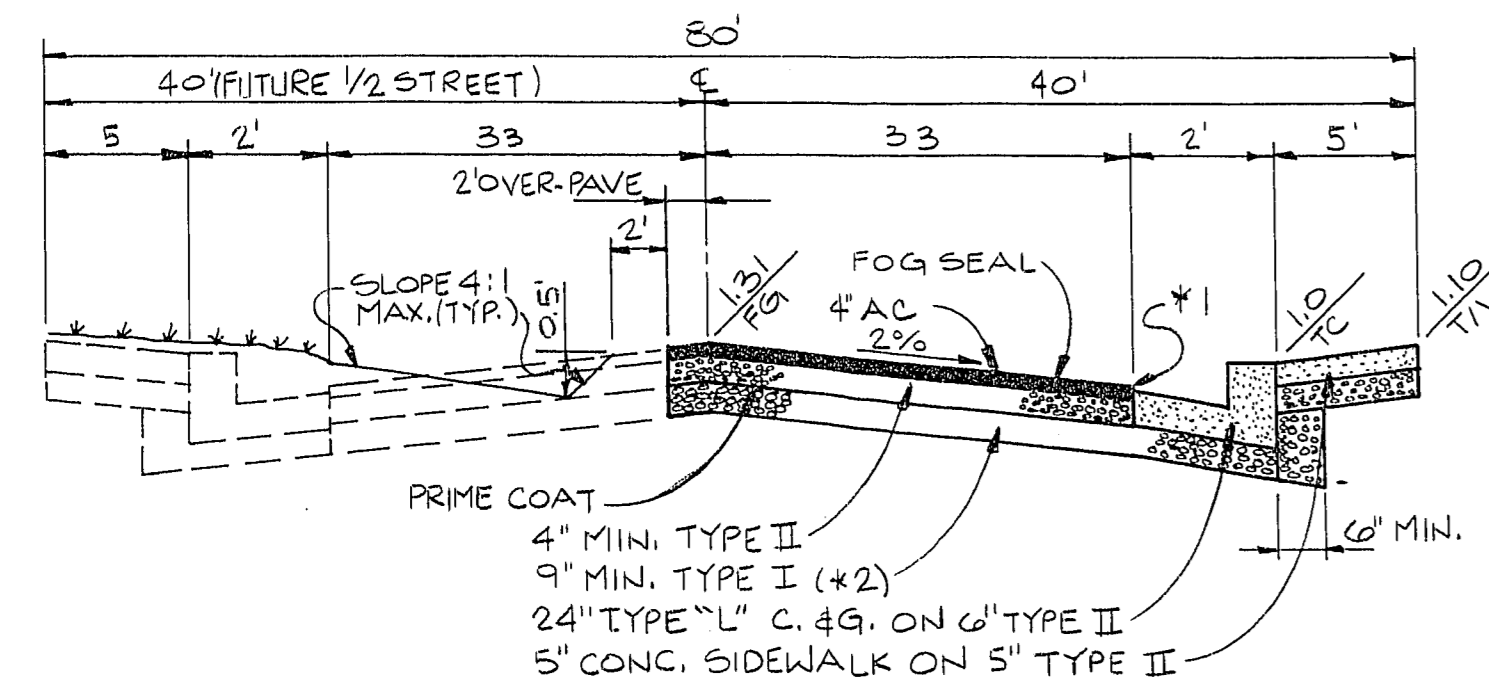


TYPICAL CROSS-SECTIONAL GRADING PAD DETAIL

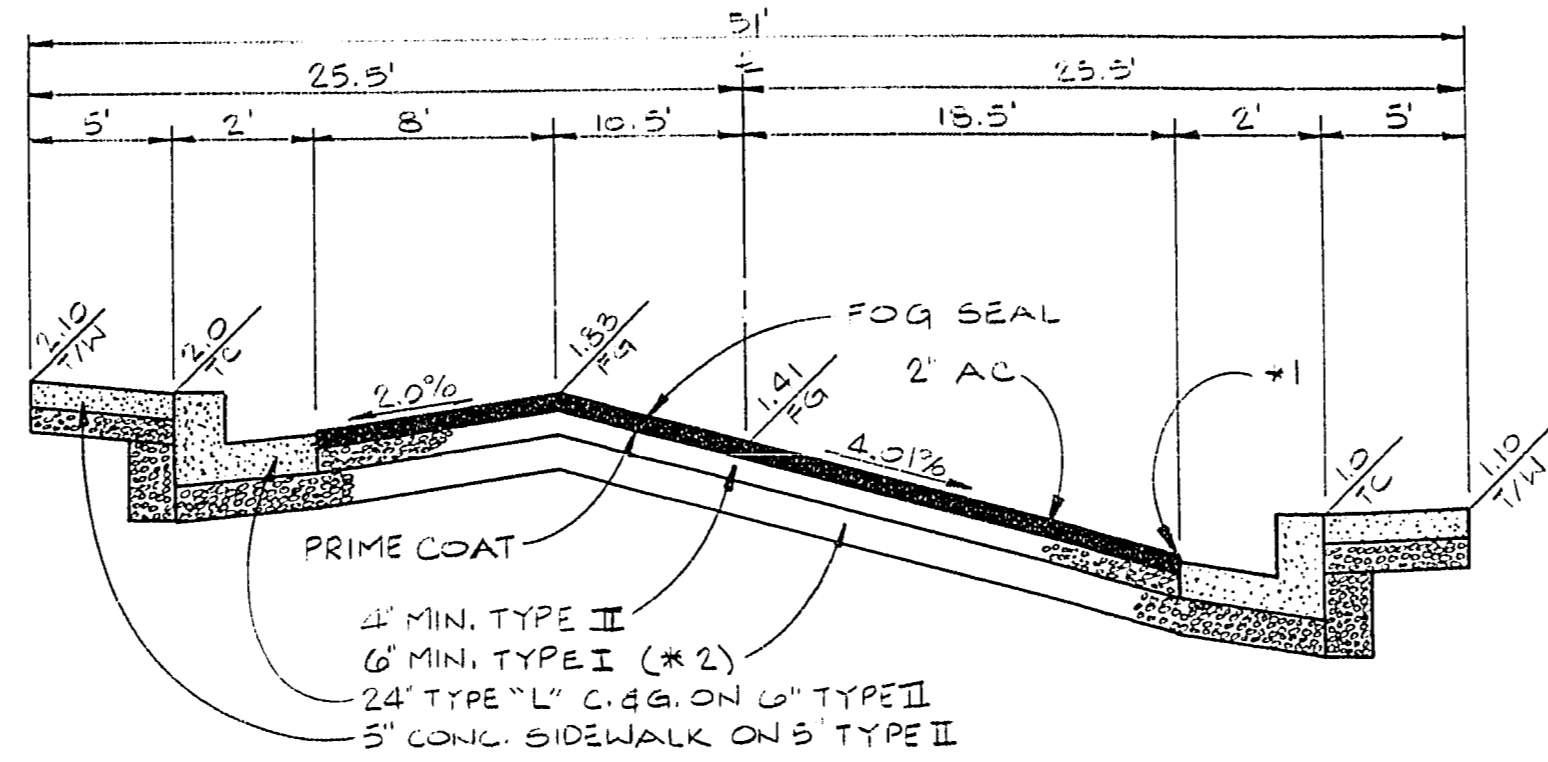


*1. AC PAVEMENT TO BE 1 1/2" MAX. ABOVE LIP OF GUTTER AFTER COMPACTION.
*2. NATIVE MATERIAL MAY BE USED IN LIEU OF TYPE I IF APPROVED BY THE SOILS ENGINEER AND THE CITY OF LAS VEGAS AND "PROCESSED IN ACCORDANCE WITH C.I.V. STATEMENT OF POLICY" FOR USE OF NATIVE MATERIAL IN LIEU OF IMPORTED TYPE I BASE, DATE JULY 23, 1984.

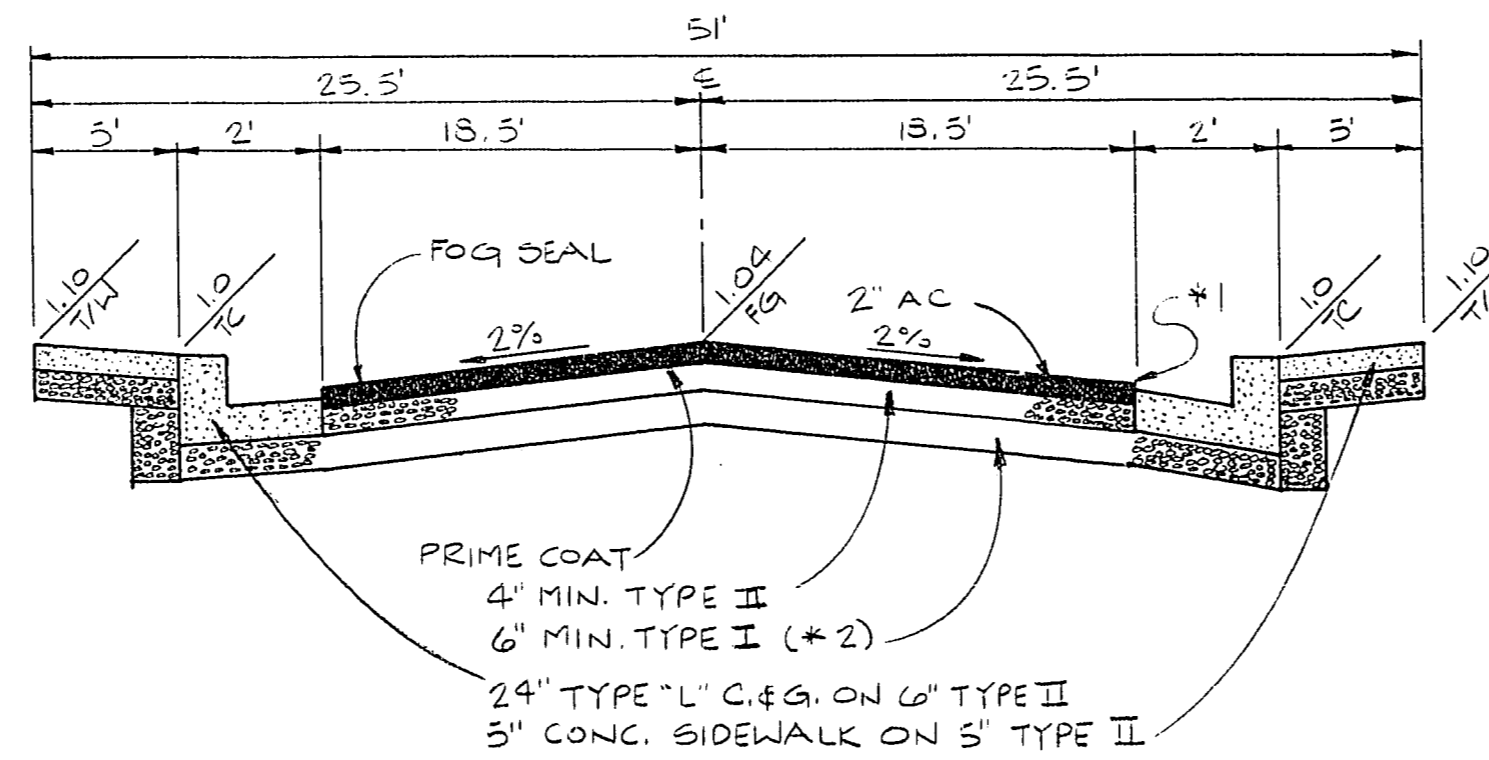
TYPICAL 1/2 STREET VEGAS DRIVE
SEE DWG. NO. 3 & 4



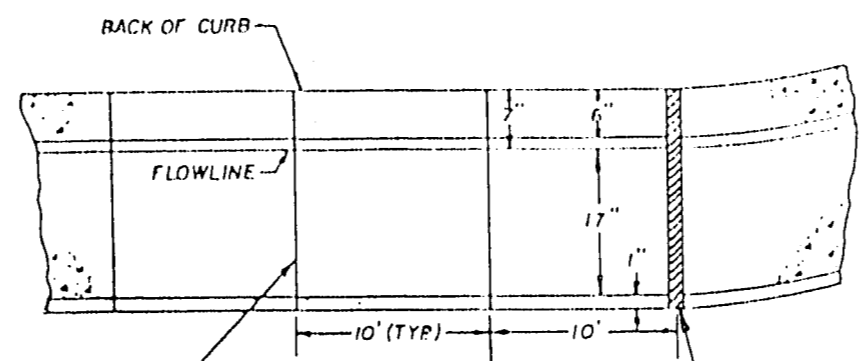
TYPICAL 1/2 STREET TENAYA WAY
SEE DWG. NO. 4



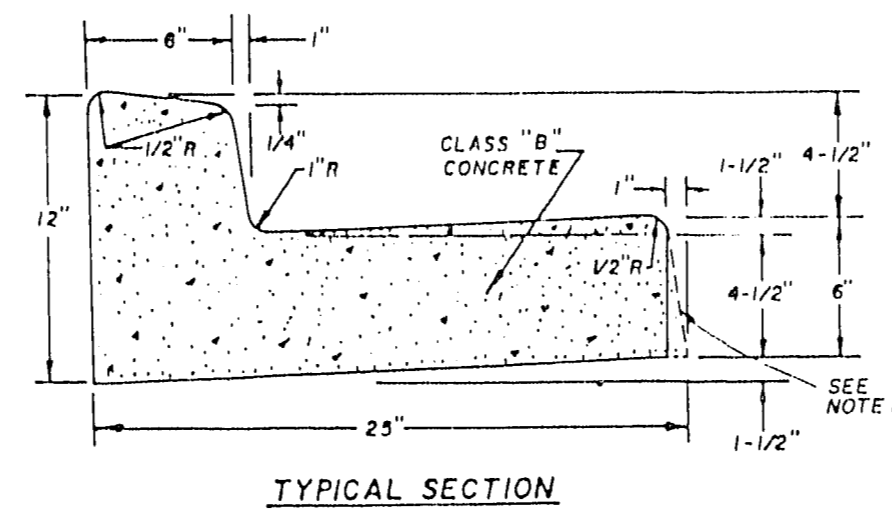
5' TYPICAL STREET SECTION WITH CROSSFALL AND OFFSET CROWN



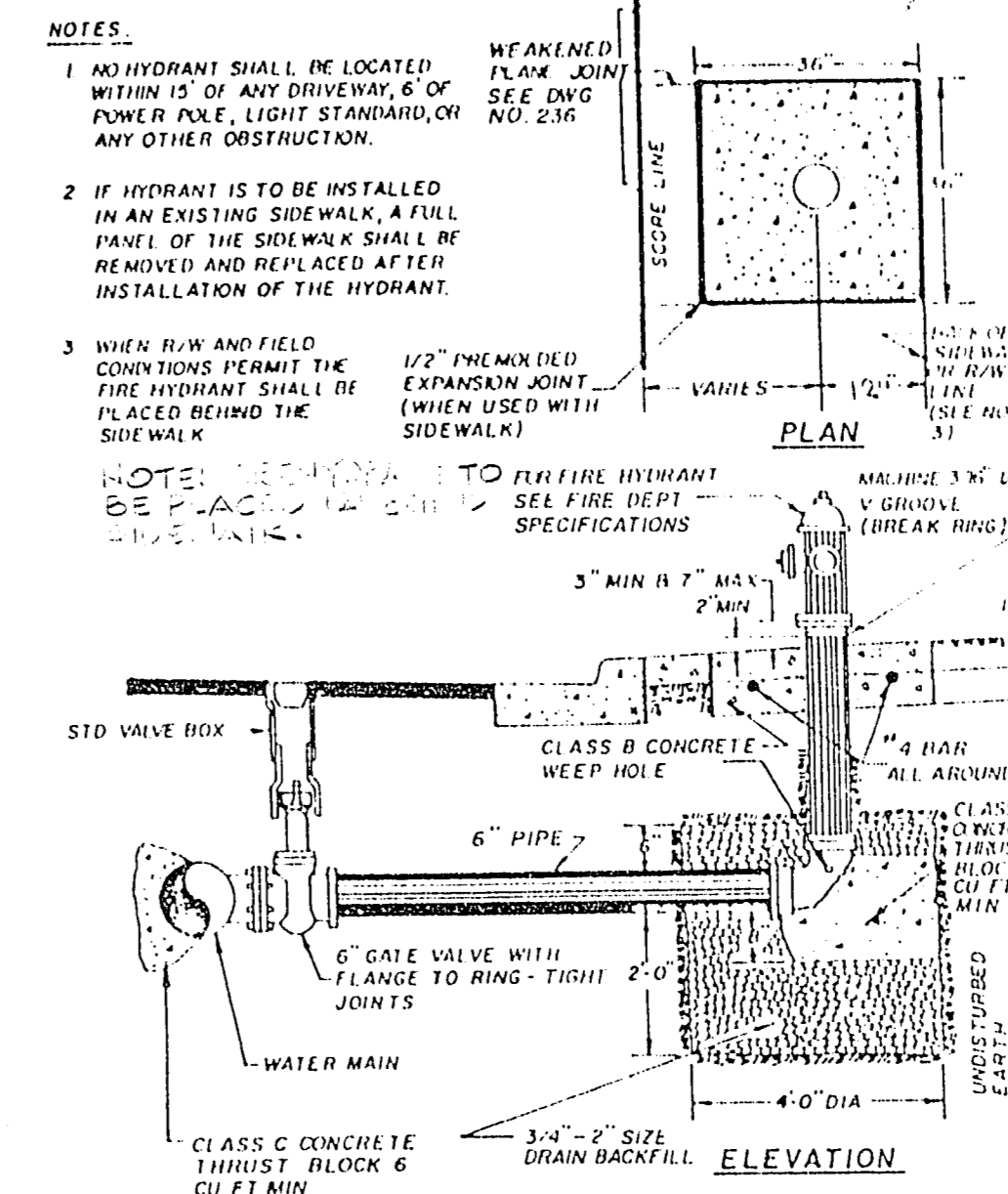
5' TYPICAL STREET SECTION



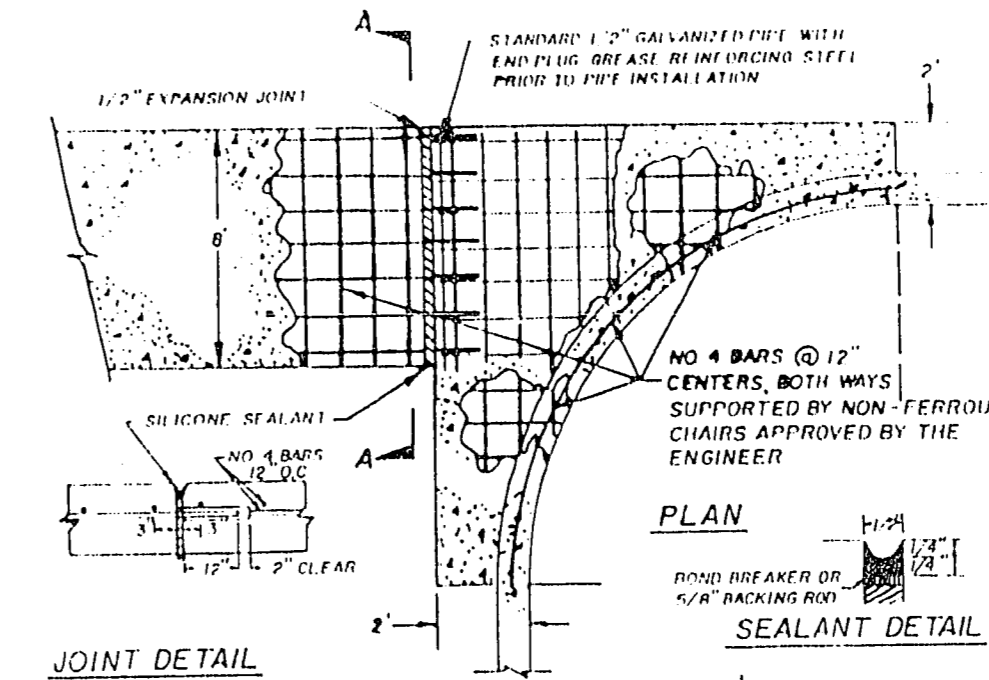
NOTES:
1. 1" DARTER UNDER GUTTER FACE OPTIONAL
2. WHERE LONGITUDINAL SLOPE IS LESS THAN 0.4% THE FLOW LINE SHALL BE WATER TESTED.



24" TYPE "L" CURB AND GUTTER



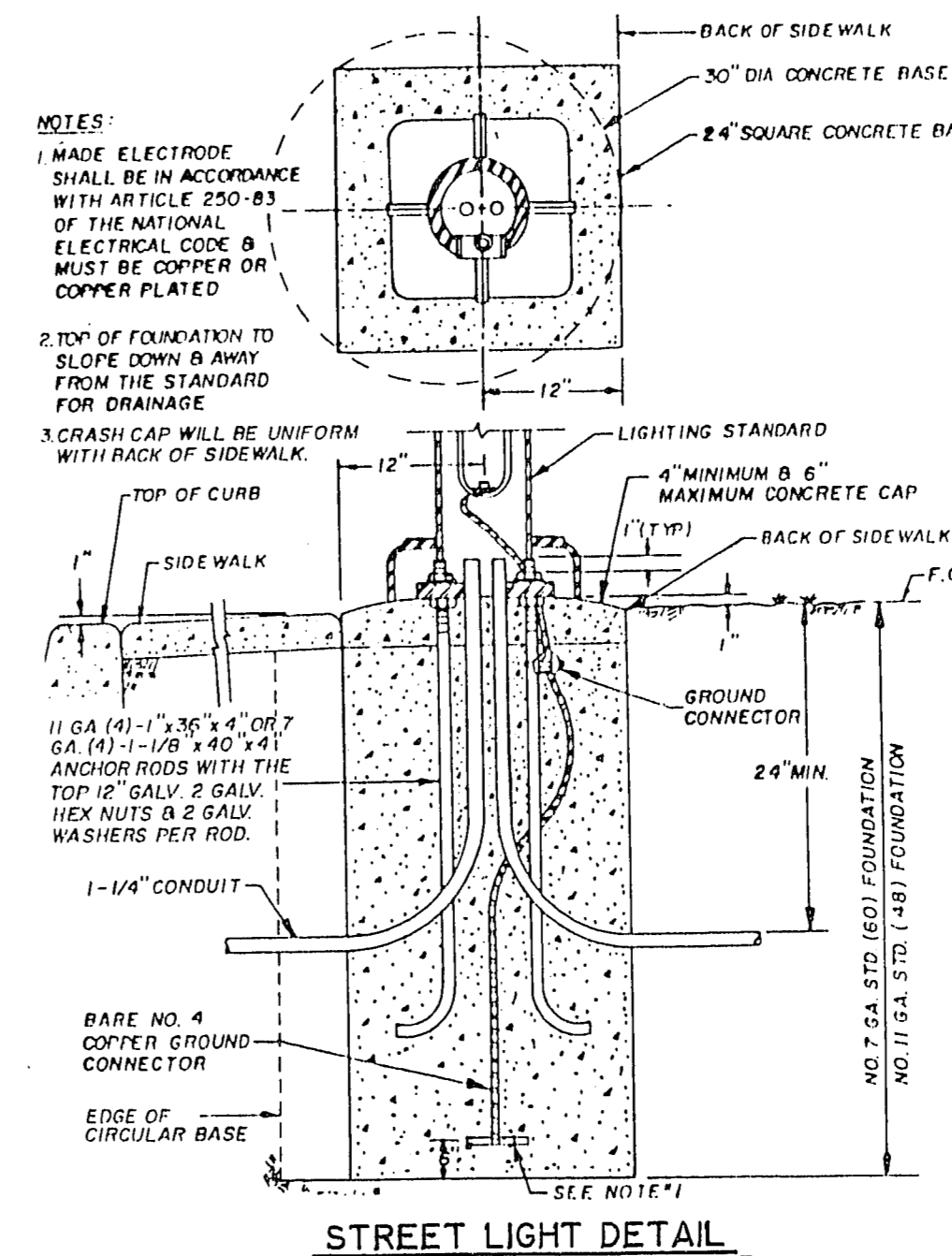
FIRE HYDRANT DETAIL



TYPICAL PROFILE AT LOCAL RESIDENTIAL STREET INTERSECTION

NOTES:
1. ALL CONCRETE SHALL BE CLASS B.
2. FINISHED ASPHALT CONCRETE SURFACE TO BE FLUSH WITH GUTTER LIP.
3. CONSTRUCTION OF CURB AND GUTTER IS NOT ALLOWED UNDER MAJOR COLLECTION OR ARTERIAL STREETS.
4. ADJACENT SPANDREL SHALL BE 8" THICK P.C.C.

VALLEY GUTTER DETAIL



STREET LIGHT DETAIL

REVISION	
NO.	
DATE	
Mark E. Jones	
11/4/89	
SOUTHWEST ENGINEERING LAND PLANNING • MAPPING • DEVELOPMENT 1725 S. RAINBOW BLVD. - STE. 234 - LAS VEGAS, NEVADA 89102 (702) 363-9700	

TITLE	DETAIL SHEET
PROJECT	DESERT PALMS
W.O. No.	881004
BY	RICHARD S.
DATE	DEC. 88
SCALE	NONE
SHEET	14
OF	14 SHEETS