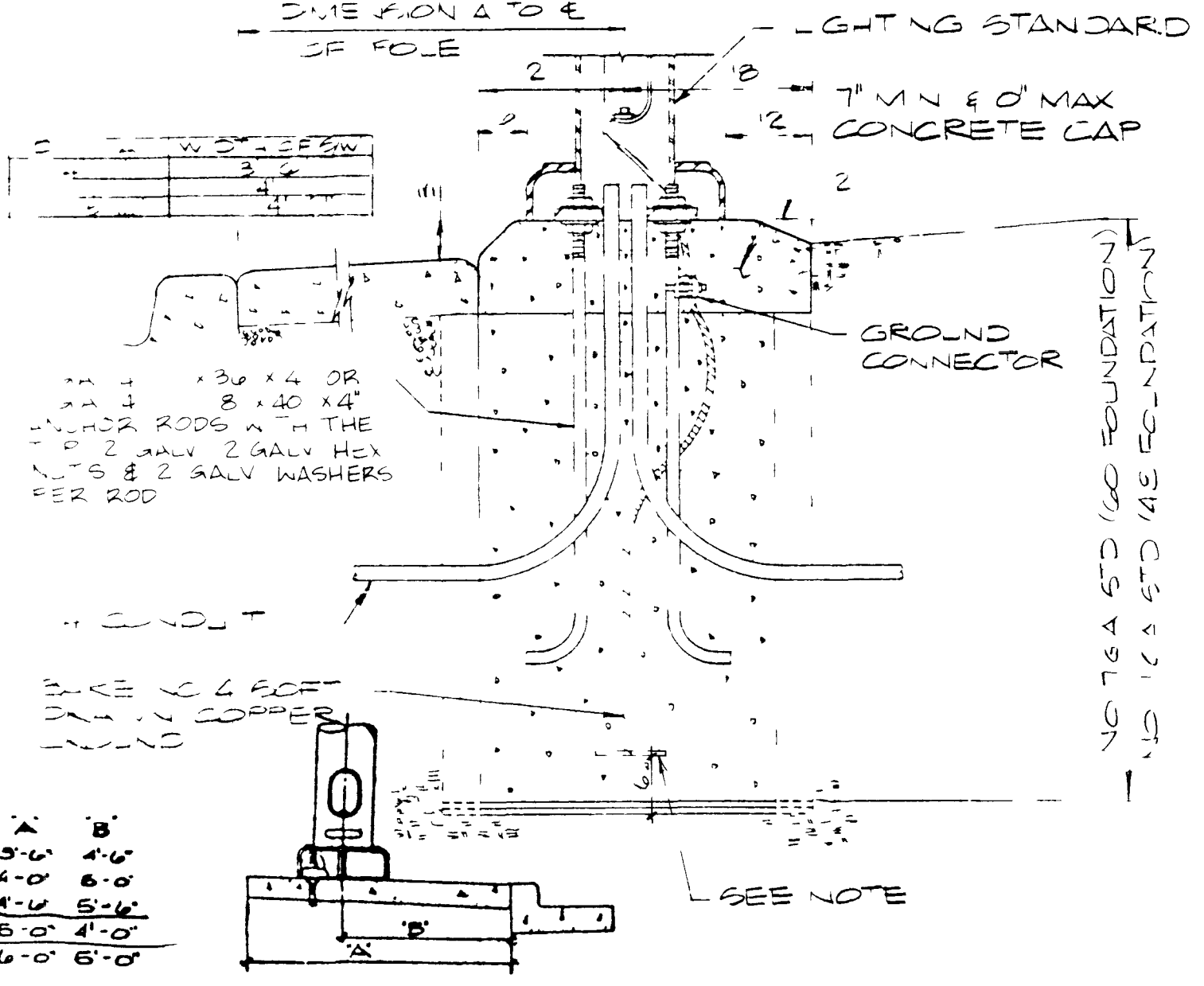
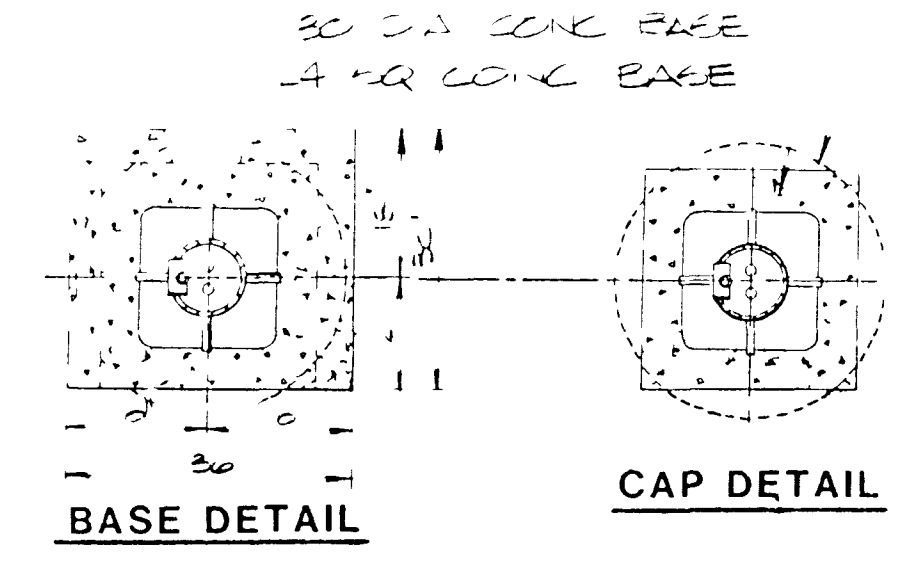
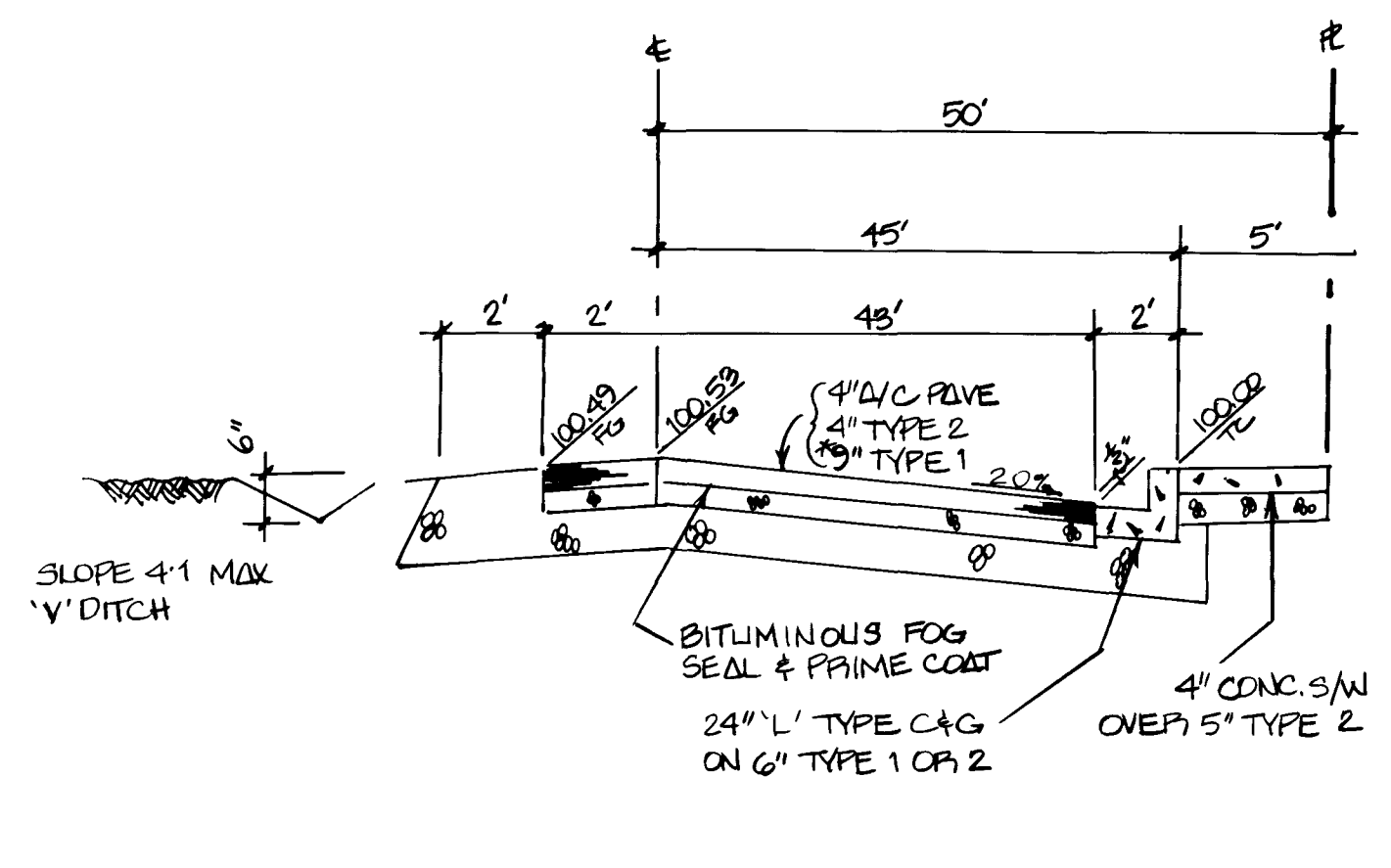


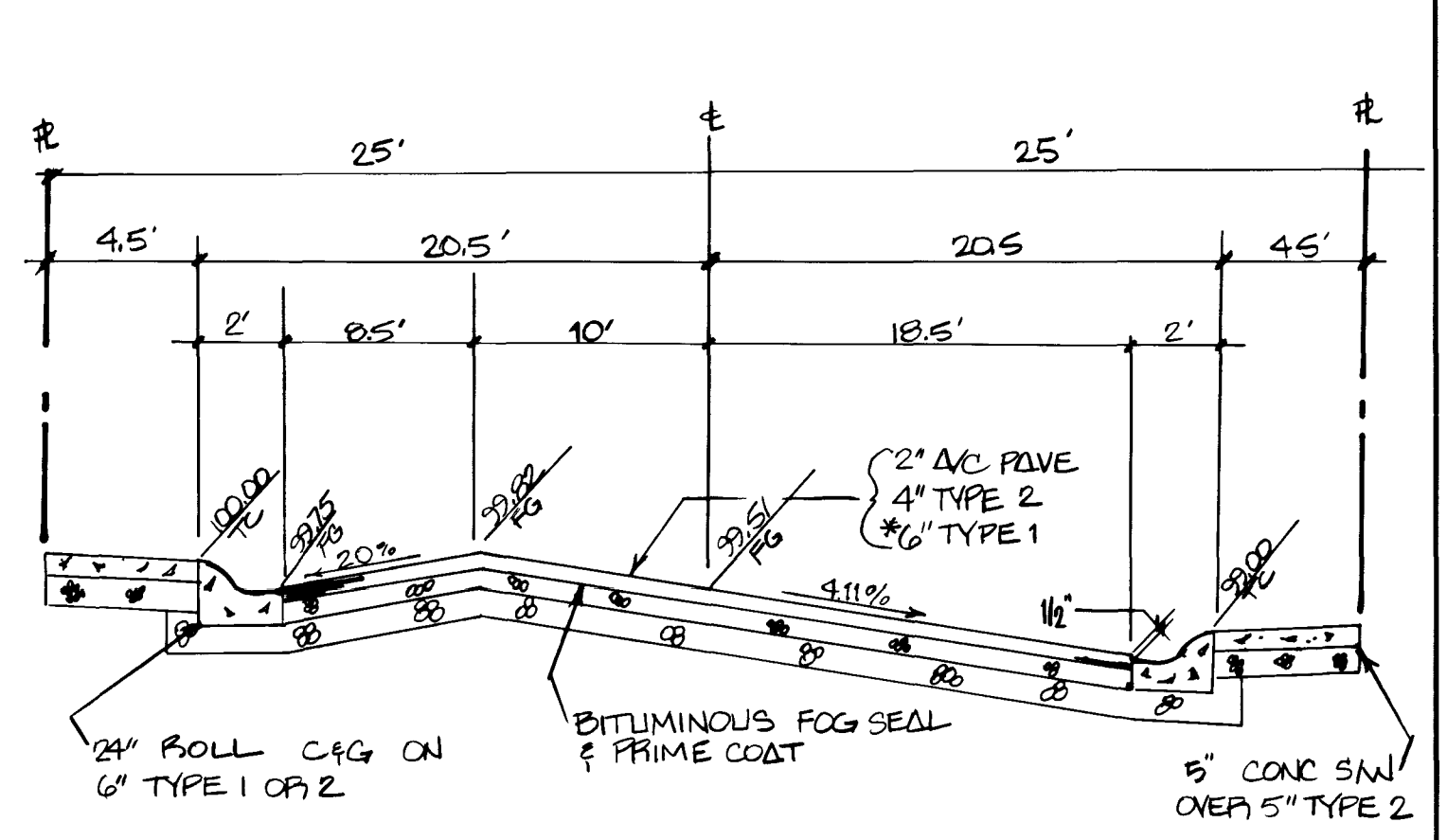
NOTE:
 1. ALL REINFORCING BARS SHALL BE V-NACOR
 2. ALL REINFORCING BARS SHALL BE V-NACOR
 3. ALL REINFORCING BARS SHALL BE V-NACOR
 4. ALL REINFORCING BARS SHALL BE V-NACOR
 5. ALL REINFORCING BARS SHALL BE V-NACOR
 6. ALL REINFORCING BARS SHALL BE V-NACOR
 7. ALL REINFORCING BARS SHALL BE V-NACOR
 8. ALL REINFORCING BARS SHALL BE V-NACOR
 9. ALL REINFORCING BARS SHALL BE V-NACOR
 10. ALL REINFORCING BARS SHALL BE V-NACOR
 11. ALL REINFORCING BARS SHALL BE V-NACOR
 12. ALL REINFORCING BARS SHALL BE V-NACOR
 13. ALL REINFORCING BARS SHALL BE V-NACOR
 14. ALL REINFORCING BARS SHALL BE V-NACOR
 15. ALL REINFORCING BARS SHALL BE V-NACOR
 16. ALL REINFORCING BARS SHALL BE V-NACOR
 17. ALL REINFORCING BARS SHALL BE V-NACOR
 18. ALL REINFORCING BARS SHALL BE V-NACOR
 19. ALL REINFORCING BARS SHALL BE V-NACOR
 20. ALL REINFORCING BARS SHALL BE V-NACOR
 21. ALL REINFORCING BARS SHALL BE V-NACOR
 22. ALL REINFORCING BARS SHALL BE V-NACOR
 23. ALL REINFORCING BARS SHALL BE V-NACOR
 24. ALL REINFORCING BARS SHALL BE V-NACOR
 25. ALL REINFORCING BARS SHALL BE V-NACOR
 26. ALL REINFORCING BARS SHALL BE V-NACOR
 27. ALL REINFORCING BARS SHALL BE V-NACOR
 28. ALL REINFORCING BARS SHALL BE V-NACOR
 29. ALL REINFORCING BARS SHALL BE V-NACOR
 30. ALL REINFORCING BARS SHALL BE V-NACOR
 31. ALL REINFORCING BARS SHALL BE V-NACOR
 32. ALL REINFORCING BARS SHALL BE V-NACOR
 33. ALL REINFORCING BARS SHALL BE V-NACOR
 34. ALL REINFORCING BARS SHALL BE V-NACOR
 35. ALL REINFORCING BARS SHALL BE V-NACOR
 36. ALL REINFORCING BARS SHALL BE V-NACOR
 37. ALL REINFORCING BARS SHALL BE V-NACOR
 38. ALL REINFORCING BARS SHALL BE V-NACOR
 39. ALL REINFORCING BARS SHALL BE V-NACOR
 40. ALL REINFORCING BARS SHALL BE V-NACOR
 41. ALL REINFORCING BARS SHALL BE V-NACOR
 42. ALL REINFORCING BARS SHALL BE V-NACOR
 43. ALL REINFORCING BARS SHALL BE V-NACOR
 44. ALL REINFORCING BARS SHALL BE V-NACOR
 45. ALL REINFORCING BARS SHALL BE V-NACOR
 46. ALL REINFORCING BARS SHALL BE V-NACOR
 47. ALL REINFORCING BARS SHALL BE V-NACOR
 48. ALL REINFORCING BARS SHALL BE V-NACOR
 49. ALL REINFORCING BARS SHALL BE V-NACOR
 50. ALL REINFORCING BARS SHALL BE V-NACOR
 51. ALL REINFORCING BARS SHALL BE V-NACOR
 52. ALL REINFORCING BARS SHALL BE V-NACOR
 53. ALL REINFORCING BARS SHALL BE V-NACOR
 54. ALL REINFORCING BARS SHALL BE V-NACOR
 55. ALL REINFORCING BARS SHALL BE V-NACOR
 56. ALL REINFORCING BARS SHALL BE V-NACOR
 57. ALL REINFORCING BARS SHALL BE V-NACOR
 58. ALL REINFORCING BARS SHALL BE V-NACOR
 59. ALL REINFORCING BARS SHALL BE V-NACOR
 60. ALL REINFORCING BARS SHALL BE V-NACOR
 61. ALL REINFORCING BARS SHALL BE V-NACOR
 62. ALL REINFORCING BARS SHALL BE V-NACOR
 63. ALL REINFORCING BARS SHALL BE V-NACOR
 64. ALL REINFORCING BARS SHALL BE V-NACOR
 65. ALL REINFORCING BARS SHALL BE V-NACOR
 66. ALL REINFORCING BARS SHALL BE V-NACOR
 67. ALL REINFORCING BARS SHALL BE V-NACOR
 68. ALL REINFORCING BARS SHALL BE V-NACOR
 69. ALL REINFORCING BARS SHALL BE V-NACOR
 70. ALL REINFORCING BARS SHALL BE V-NACOR
 71. ALL REINFORCING BARS SHALL BE V-NACOR
 72. ALL REINFORCING BARS SHALL BE V-NACOR
 73. ALL REINFORCING BARS SHALL BE V-NACOR
 74. ALL REINFORCING BARS SHALL BE V-NACOR
 75. ALL REINFORCING BARS SHALL BE V-NACOR
 76. ALL REINFORCING BARS SHALL BE V-NACOR
 77. ALL REINFORCING BARS SHALL BE V-NACOR
 78. ALL REINFORCING BARS SHALL BE V-NACOR
 79. ALL REINFORCING BARS SHALL BE V-NACOR
 80. ALL REINFORCING BARS SHALL BE V-NACOR
 81. ALL REINFORCING BARS SHALL BE V-NACOR
 82. ALL REINFORCING BARS SHALL BE V-NACOR
 83. ALL REINFORCING BARS SHALL BE V-NACOR
 84. ALL REINFORCING BARS SHALL BE V-NACOR
 85. ALL REINFORCING BARS SHALL BE V-NACOR
 86. ALL REINFORCING BARS SHALL BE V-NACOR
 87. ALL REINFORCING BARS SHALL BE V-NACOR
 88. ALL REINFORCING BARS SHALL BE V-NACOR
 89. ALL REINFORCING BARS SHALL BE V-NACOR
 90. ALL REINFORCING BARS SHALL BE V-NACOR
 91. ALL REINFORCING BARS SHALL BE V-NACOR
 92. ALL REINFORCING BARS SHALL BE V-NACOR
 93. ALL REINFORCING BARS SHALL BE V-NACOR
 94. ALL REINFORCING BARS SHALL BE V-NACOR
 95. ALL REINFORCING BARS SHALL BE V-NACOR
 96. ALL REINFORCING BARS SHALL BE V-NACOR
 97. ALL REINFORCING BARS SHALL BE V-NACOR
 98. ALL REINFORCING BARS SHALL BE V-NACOR
 99. ALL REINFORCING BARS SHALL BE V-NACOR
 100. ALL REINFORCING BARS SHALL BE V-NACOR



ST. LIGHT LOCATION
STREET LIGHT DETAIL

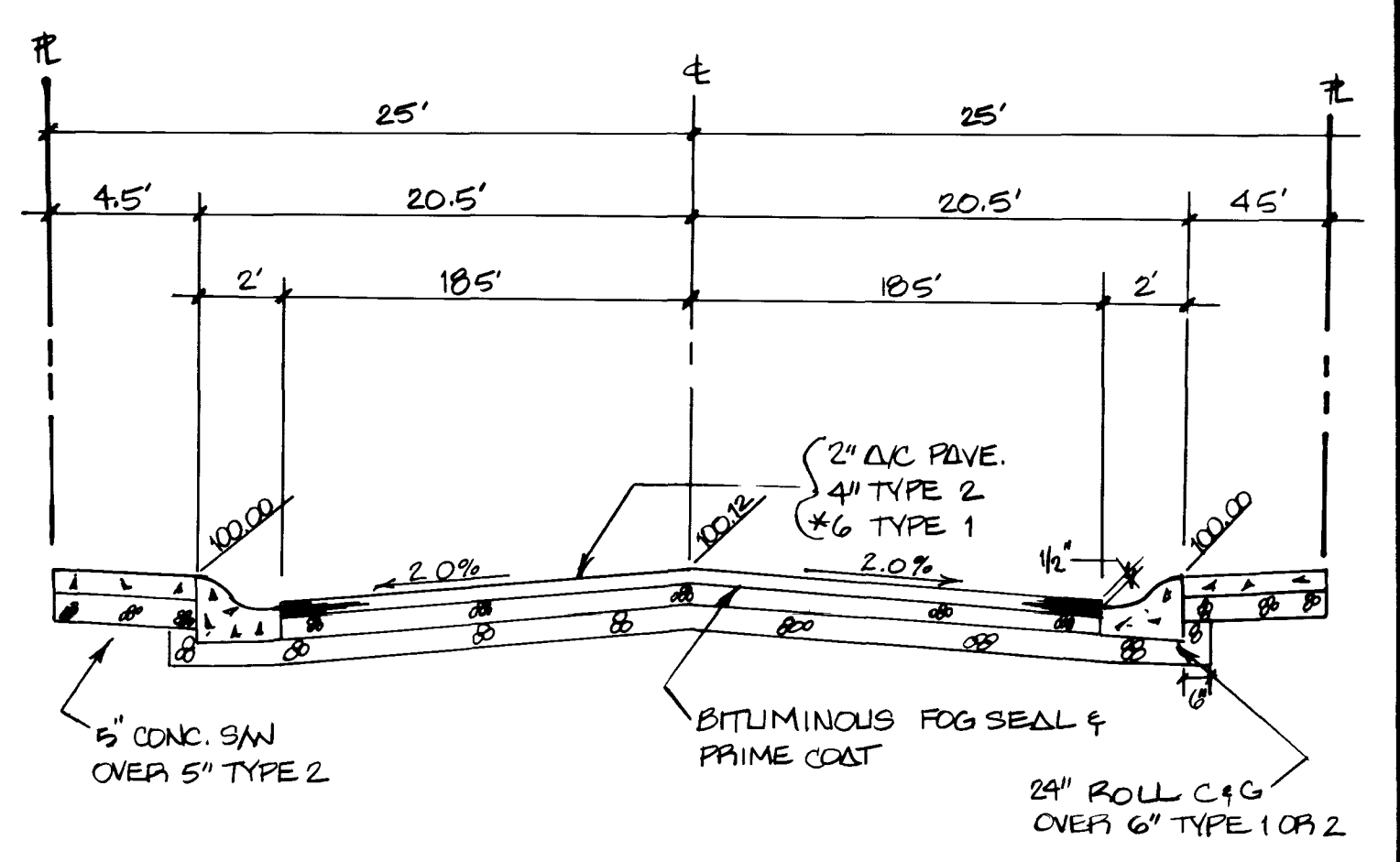


50' HALF STREET SECTION

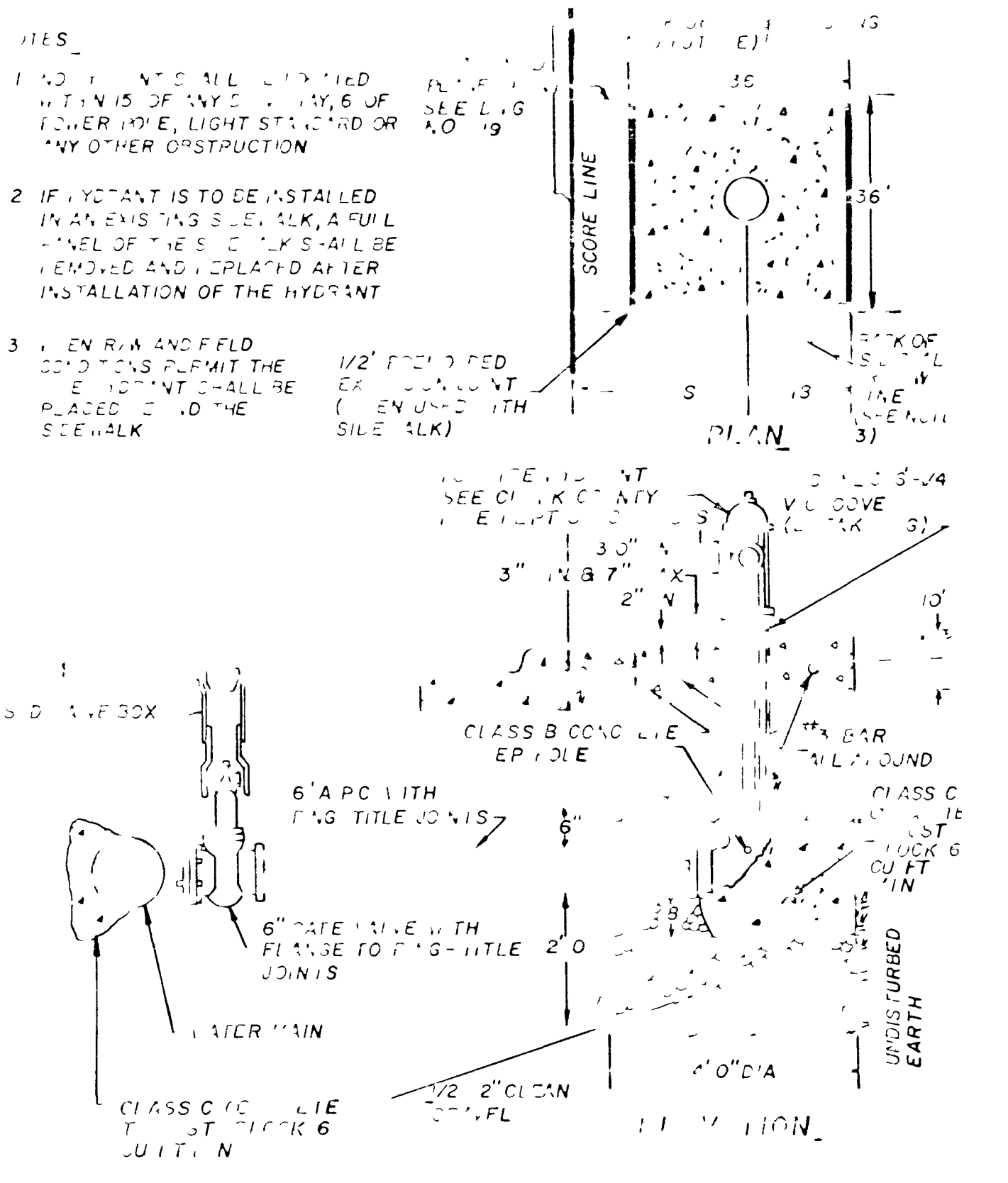


* NATIVE MATERIAL MAY BE USED IN LIEU OF TYPE 1 IF APPROVED BY THE SOILS ENGINEER AND THE CITY OF LV, AND "PROCESSED IN ACCORDANCE" WITH CLV STATEMENT OF POLICY* FOR USE OF NATIVE MATERIAL IN LIEU OF IMPORTED TYPE 1 BASE DATED JULY 25, 1984.

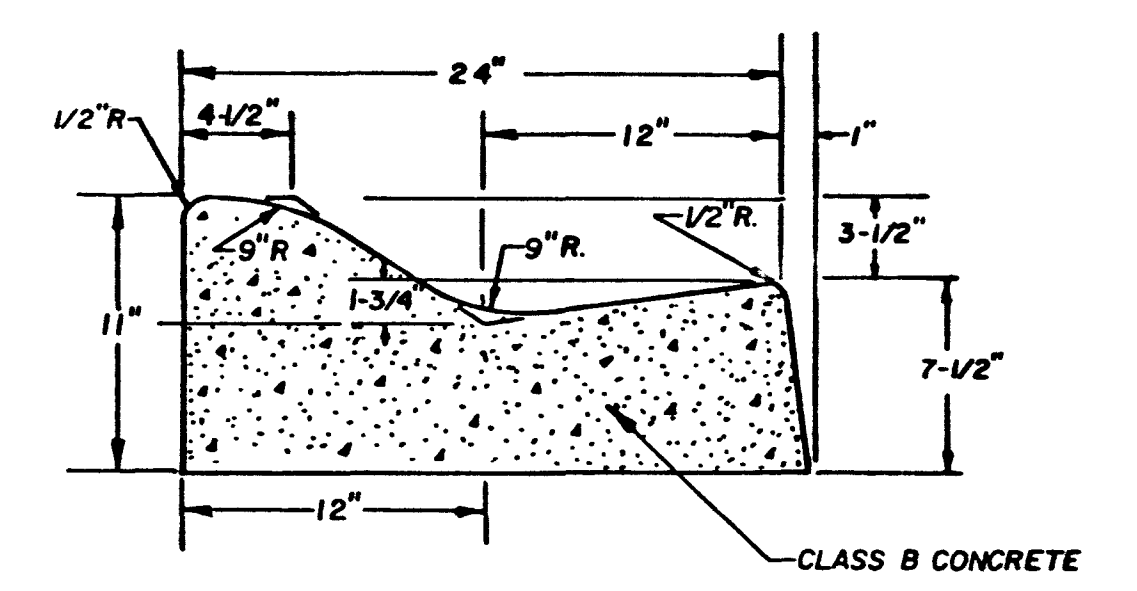
50' OFFSET CROWN SECTION



50' STANDARD ST. SECTION



FIRE HYDRANT DETAIL



ROLL C & G

REVISION

NO. DATE BY

3/24/88

PROFESSIONAL ENGINEER

SOUTHWEST ENGINEERING

LAND PLANNING MAPPING DEVELOPMENT

1725 S. HAZARD RD. SUITE 405
LAS VEGAS, NEVADA 89102
(702) 763-9371

DETAIL SHEET

PHASE 2

EDGEWATER

TITLE

PROJECT

WO No. 871002

BY + ADRIANNA

DATE 3/88

SCALE NONE

SHEET 2

OF 9 SHEETS

5803

69-46

1074-4000-2

