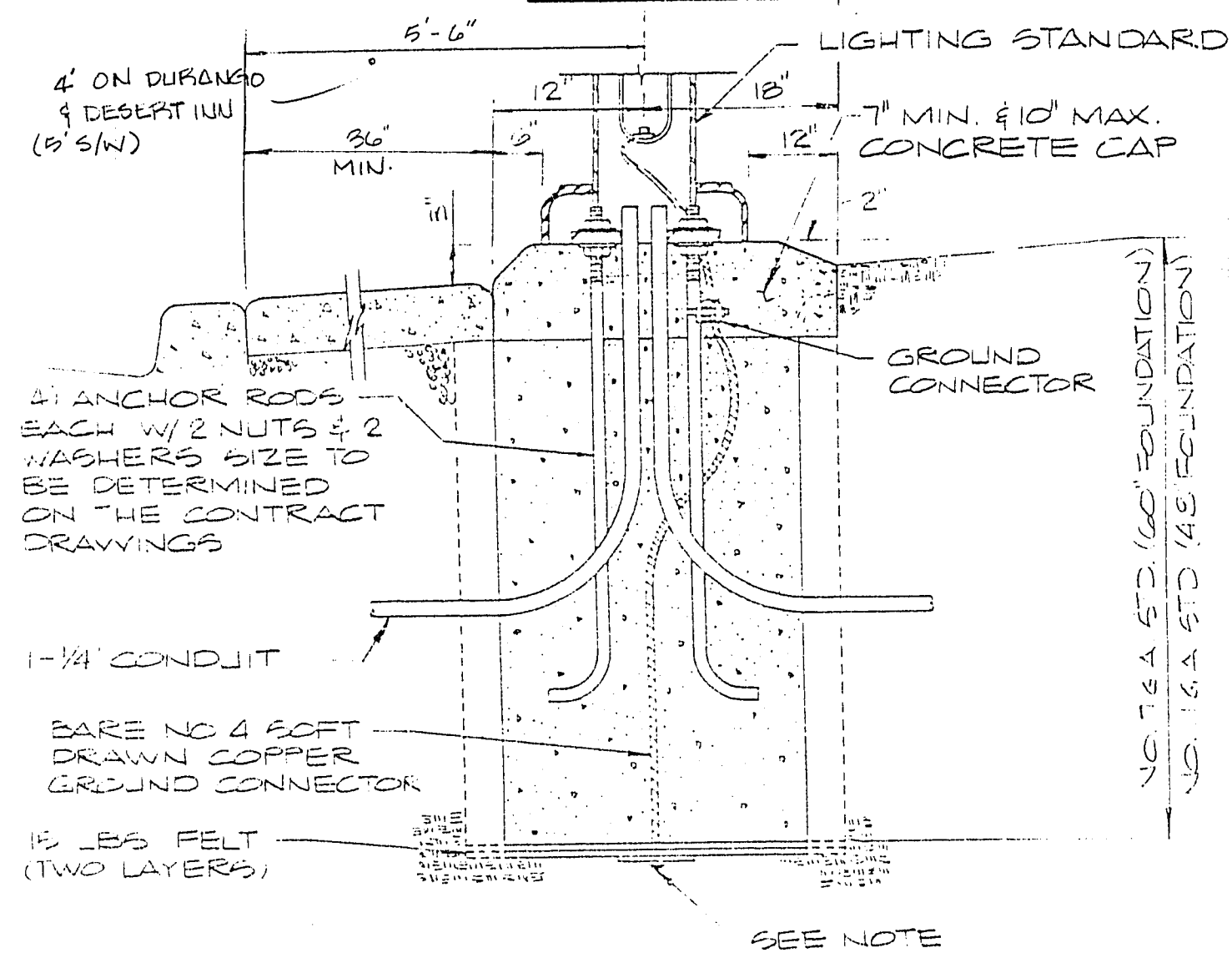
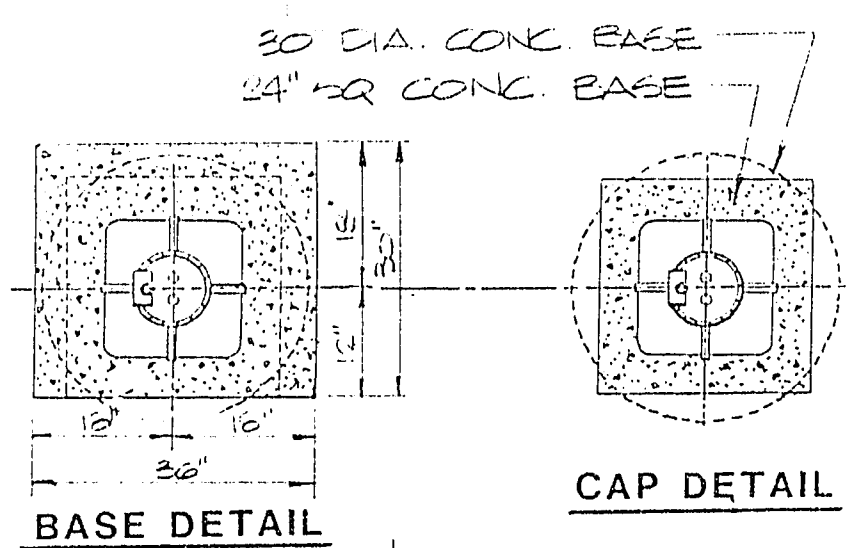
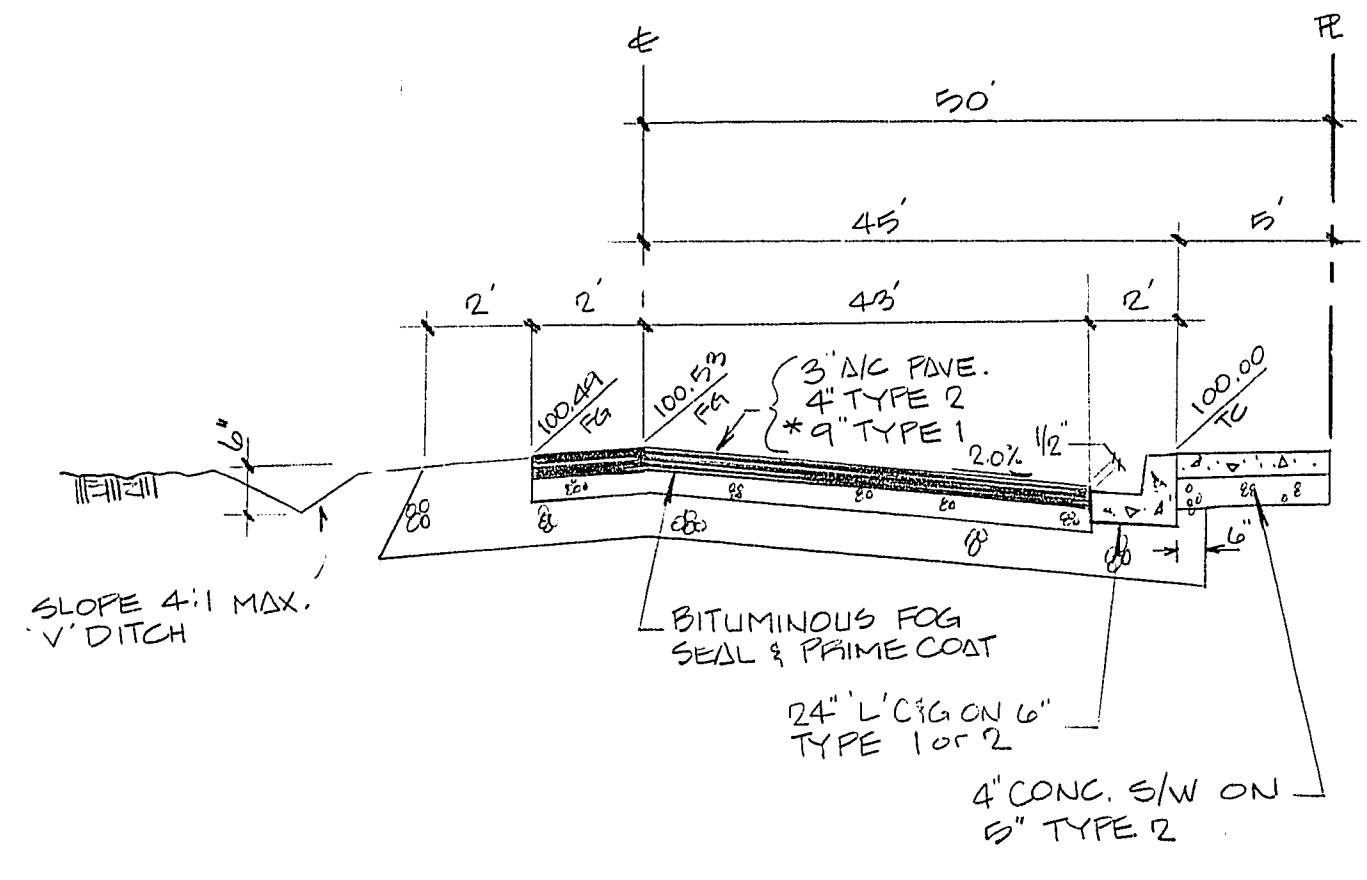


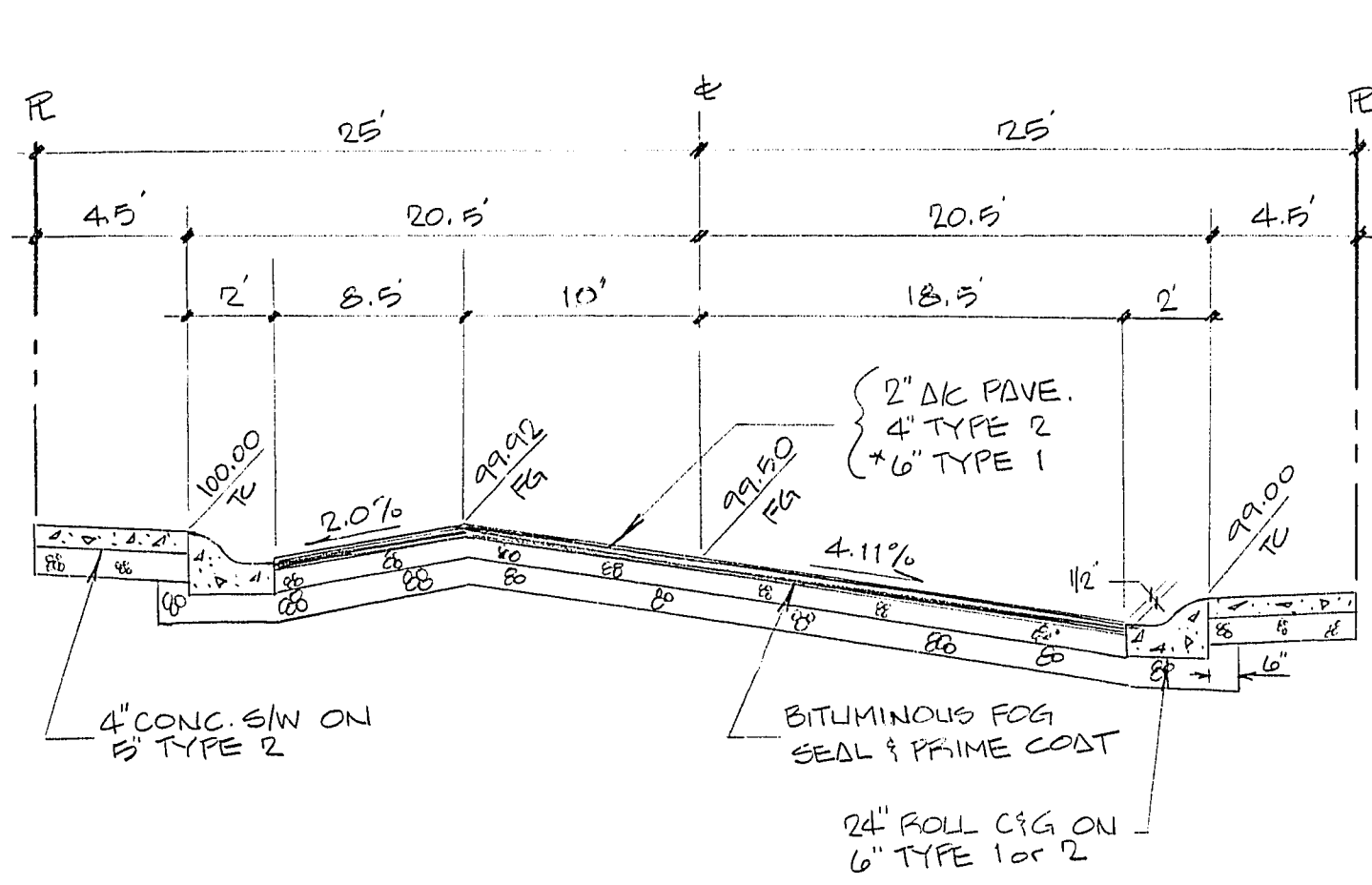
NOTE:
 1. WIDE ELECTRODE SHALL BE IN ACCORDANCE WITH ARTICLE 250-83 OF THE NATIONAL ELECTRICAL CODE
 2. TOP OF SLOPE IS DOWN AND AWAY FROM THE STANDARD FOR DRAINAGE



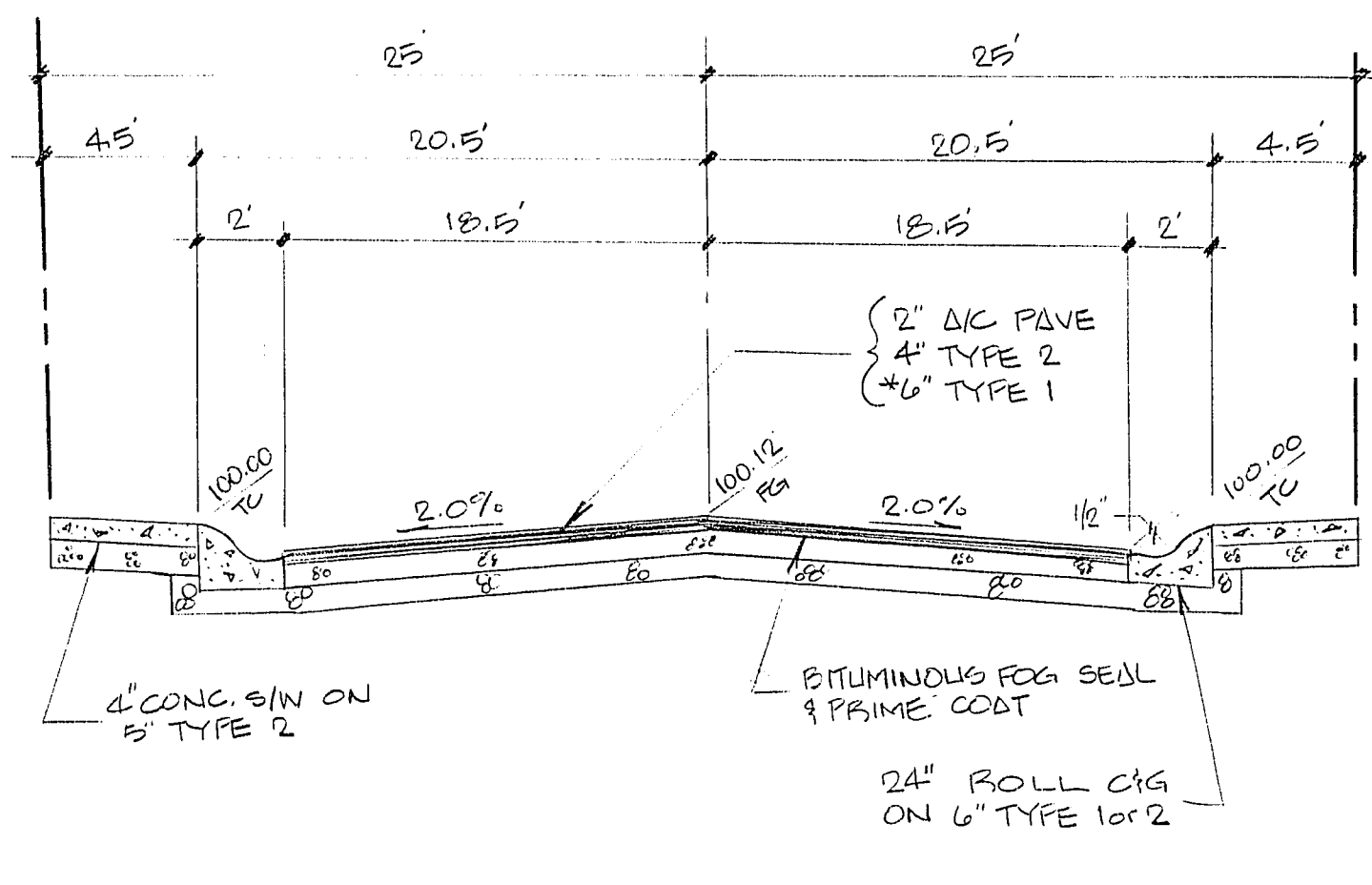
ST. LIGHT DETAIL



50' HALF ST. SECTION

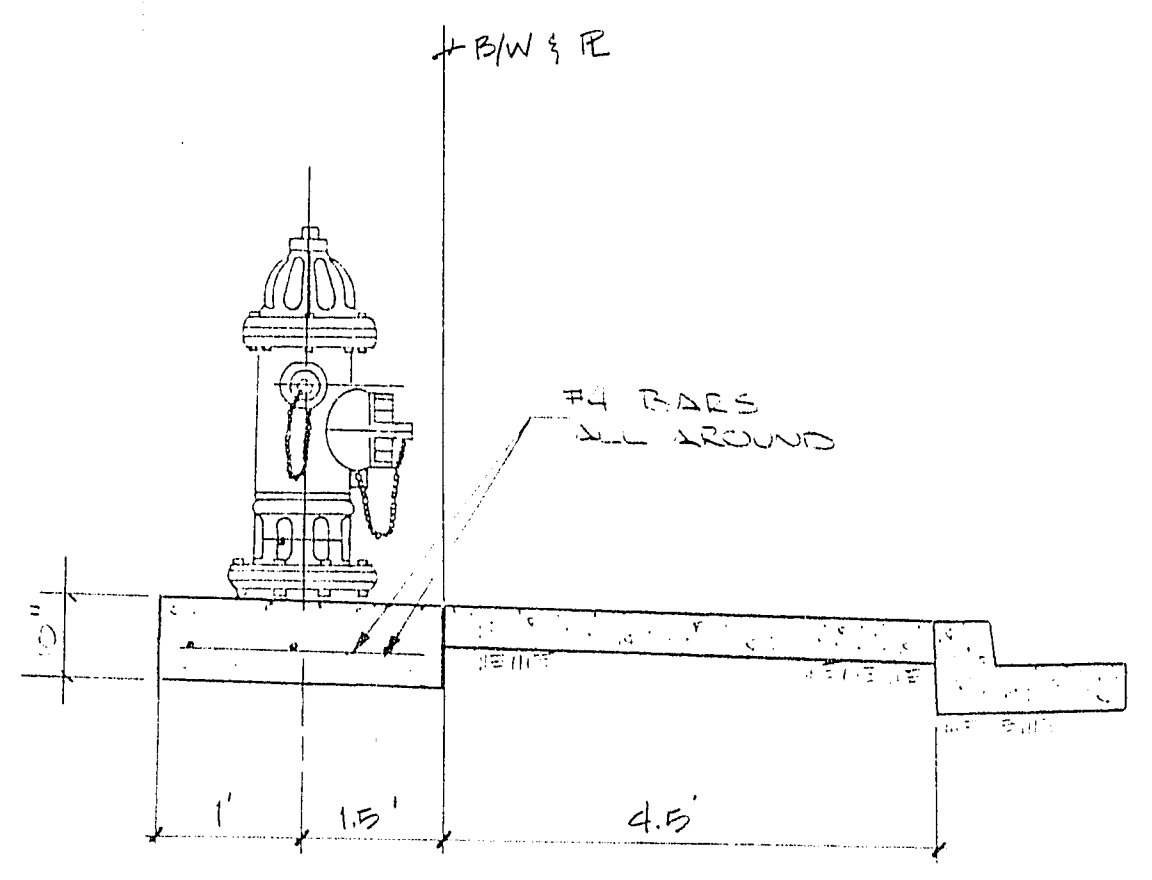


50' OFFSET CROWN SECTION

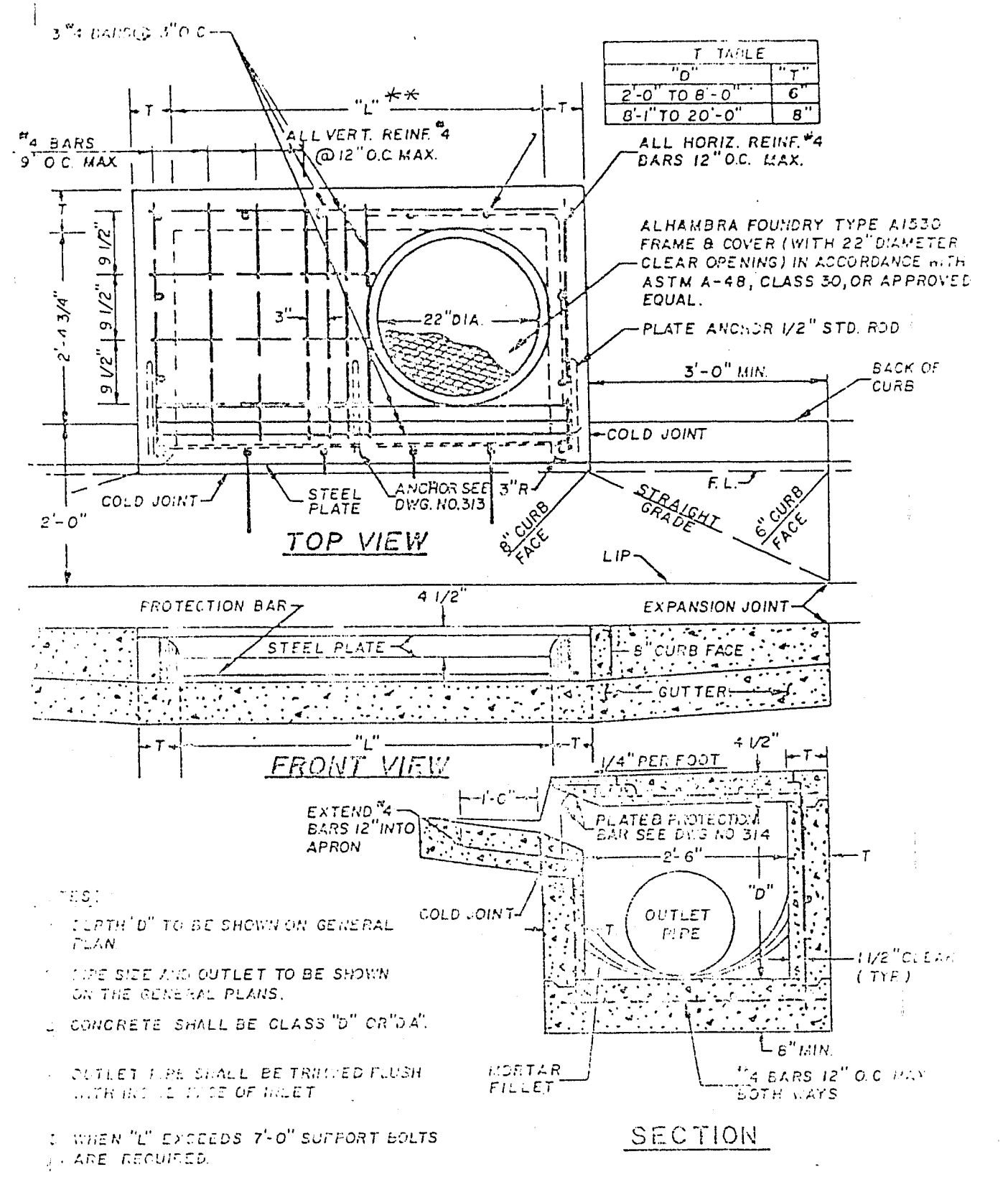


50' STANDARD ST. SECTION

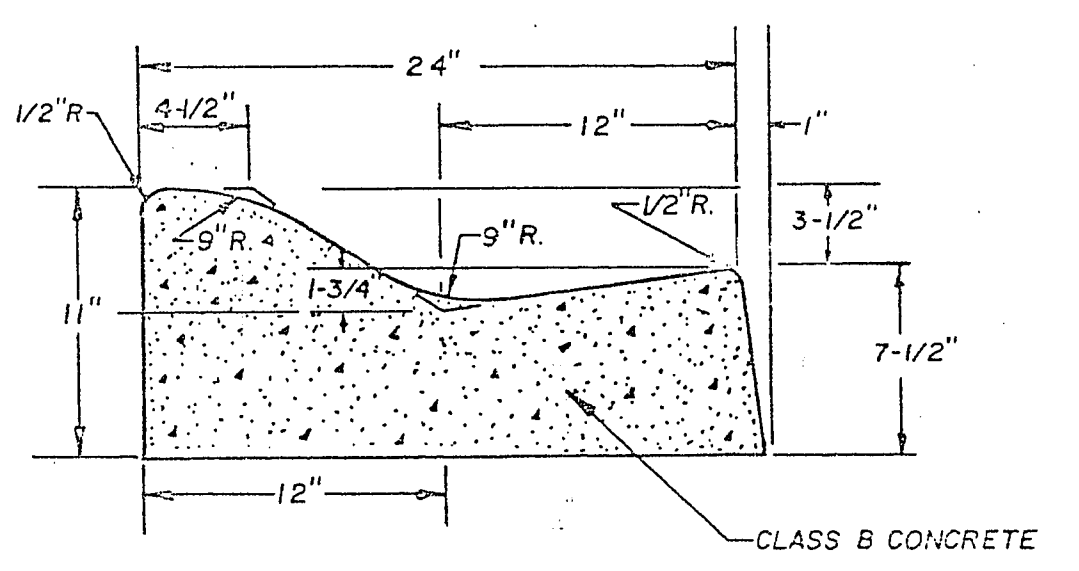
* NATIVE MATERIAL MAY BE USED IN LIEU OF TYPE 1 IF APPROVED BY THE SOILS ENGINEER AND THE CITY OF LAS VEGAS, AND "PROCESSED IN ACCORDANCE WITH C.L.V. STATEMENT OF POLICY" FOR USE OF NATIVE MATERIAL IN LIEU OF IMPORTED TYPE 1 BASE DATED JULY 25, 1984.



FIRE HYDRANT DETAIL



TYPE A DROP INLET



ROLL C & G

REVISION

DATE BY

2/24/88

Mark E. Jones

SOUTHWEST ENGINEERING
 LAND PLANNING & SURVEYING DEVELOPMENT
 1725 S. HARBOR BLVD., STE. 23
 LAS VEGAS, NEVADA 89102
 (702) 863-9700

DETAIL SHEET

PHASE 1

EDGEWATER

PROJECT

W.O. No. B71002

BY M. JONES

DATE 1/6/88

SCALE 1" = 40'

SHEET

2

OF 14 SHEETS

107X4000-1

6-9-84