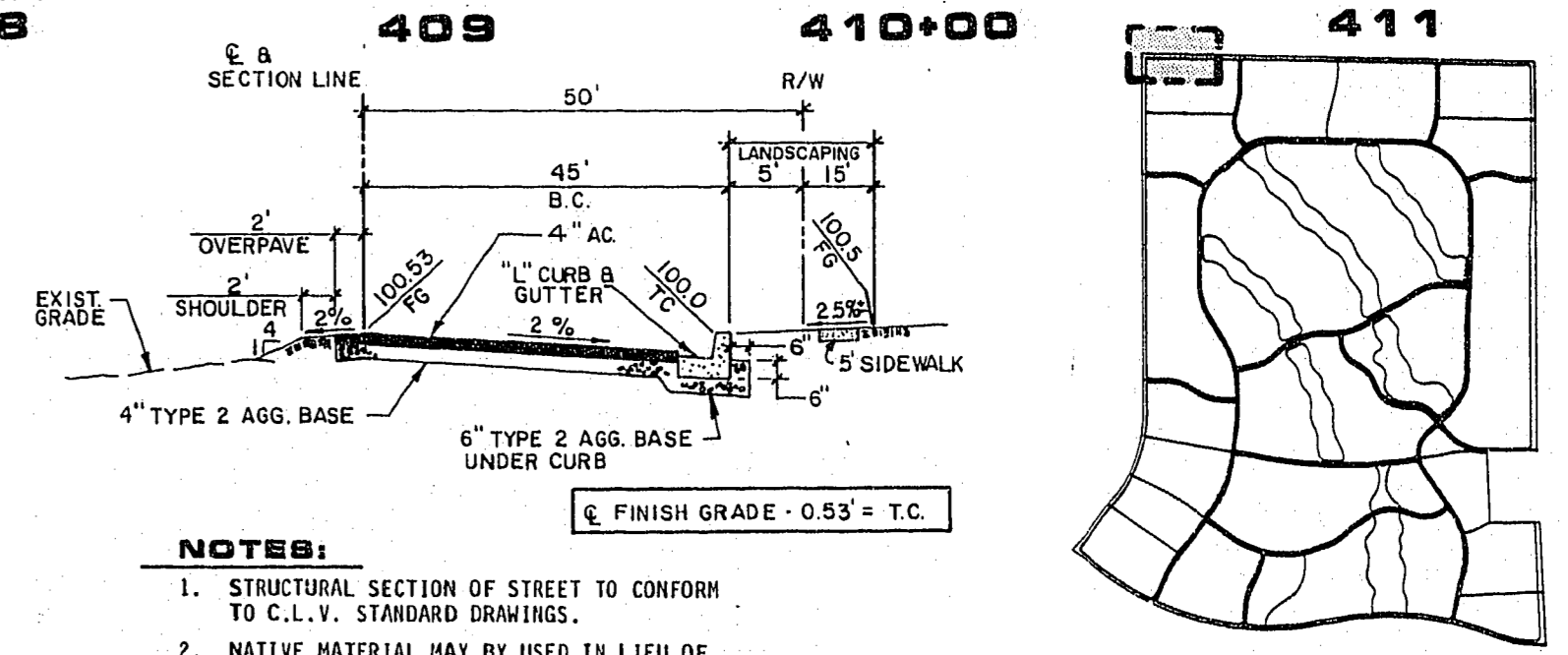
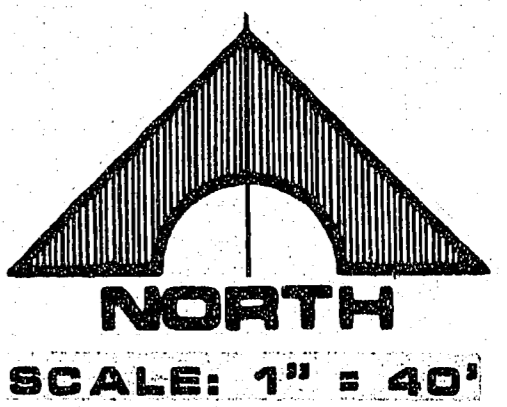
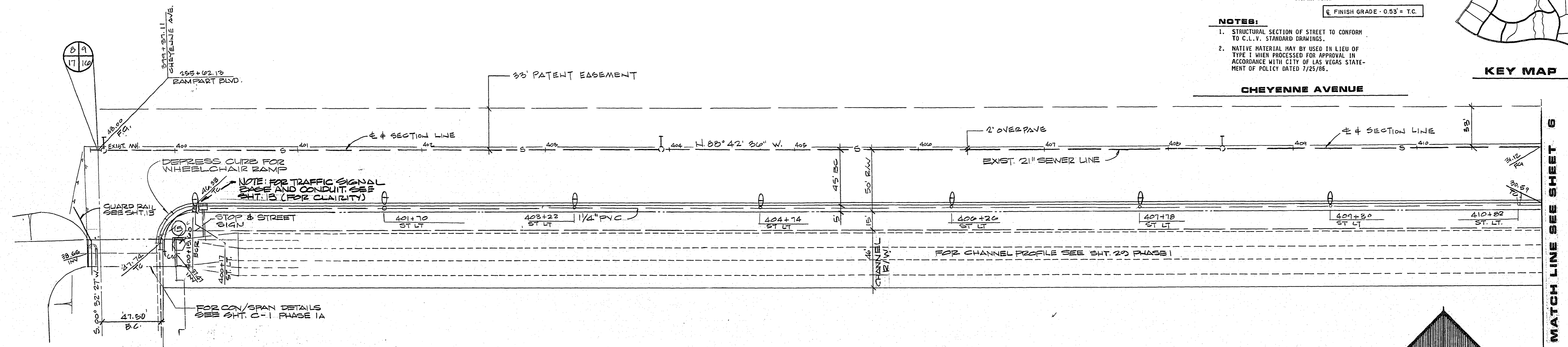


PROFILE
 HORIZ. 1"=40'
 VERT. 1"=8'



- NOTES:**
1. STRUCTURAL SECTION OF STREET TO CONFORM TO C.L.V. STANDARD DRAWINGS.
 2. NATIVE MATERIAL MAY BE USED IN LIEU OF TYPE 1 WHEN PROCESSED FOR APPROVAL IN ACCORDANCE WITH CITY OF LAS VEGAS STATEMENT OF POLICY DATED 7/25/86.

KEY MAP



BCR CURVE DATA

NO.	Δ	R	L	T
13	90° 45' 17"	80.00'	47.32'	80.40'

APPROVAL

[Signature]

CLV CHIEF LAND DEVELOPMENT

DATE: 5-27-88

RECOMMENDED
 DATE: 1-27-88
 REV: 1-27-88
 DESCRIPTION: ADDED CON/SPAN
 BEN. ST. SEE NOTE 2 DATE

1555 SOUTH RAINBOW BLVD. LAS VEGAS, NEVADA 89102

G.C. WALLACE, INC.
 Engineering/Architecture

DESERT SHORES DEVELOPMENT COMPANY
 DESERT SHORES - PHASE 1A
 CHEYENNE AVENUE
 STA. 399+37.11 TO STA. 411+00.00

SHEET 5 OF 23 SHEETS

JOB NO. 660.012