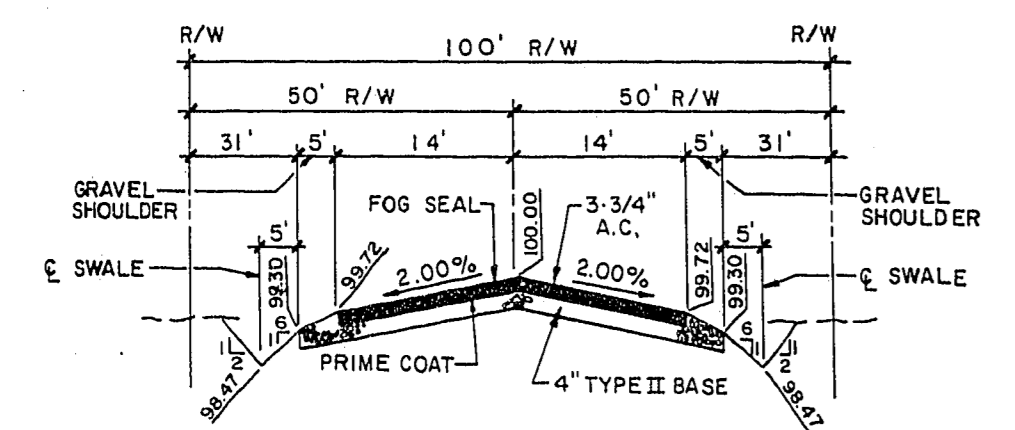
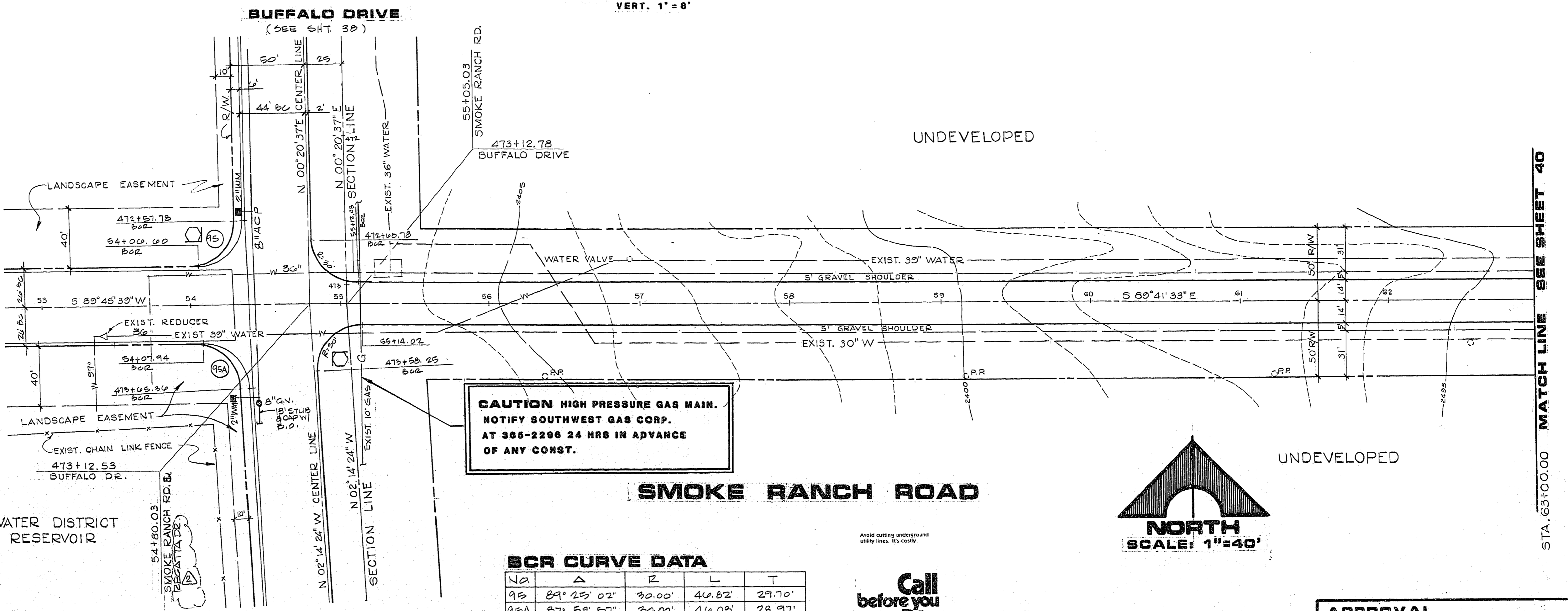


**PROFILE**  
 SCALE: HORIZ. 1" = 40'  
 VERT. 1" = 8'



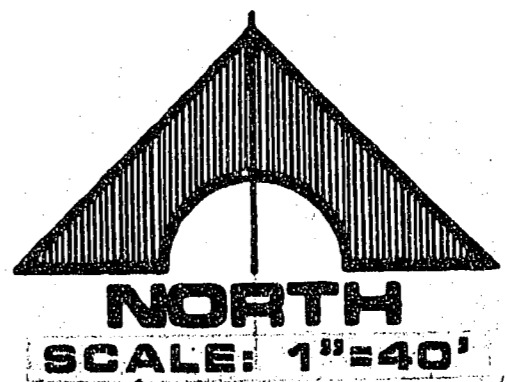
**NOTES:**  
 1. STRUCTURAL SECTION OF STREET TO CONFORM TO C.L.V. STANDARD DRAWINGS.  
 2. NATIVE MATERIAL MAY BE USED IN LIEU OF TYPE I WHEN PROCESSED FOR APPROVAL IN ACCORDANCE WITH CITY OF LAS VEGAS STATEMENT OF POLICY DATED 7/25/86.

**TYPICAL SECTION**  
**SMOKE RANCH ROAD**



**BCR CURVE DATA**

NO.	Δ	R	L	T
95	89° 25' 02"	30.00'	46.82'	29.70'
95A	87° 59' 57"	30.00'	46.08'	28.97'



Call before you Dig.  
 1-800-227-2600  
UNDERGROUND SERVICE UTILITIES

**APPROVAL**  
  
 G.L.V. CHIEF LAND DEVELOPMENT

12-2-87  
 DATE

SHEET  
**39**  
 OF 42 SHEETS

REVISIONS

NO.	DATE	DESCRIPTION
1	11/15/81	GENERAL REVISIONS
2	12/14/87	REVISED PER PROJECT TITLE & ST. NUMBER

DESIGNED BY: *[Signature]*  
 DRAWN BY: *[Signature]*  
 CHECKED BY: *[Signature]*  
 DATE: 12-2-87

**G.C. WALLACE, INC.**  
 Engineering/Architecture  
 1555 SOUTH RAINBOW BLVD., LAS VEGAS, NEVADA 89102

DESERT SHORES - PHASE 1  
 SMOKE RANCH ROAD  
 STA. 55+05.03 TO STA. 63+00.00

JOB NO. 660.009 2-14-87