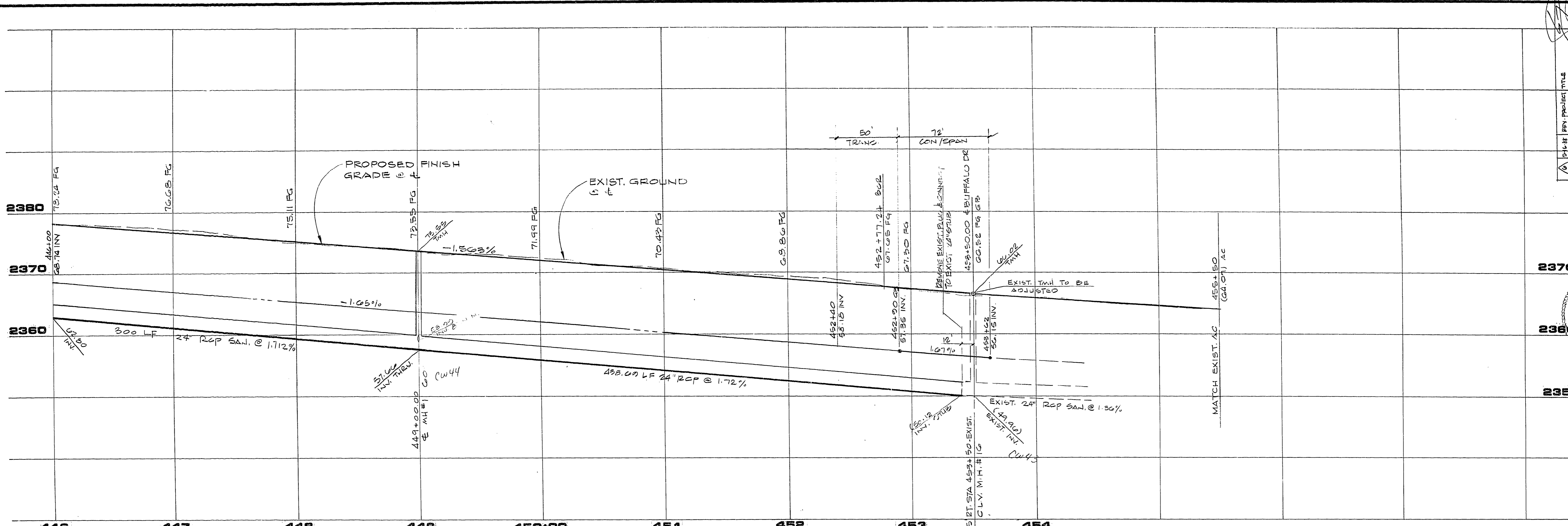


REV	DATE	DESCRIPTION
1	1-2-88	ISSUED FOR PERMITS
2	1-2-88	REVISED PER COMMENTS
3	1-2-88	REVISED PER COMMENTS
4	1-2-88	REVISED PER COMMENTS
5	1-2-88	REVISED PER COMMENTS

PROJECT TITLE: DESERT SHORES - PHASE 1
 SHEET NO.: 33
 DATE: 1-2-88
 DRAWN BY: [Signature]
 CHECKED BY: [Signature]
 APPROVED BY: [Signature]

G.C. WALLACE, INC.
 Engineering/Architecture
 1555 SOUTH RAINBOW BLVD LAS VEGAS, NEVADA 89102

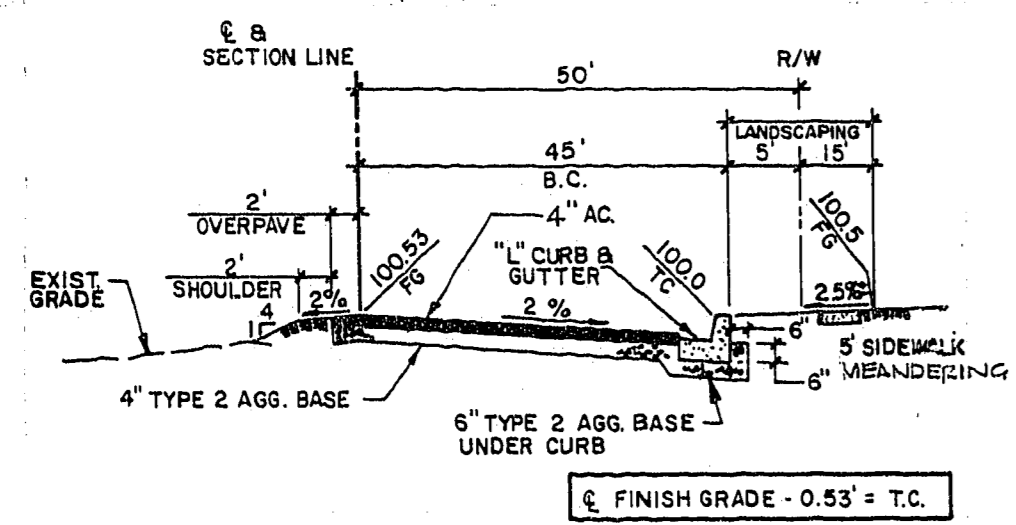
DESERT SHORES - PHASE 1
 CHEYENNE AVENUE
 STA. 446+00.00 TO STA. 453+50.00
 SHEET 33 OF 43 SHEETS



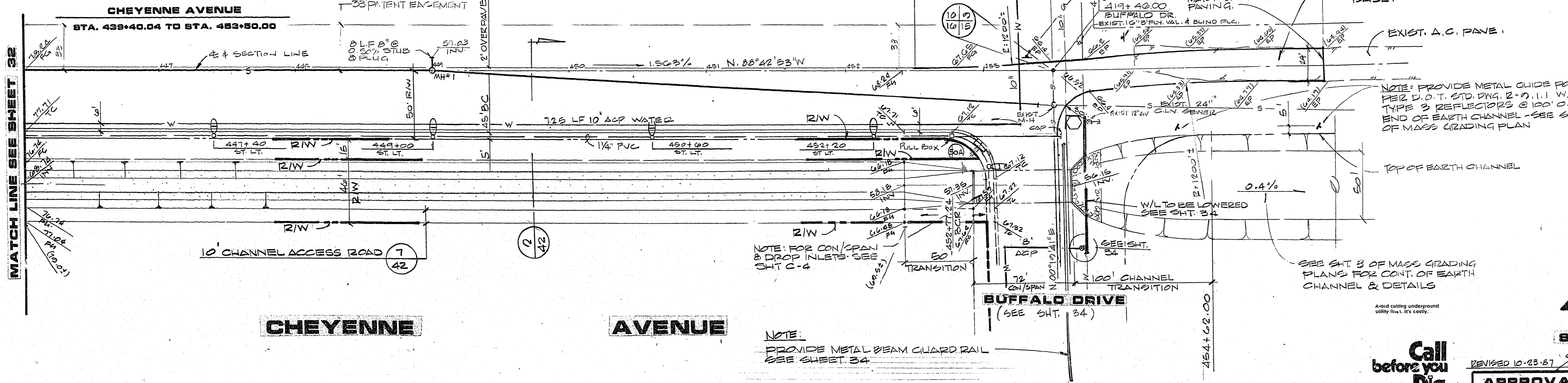
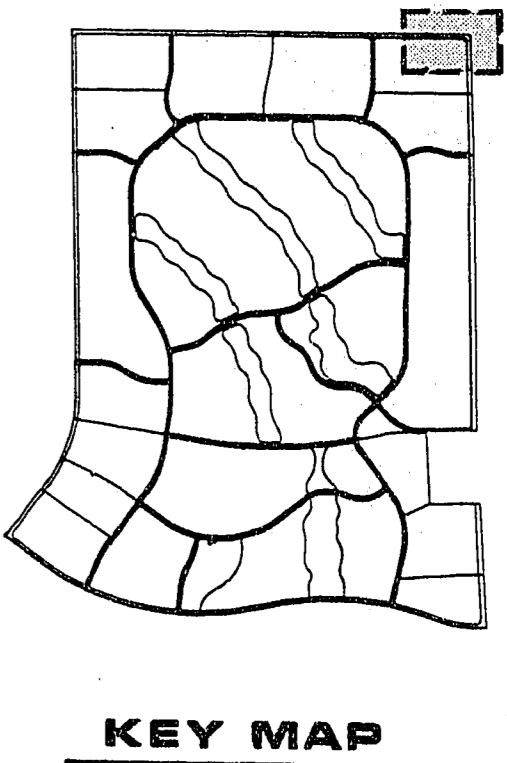
CAUTION HIGH PRESSURE GAS MAIN.
 NOTIFY SOUTHWEST GAS CORP.
 AT 366-2296 24 HRS IN ADVANCE
 OF ANY CONST.

BCR CURVE DATA

NO.	Δ	R	L	T
50A	89° 02' 34"	30.00	46.02	29.50

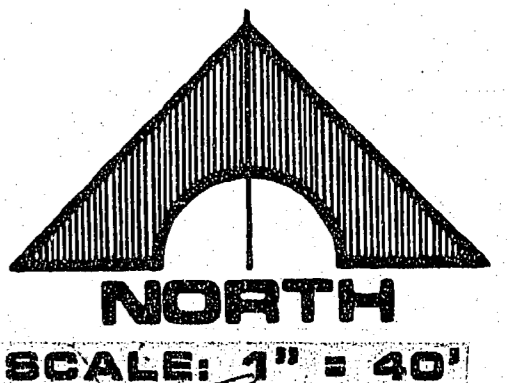


- NOTES:**
- STRUCTURAL SECTION OF STREET TO CONFORM TO C.L.V. STANDARD DRAWINGS.
 - NATIVE MATERIAL MAY BE USED IN LIEU OF TYPE 1 WHEN PROCESSED FOR APPROVAL IN ACCORDANCE WITH CITY OF LAS VEGAS STATEMENT OF POLICY DATED 7/25/86.



Call before you Dig.
 1-800-227-2600
 UNDERGROUND SERVICE (USA)

APPROVAL
 [Signature]
 CLV CHIEF LAND DEVELOPMENT
 DATE: 9-22-87



JOB NO. 660,009 0-14-87