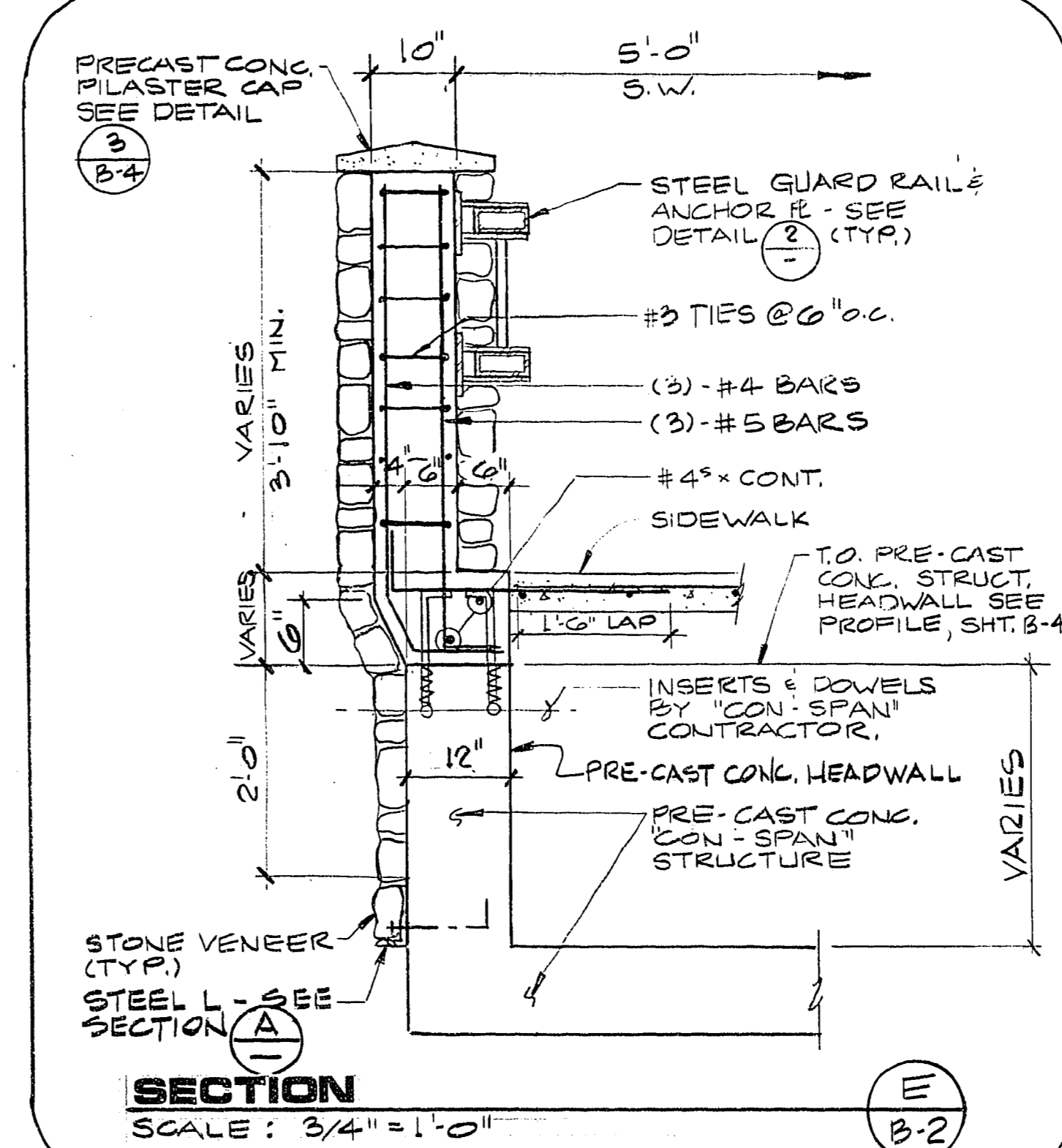


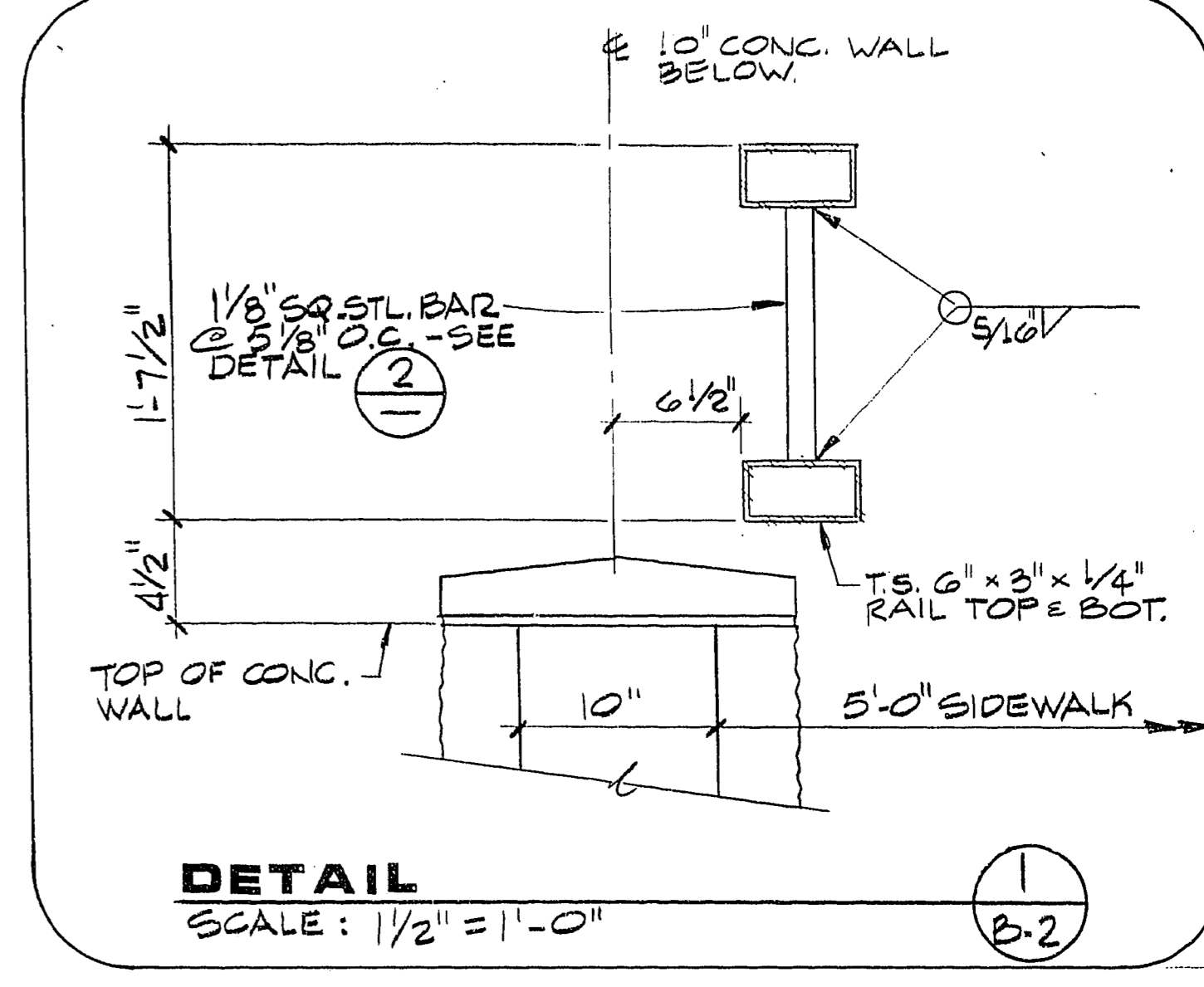
**RETAINING WALL ELEVATION**  
SCALE: 3/8" = 1'-0"

**CONC. RETAINING WALL DETAIL** (3)  
SCALE: 3/8" = 1'-0" (B-2)

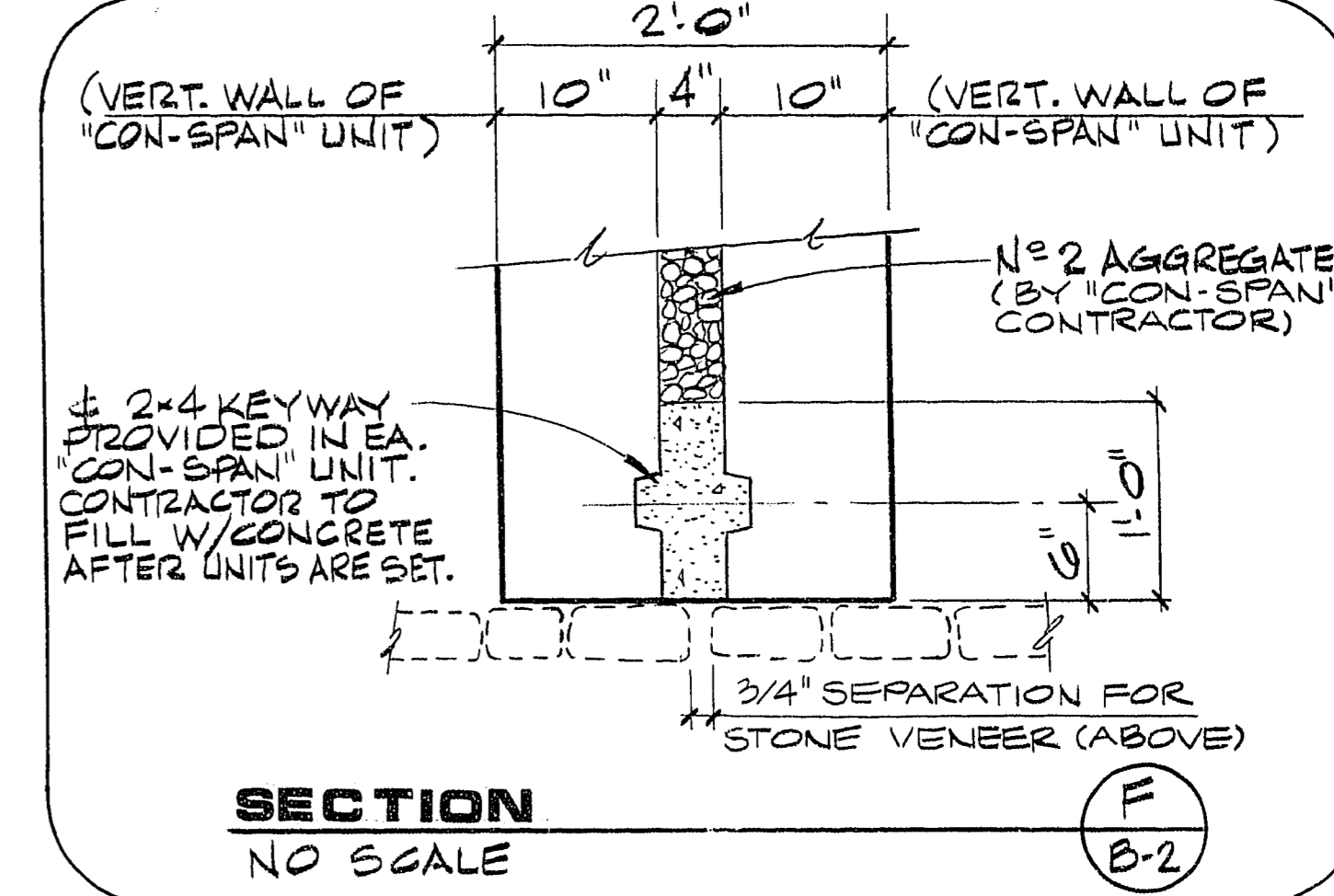
**SECTION** (G)  
SCALE: 3/8" = 1'-0" (B-2)



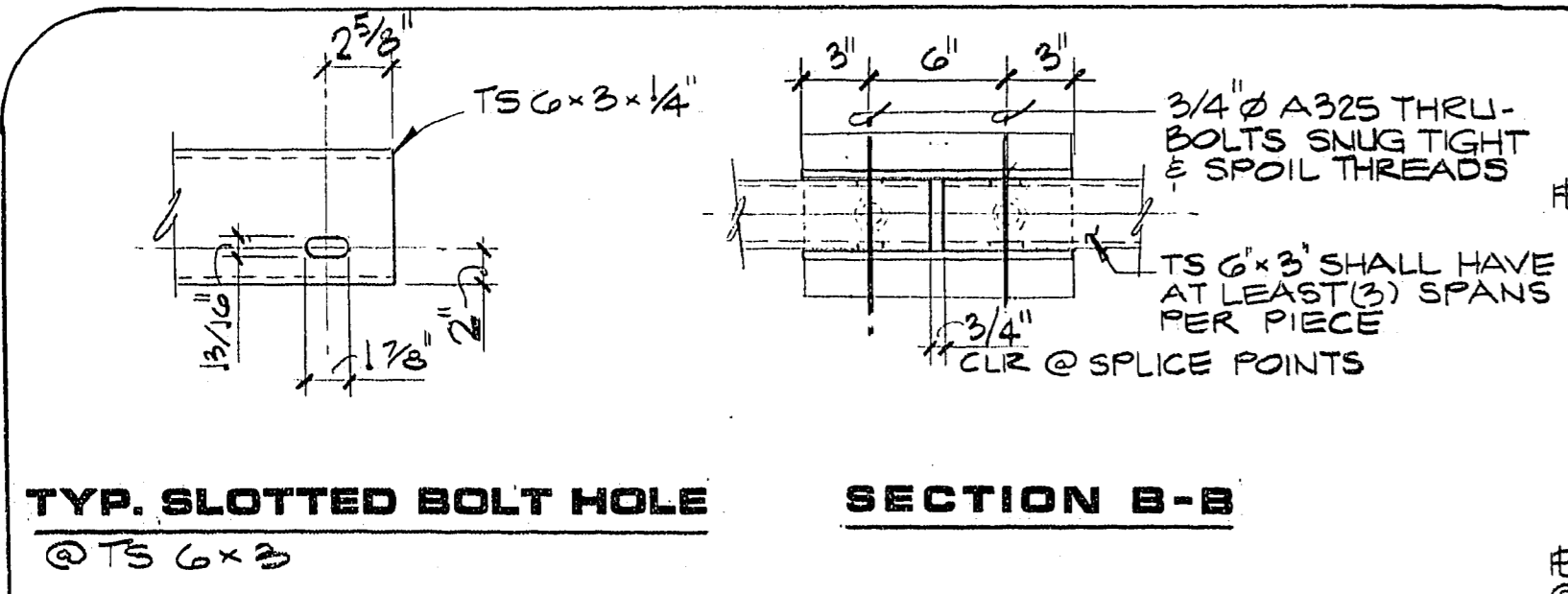
**SECTION** (E)  
SCALE: 3/4" = 1'-0" (B-2)



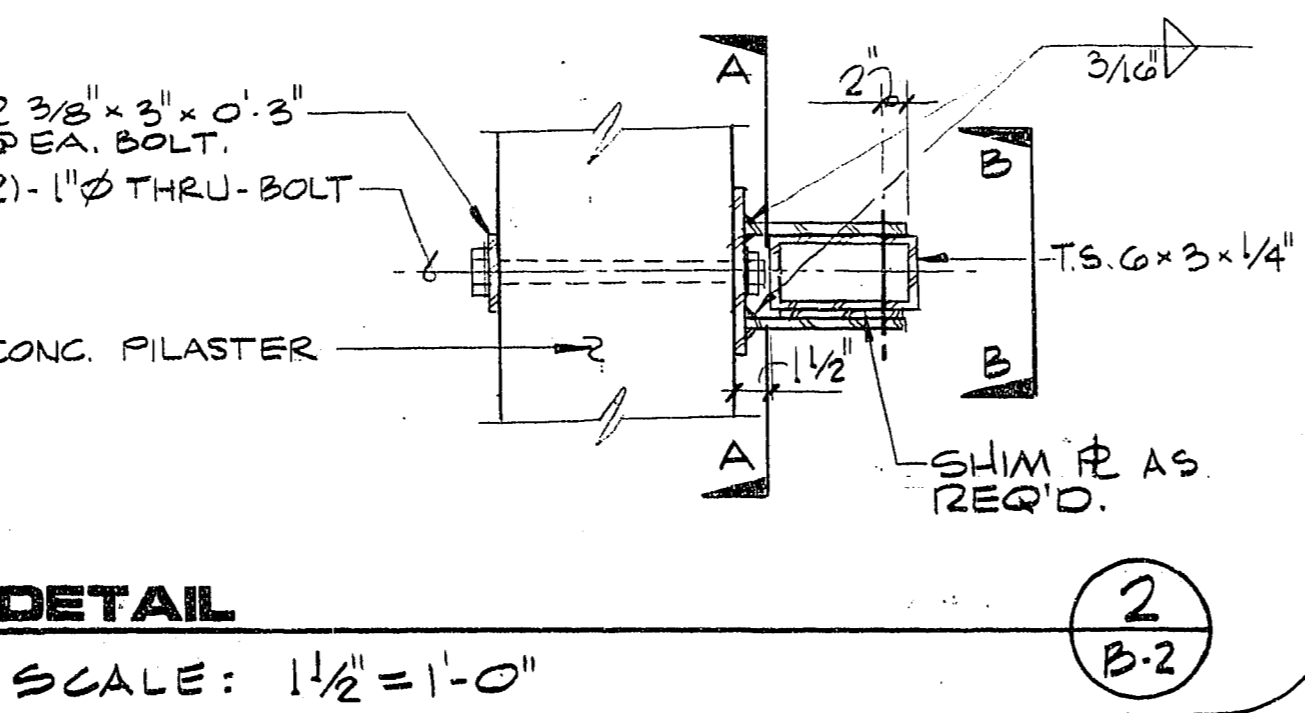
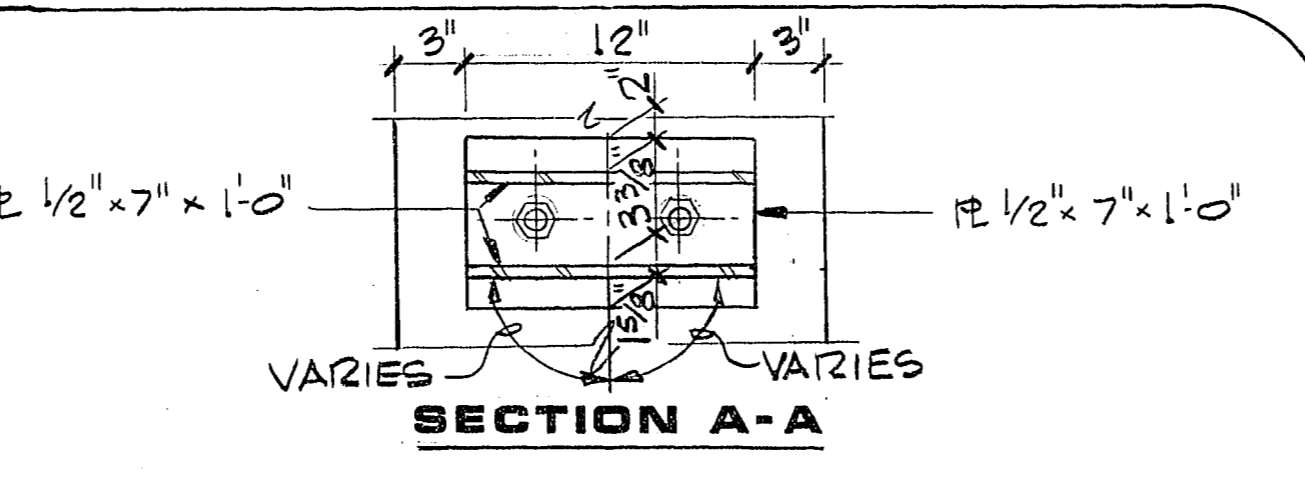
**DETAIL**  
SCALE: 1/2" = 1'-0" (B-2)



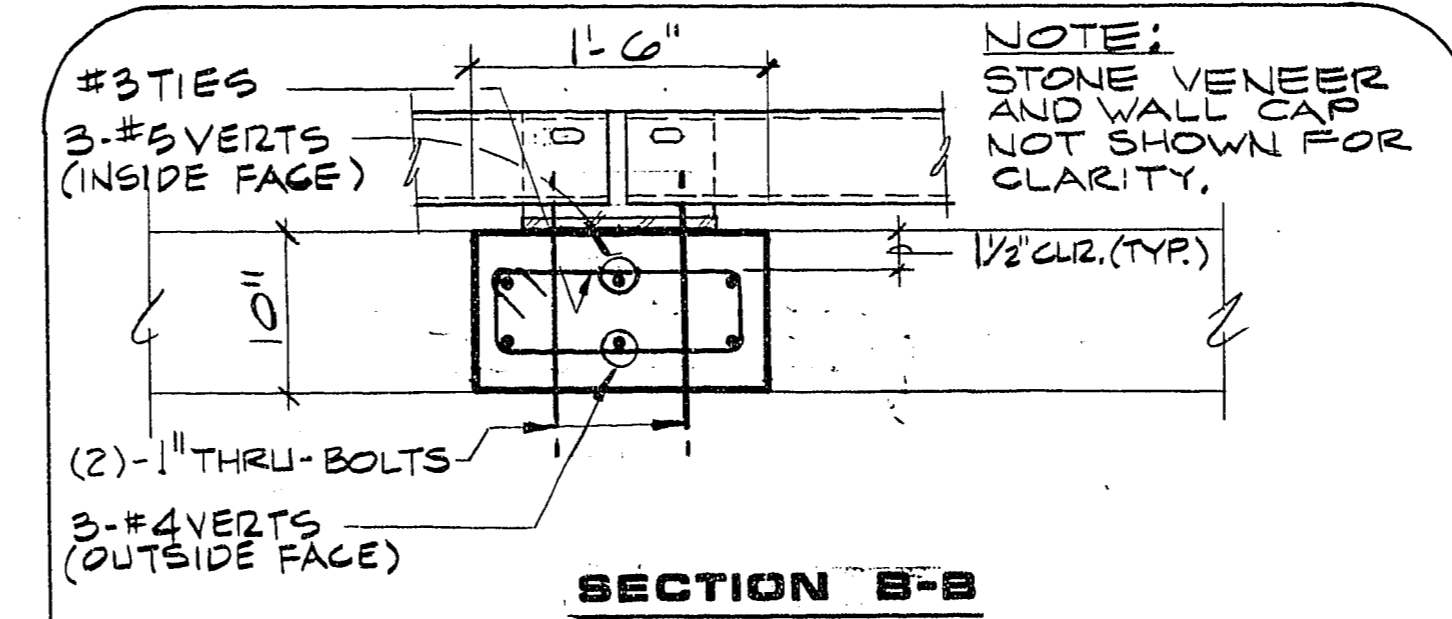
**SECTION**  
NO SCALE (B-2)



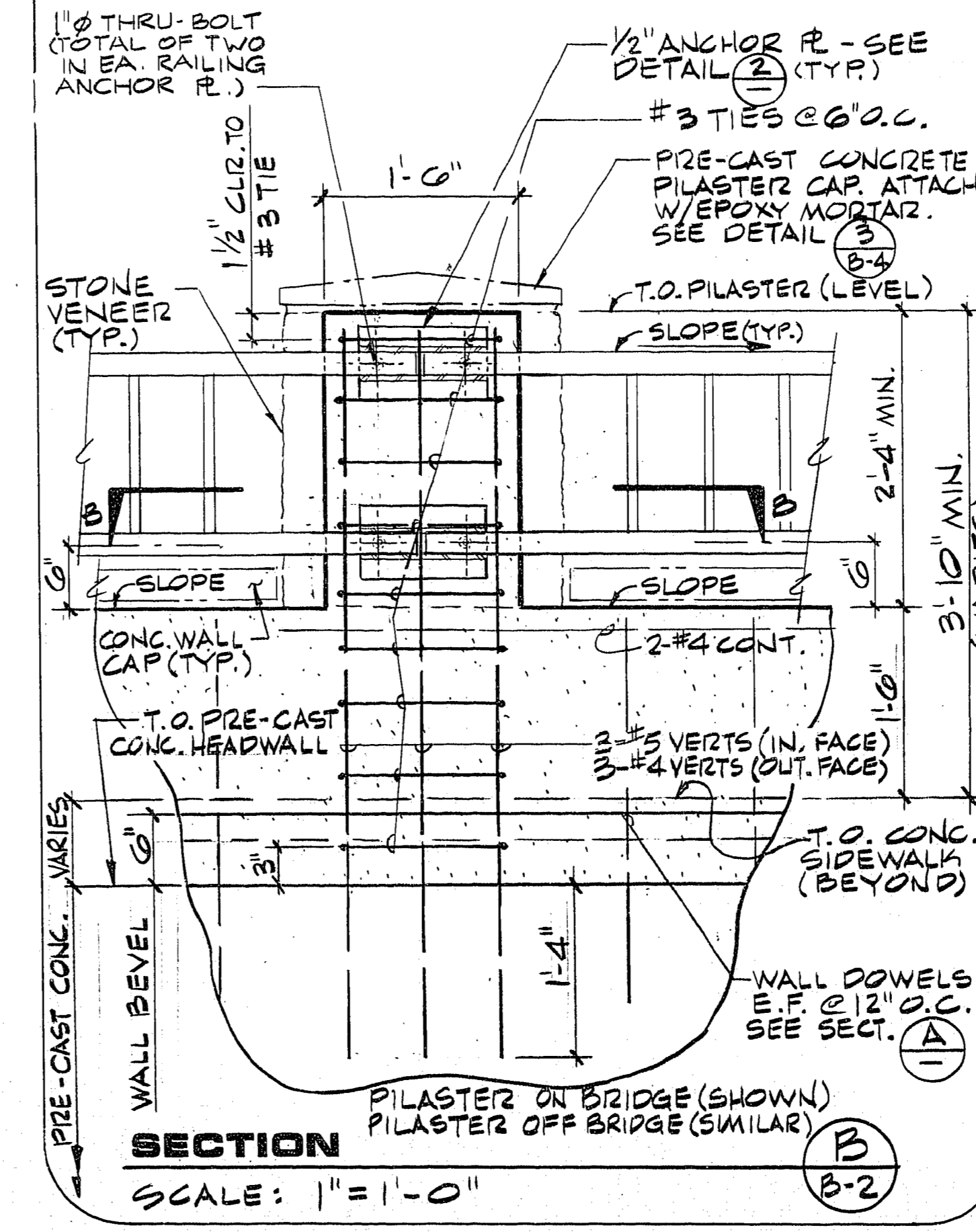
**TYP. SLOTTED BOLT HOLE**  
@ T.S. 6 x 3  
**SECTION B-B**



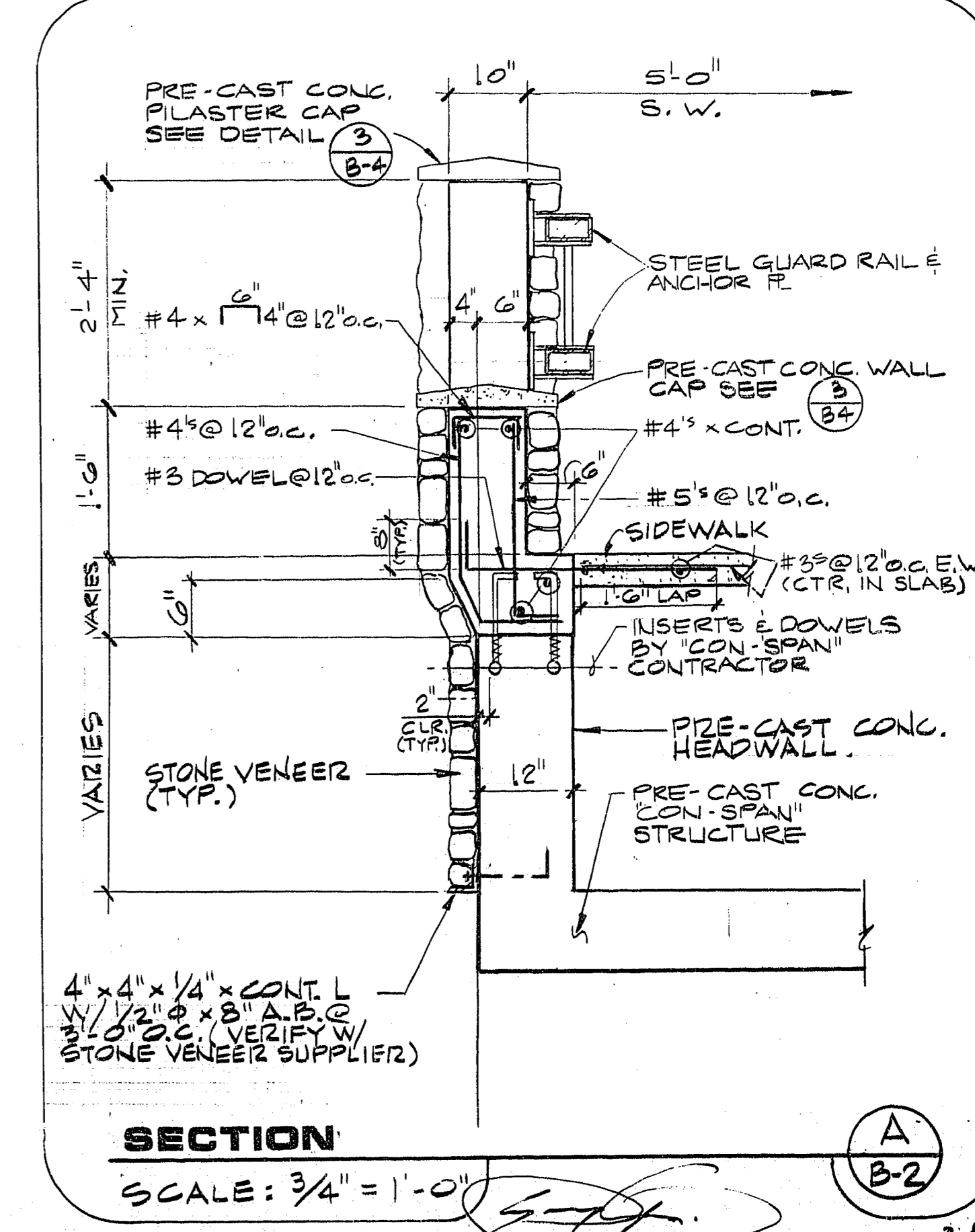
**DETAIL**  
SCALE: 1 1/2" = 1'-0" (B-2)



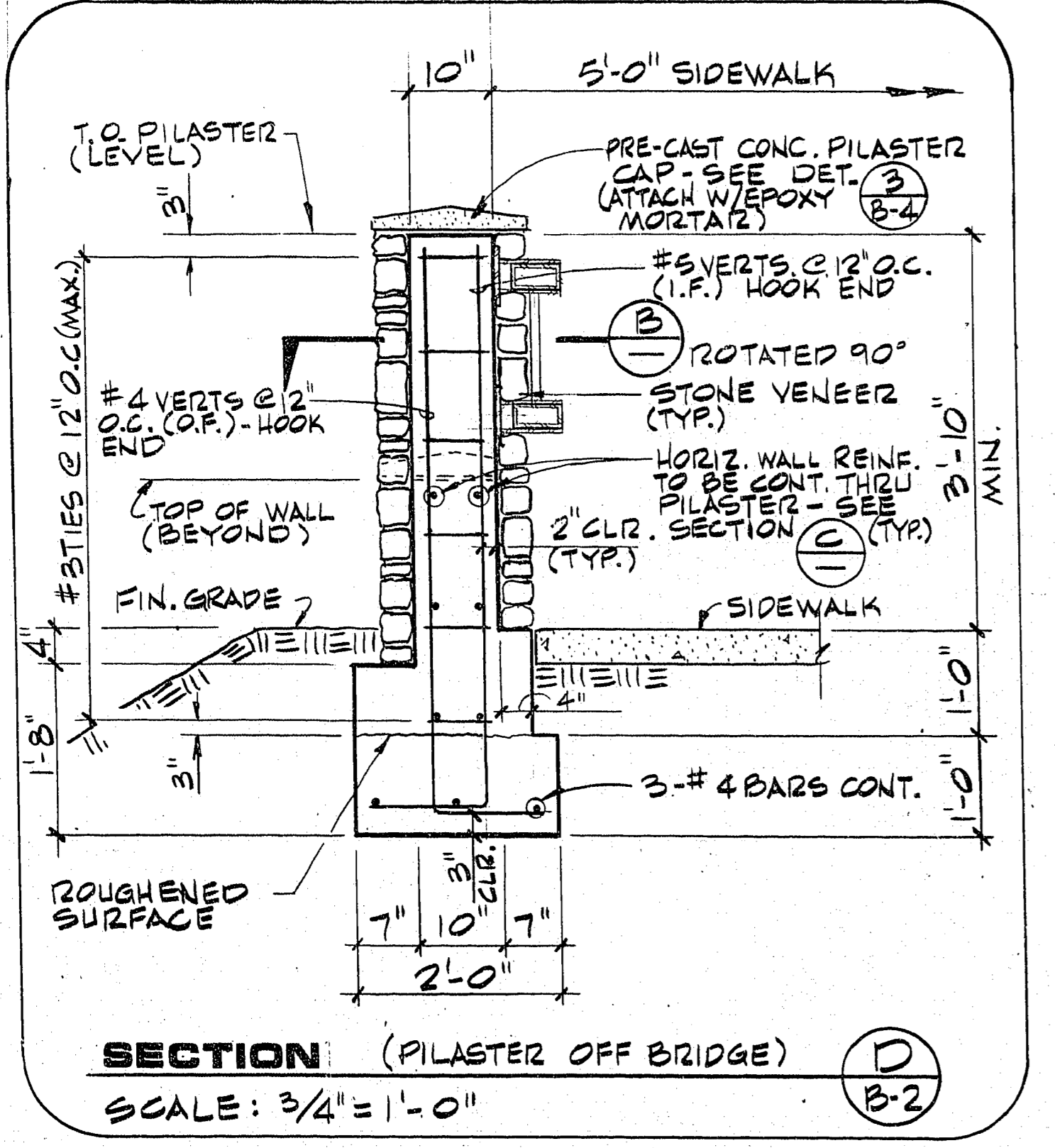
**SECTION B-B**



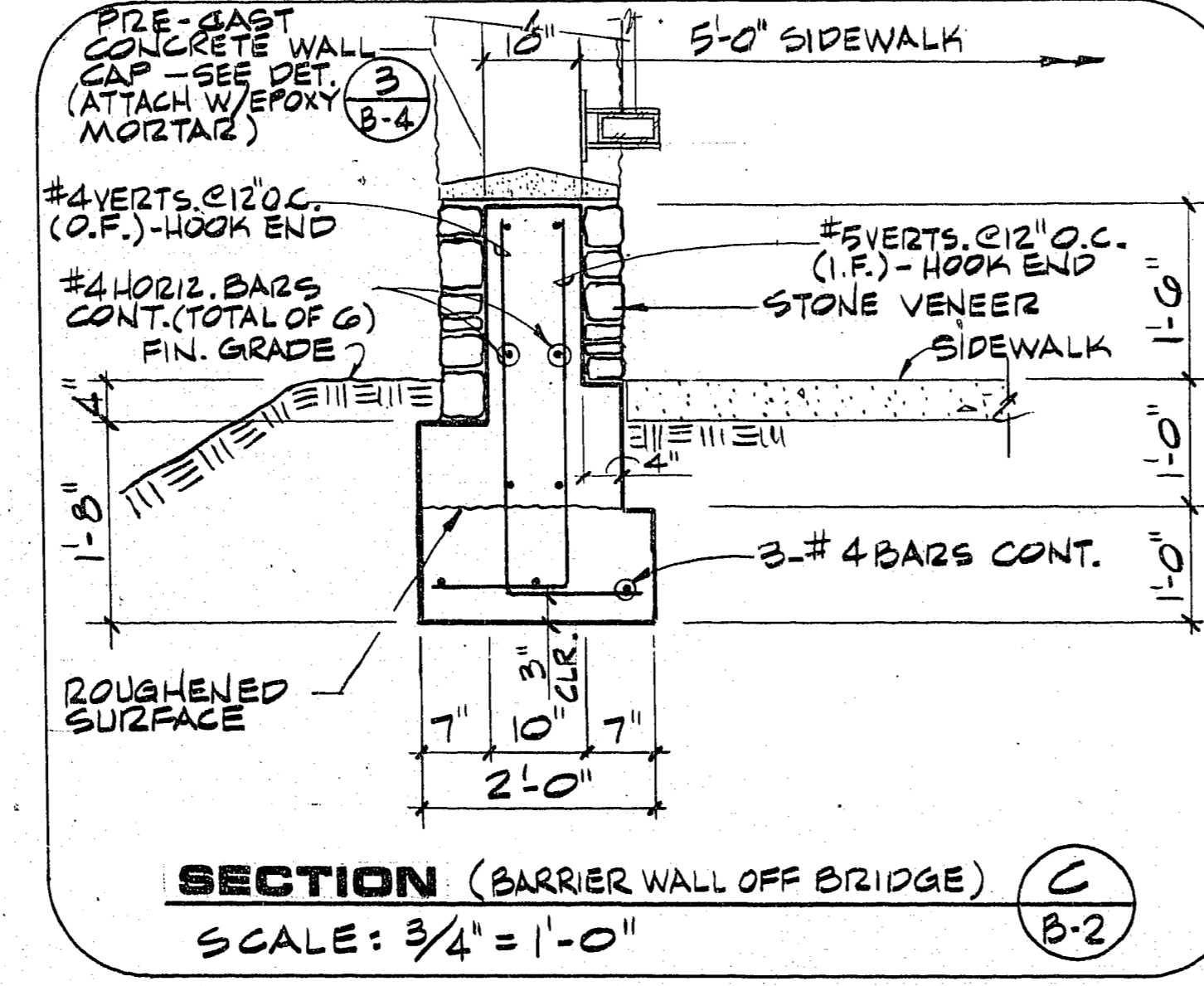
**SECTION**  
SCALE: 1" = 1'-0" (B-2)



**SECTION**  
SCALE: 3/4" = 1'-0" (A)  
(B-2)



**SECTION (PILASTER OFF BRIDGE)**  
SCALE: 3/4" = 1'-0" (D)  
(B-2)



**SECTION (BARRIER WALL OFF BRIDGE)**  
SCALE: 3/4" = 1'-0" (C)  
(B-2)

DESCRIPTION: BRIDGE STRUCTURE SECTIONS & DETAILS  
 REV. DATE: 2/24/99  
 REV. ENTIRE SHEET  
 R.S. WALLACE  
 G.C. WALLACE, INC.  
 Engineering/Architecture  
 1555 SOUTH RAINBOW BLVD. LAS VEGAS, NEVADA 89102  
 DESERT SHORES DEVELOPMENT CO.  
 DESERT SHORES - PHASE 1  
 SHEET  
**B-2**  
 OF 6 SHEETS  
 CITY ENGINEER  
 DATE: 2-2-99

JOB NO. 660.020