

ESTIMATE OF QUANTITIES

STREET IMPROVEMENTS

1.	3/4" OPEN GRADE	5488	S.Y.
2.	3" A.C. PAVING	8282	S.Y.
3.	2" A.C. PAVING	18329	S.Y.
4.	TYPE 2 GRAVEL BASE	3527	C.Y.
5.	TYPE 1 GRAVEL BASE	5758	C.Y.
6.	24" CURB & GUTTER	6119	L.F.
7.	4" CONCRETE SIDEWALK	23265	S.F.
8.	6" CONCRETE VALLEY GUTTER	6415	S.F.
9.	ROLL TYPE CURB & GUTTER	1257	L.F.
10.	DRIVEWAYS	14124	S.F.
11.	WHEELCHAIR RAMPS	17	EA.
12.	100 W.H.P.S. ST. LIGHTS	12	EA.
13.	250 W.H.P.S. ST. LIGHTS	7	EA.
14.	1 1/4" PVC CONDUIT	4555	L.F.
15.	#3 1/2 PULLBOX	8	EA.
16.	STREET NAME SIGNS	8	EA.
17.	STOP SIGNS	7	EA.

SANITARY SEWER IMPROVEMENTS

1.	10" SEWER LINE	2522	L.F.
2.	8" SEWER LINE	2757	L.F.
3.	STANDARD MANHOLE	20	EA.
4.	4" SEWER LATERAL	2725	L.F.

ROAD CONSTRUCTION NOTES

1. APPLY FOG SEAL ONLY AFTER ALL CORRECTIONS AND ADJUSTMENTS HAVE BEEN MADE.
2. A.C. PAVEMENT TO BE 1/2" ABOVE LIP OF ALL GUTTERS AND VALLEY GUTTERS AFTER COMPACTION.
3. SUBGRADE FOR TYPE 1 UNDER CURB & GUTTER AND UNDER A.C. TO BE CONTINUOUS.
4. EXPANSION JOINTS REQUIRED, MAXIMUM EVERY 300' IN EXTRUDED TYPE CURB.
5. TYPE V CEMENT SHALL BE USED IN ALL OFFSITE CONCRETE WORK.
6. ALL CURB STAKING SHALL BE AT 25' MINIMUM SPACING. STRING LINE CHECK PRIOR TO COMMENCEMENT OF CURB CONSTRUCTION.

C.L.V. SEWER NOTES

1. ALL SANITARY SEWER INSTALLATIONS SHALL CONFORM TO THE STANDARD DETAILS AND SPECIFICATIONS OF THE CITY OF LAS VEGAS, AND SHALL ALSO CONFORM TO THE UNIFORM STANDARD SPECIFICATIONS FOR PUBLIC WORKS CONSTRUCTION OF OFFSITE IMPROVEMENTS, CLARK COUNTY AREA, LATEST EDITION, UNLESS OTHERWISE NOTED.
2. ALL CONTRACTORS INSTALLING SEWER MAINS WHICH WILL BE UNDER THE JURISDICTION OF THE CITY OF LAS VEGAS SHALL BE CLASS "A" CONTRACTORS.
3. SEWER MAINS ONLY TO BE LAID IN SEWER TRENCHES.
4. CHISEL "S" OR "G" IN CURBS WHEREVER SEWER OR GAS LATERALS PASS UNDER THE CURB.
5. POLYVINYL CHLORIDE (PVC) SEWER PIPE SHALL MEET ASTM D-3034 SDR 35 SPECIFICATIONS.
7. TEE SADDLES SHALL BE USED TO CONNECT SEWER LATERALS TO EXISTING MAIN LINES UP TO 12" DIAMETER SIZE. CONNECTIONS TO 15" OR LARGER MAINS SHALL REQUIRE SPECIAL PROCEDURES.

TRAFFIC NOTES

1. BEFORE ANY WORK IS STARTED IN THE RIGHT-OF-WAY, THE CONTRACTOR SHALL INSTALL ALL ADVANCE WARNING SIGNS FOR THE CONSTRUCTION ZONE. THE CONTRACTOR SHALL INSTALL TEMPORARY STOP SIGNS AT ALL NEW STREET ENCROACHMENTS INTO EXISTING COUNTY STREET IMMEDIATELY AFTER FIRST GRADING WORK IS ACCOMPLISHED, AND SHALL MAINTAIN SAID SIGNS UNTIL PERMANENT SIGNS ARE INSTALLED.
2. ALL CONSTRUCTION SIGNING, BARRICADING AND TRAFFIC DELINEATION SHALL CONFORM TO THE "NEVADA WORK ZONE TRAFFIC CONTROL HANDBOOK - 1985" AND TO THE "MANUAL OF UNIFORM TRAFFIC CONTROL DEVICES -1978".
3. THE DEVELOPER SHALL BE RESPONSIBLE TO PROVIDE AND INSTALL ALL PERMANENT SIGNS SHOWN ON THE PLANS. STREET NAME SIGNS SHALL CONFORM IN THEIR ENTIRETY TO CITY OF LAS VEGAS STANDARDS. ALL OTHER SIGNS SHALL CONFORM TO THE "MANUAL ON UNIFORM TRAFFIC CONTROL DEVICES" AND SHALL BE STANDARD SIZE UNLESS OTHERWISE SPECIFIED ON THE PLANS. ALL SIGN POSTS SHALL BE INSTALLED IN ACCORDANCE WITH CITY OF LAS VEGAS STANDARDS.
4. ALL PERMANENT TRAFFIC CONTROL DEVICES CALLED FOR HEREON SHALL BE IN PLACE AND IN FINAL POSITION PRIOR TO ALLOWING ANY PUBLIC TRAFFIC ONTO THE PORTIONS OF THE ROAD(S) BEING IMPROVED HEREUNDER, REGARDLESS OF THE STATUS OF COMPLETION OF PAVING OR OTHER OFFSITE IMPROVEMENTS CALLED FOR BY THESE PLANS.
5. IF THE IMPROVEMENTS NECESSITATE THE OBLITERATION, TEMPORARY OBSTRUCTION, TEMPORARY REMOVAL, OR RELOCATION OF ANY EXISTING TRAFFIC PAVEMENT MARKING SUCH PAVEMENT MARKING SHALL BE RESTORED OR REPLACED WITH LIKE MATERIALS TO THE SATISFACTION OF THE CITY OF LAS VEGAS TRAFFIC ENGINEER.
6. IF A PROPOSED STREETLIGHT STANDARD IS FIELD LOCATED TO WITHIN FIVE (5) FEET OF ANY SIGN SHOWN HEREON TO BE MOUNTED ON A SIGN POST, THEN CHANGE SIGN MOUNTING TO ONE ON THE STREETLIGHT STANDARD.

LEGEND

---	R/W OR PROPERTY LINE
(0000)	EX. GRADE
0.000	PROPOSED FINISH GRADE
—○—S	EX. SEWER W/ MANHOLE
—○—	PROPOSED SEWER W/ MANHOLE
—W—	EX. WATER W/ VALVE
—W—	PROPOSED WATER W/ VALVE
—H—	EX. FIRE HYDRANT
—H—	PROPOSED FIRE HYDRANT
—○—	EX. STREET LIGHT
—○—	PROPOSED STREET LIGHT
—S—	STREET LIGHT CONDUIT
—	PULL BOX
—	STREET NAME SIGN

CONSTRUCTION NOTES

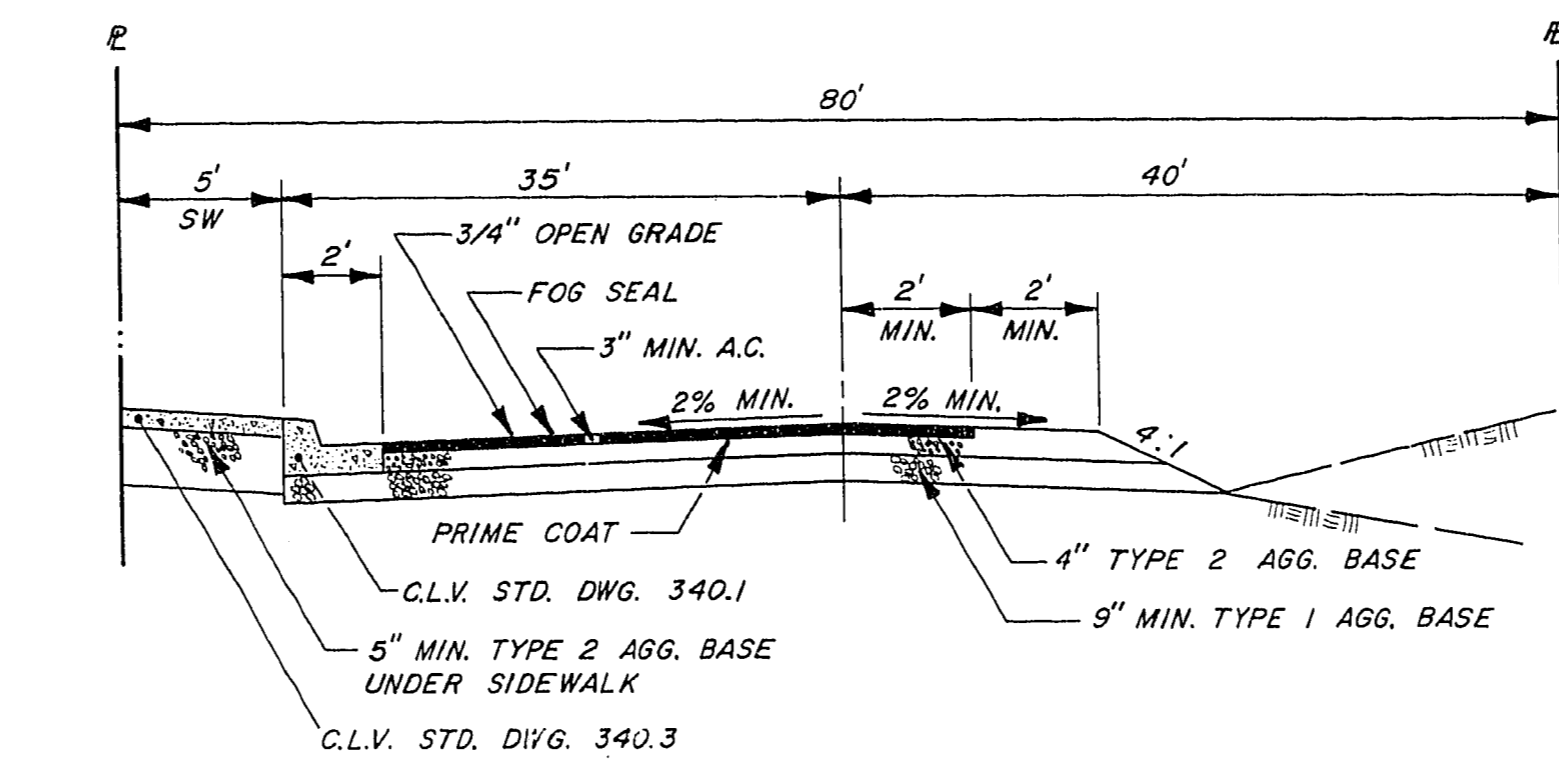
1. HOUSE SERVICES SHALL COMPLY WITH WESTERN PLUMBING CODE AS THE SEPARATION DISTANCE.
2. ALL HOUSES TO BE SERVED INDIVIDUALLY AS PER SECTION 313 OF THE UNIFORM PLUMBING CODE.
3. CONTRACTOR SHALL FURNISH THE CITY ENGINEER WITH AS-BUILT DRAWING SHOWING THE EXACT LOCATIONS OF ALL HOUSE CONNECTIONS UPON COMPLETION OF CONSTRUCTION.
4. WEAKENED PLANE JOINTS SHALL BE PLACED IN CENTER OF ALL DRIVEWAYS THAT EXCEED 20' IN WIDTH.

STREET LIGHT NOTE

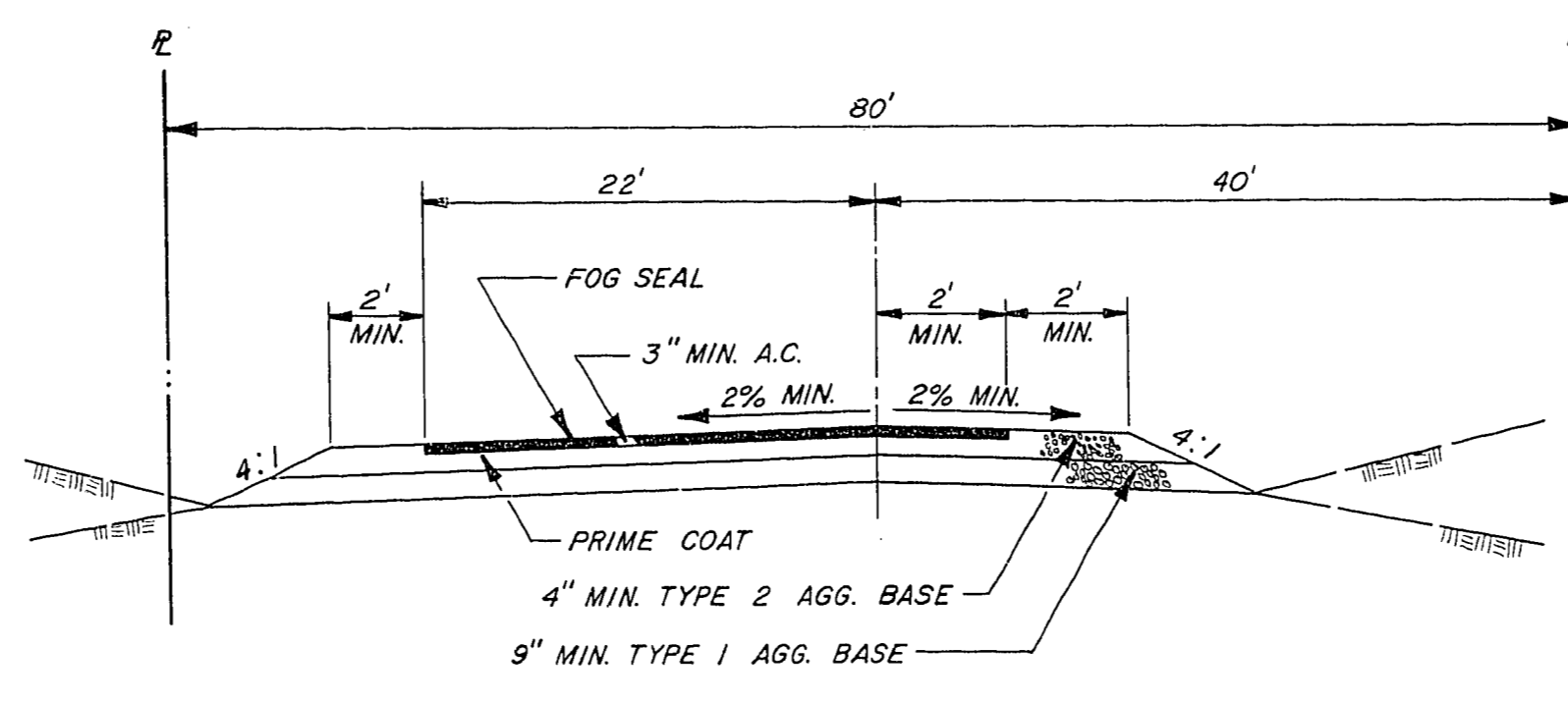
ALL STREET LIGHT INSTALLATIONS SHALL CONFORM TO THE STANDARD DETAILS AND SPECIFICATIONS OF THE CITY OF LAS VEGAS, AND SHALL ALSO CONFORM TO THE UNIFORM STANDARD SPECIFICATIONS FOR PUBLIC WORKS CONSTRUCTION OF OFFSITE IMPROVEMENTS, CLARK COUNTY AREA, LATEST EDITION, UNLESS OTHERWISE NOTED.

FIRE DEPARTMENT NOTES

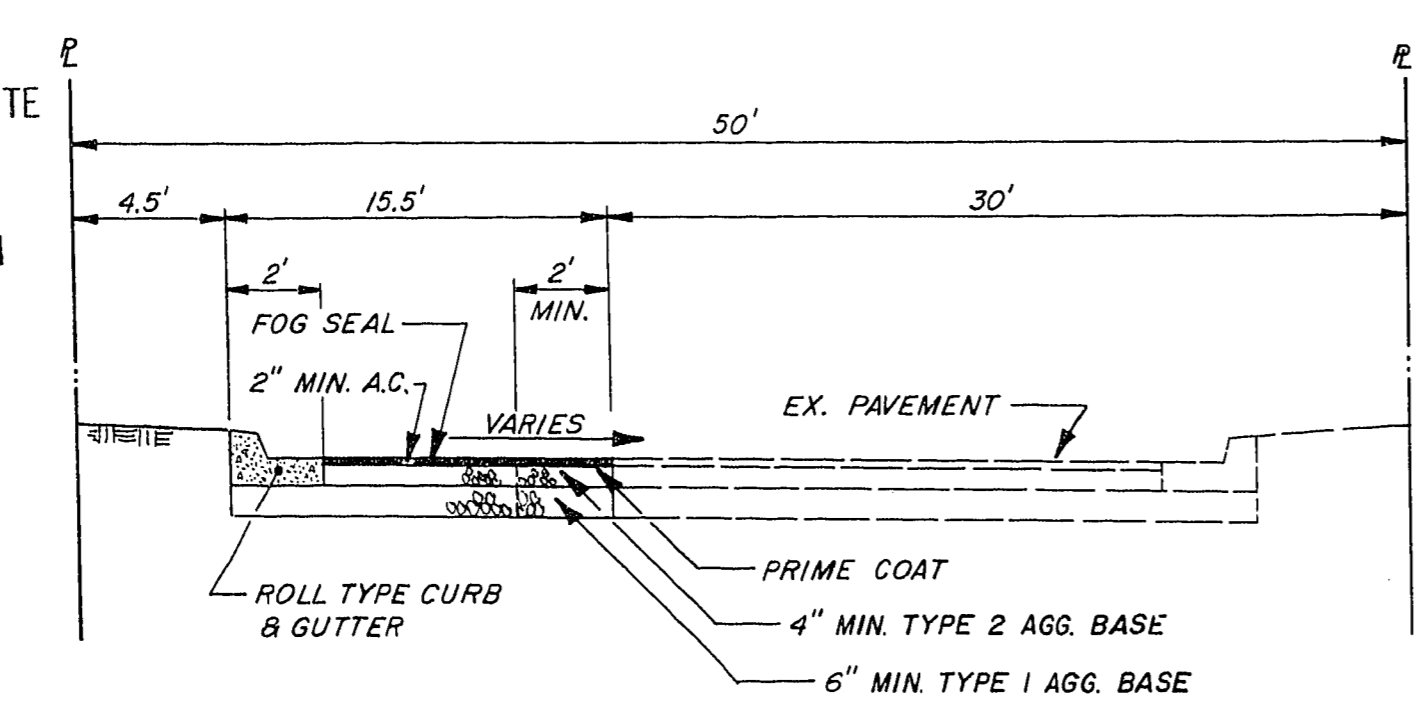
1. AUTHORIZED HYDRANTS FOR THIS PROJECT ARE:
A. KENNEDY GUARDIAN
B. MUELLER A-423
2. FIRE HYDRANTS ARE TO BE INSTALLED AND OPERABLE PRIOR TO COMBUSTIONABLE CONSTRUCTION.
3. CONTRACTOR SHALL PLACE A GREEN REFLECTIVE MARKER AT CENTERLINE OF STREET ADJACENT TO FIRE HYDRANTS.
4. CALL THE LAS VEGAS FIRE DEPARTMENT AT 383-2888 FOR UNDERGROUND INSPECTION. PRESSURE AND FLUSH VERIFICATION OF ALL FIRE HYDRANTS AND FIRE LINES BEFORE COVERING.



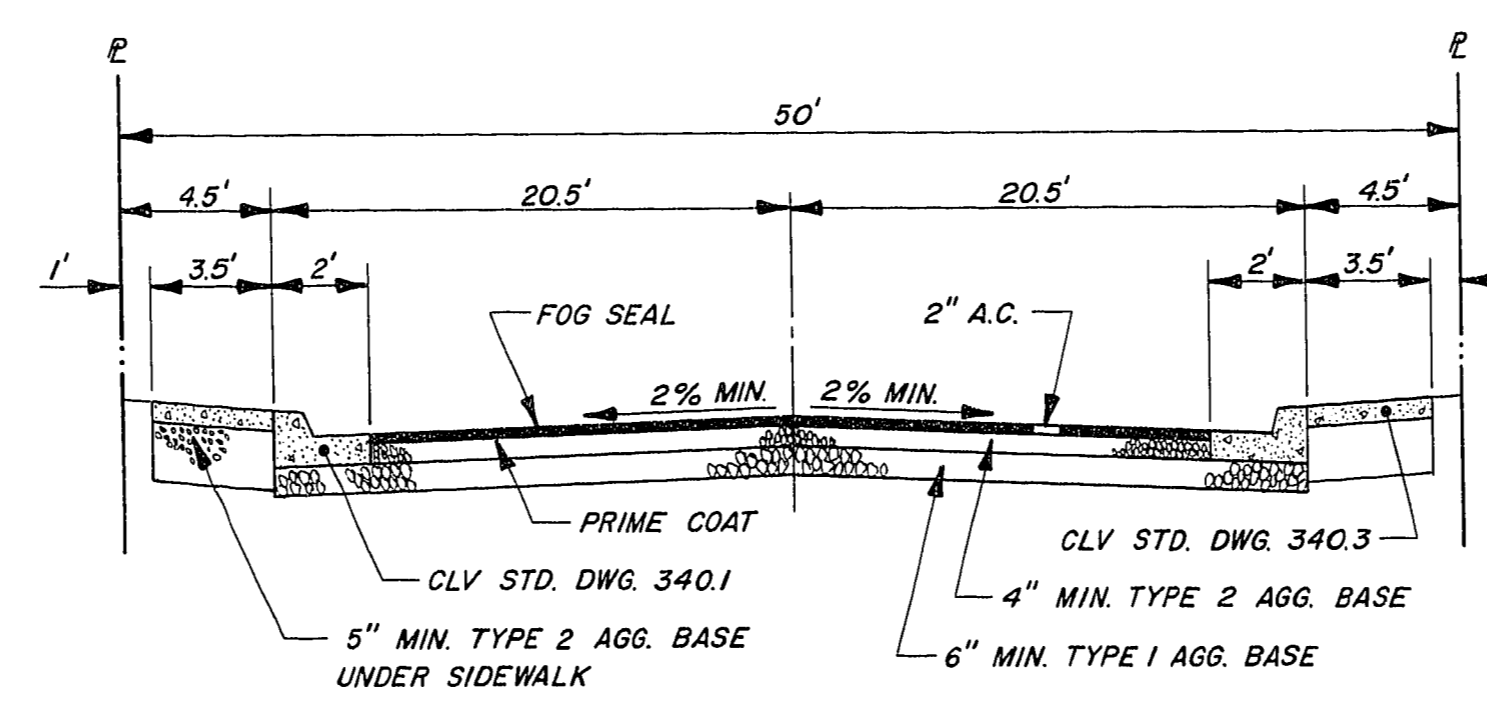
SECTION C
NO SCALE



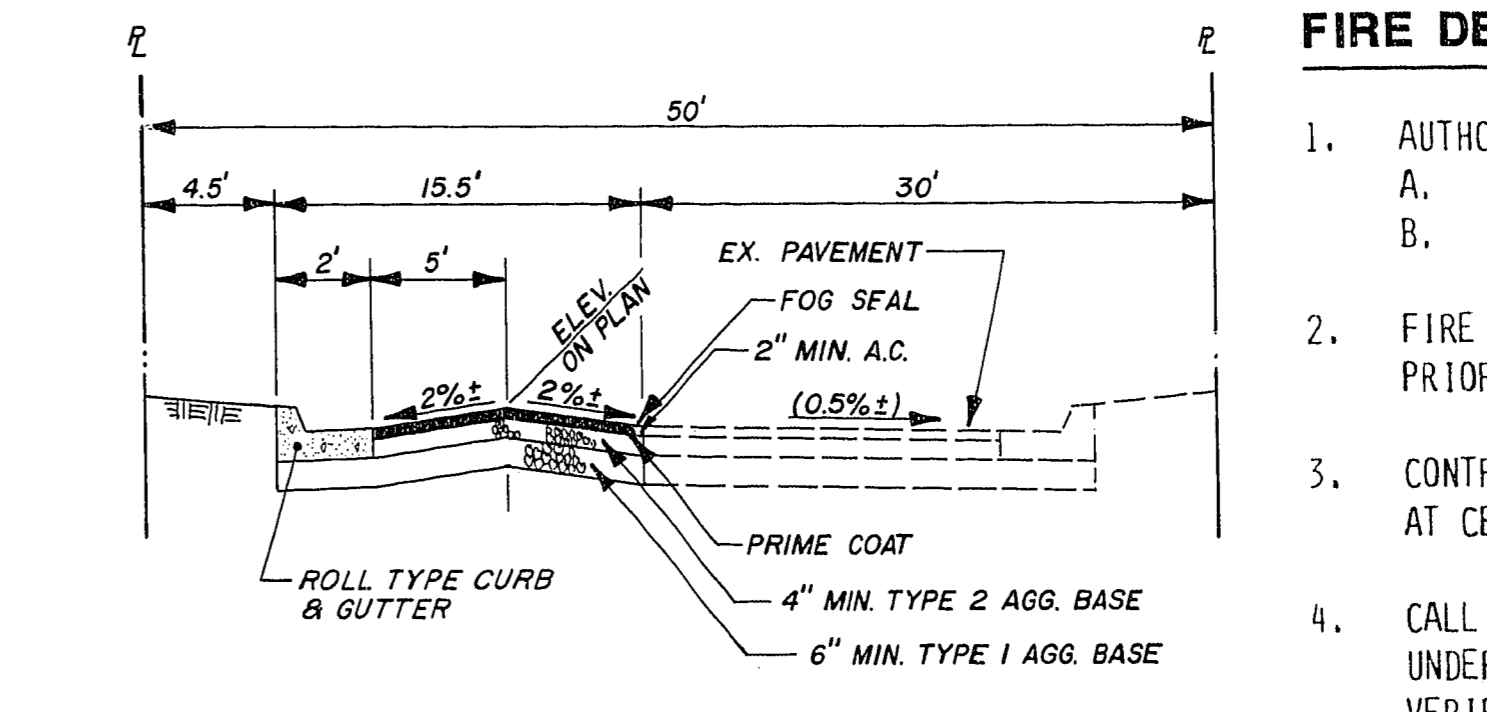
SECTION D
NO SCALE



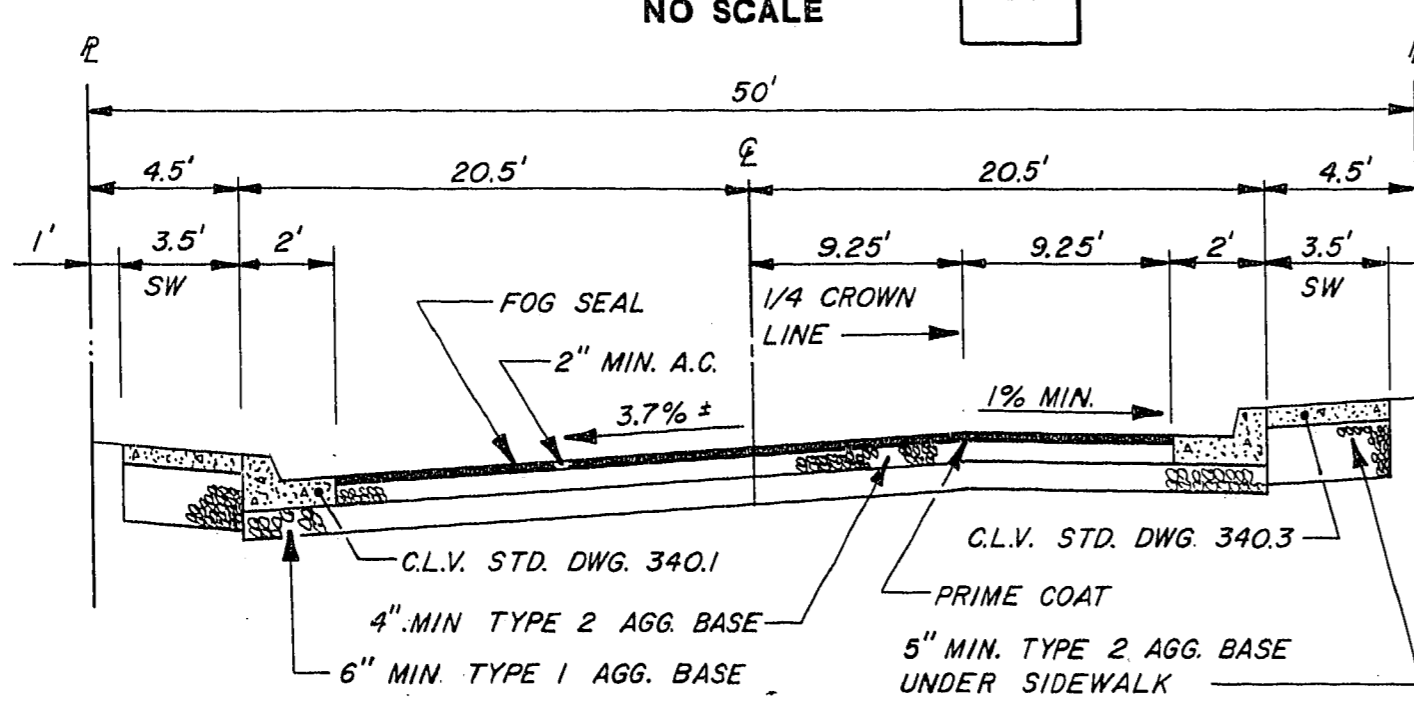
SECTION A
NO SCALE



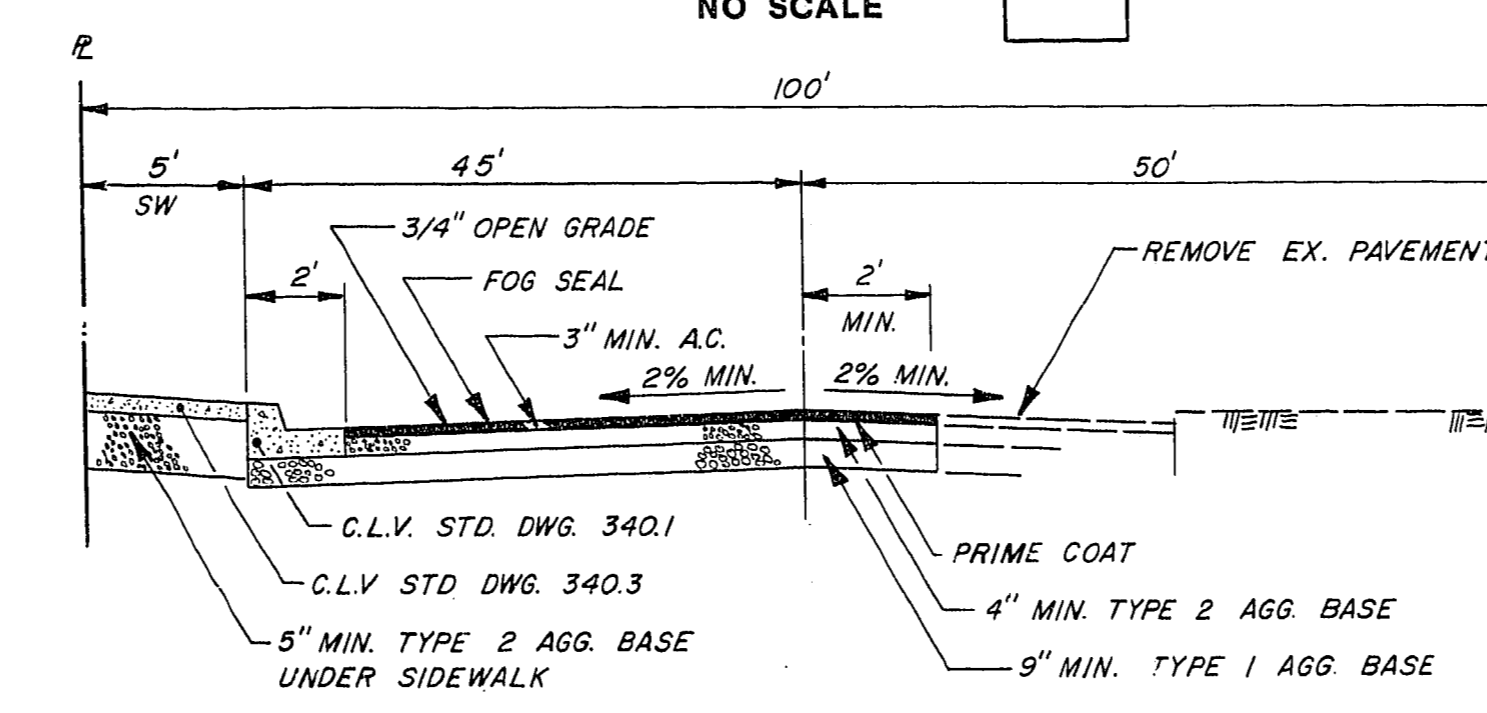
SECTION E
NO SCALE



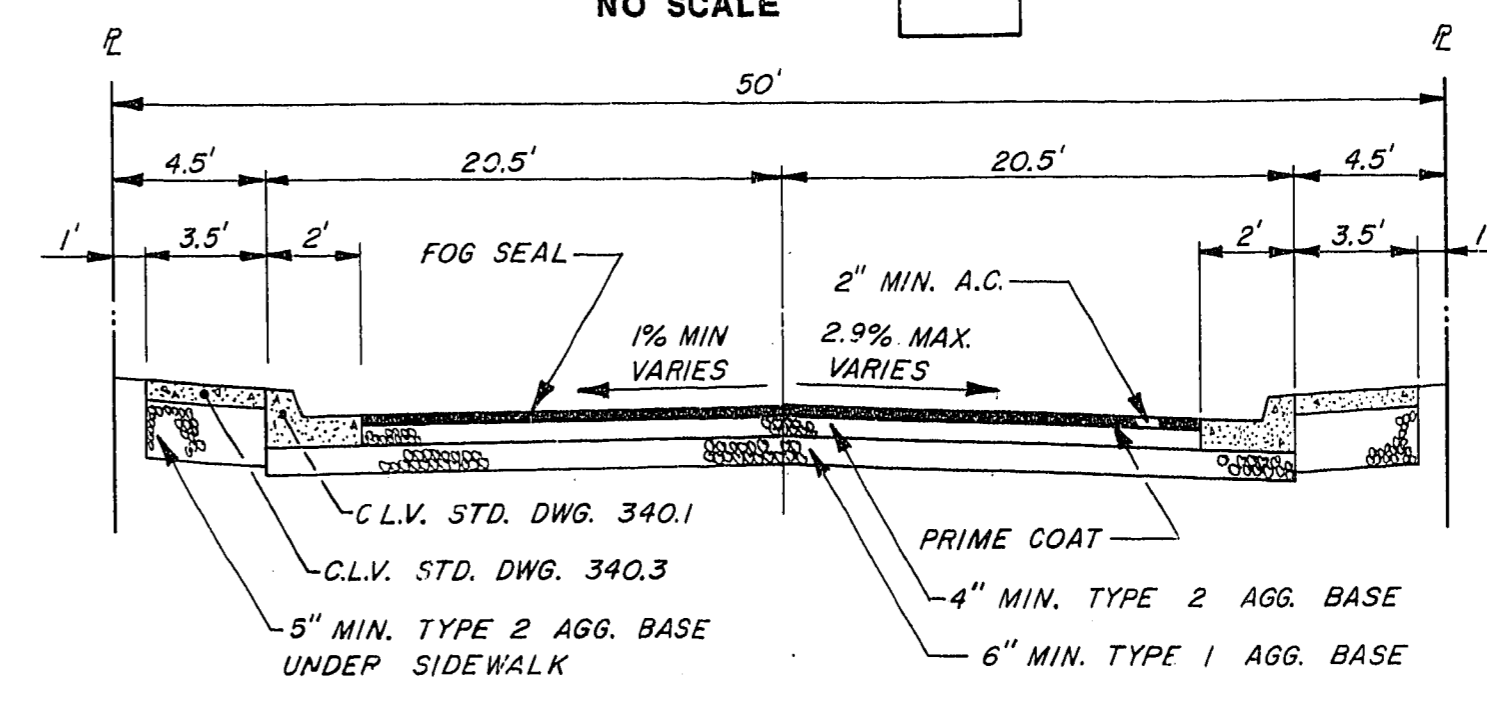
SECTION H
NO SCALE



SECTION B
NO SCALE



SECTION F
NO SCALE



SECTION G
NO SCALE

Avoid cutting underground utility lines. It's costly.

Call before you Dig.

1-800-227-2600

UNDERGROUND SERVICE ALERT (USA)

REV	DATE	BY	DESCRIPTION

SCALE:	DESIGNED	SUBMITTED
NO SCALE	DRAWN: C. KELEL / R. CRAFT	PROJECT ENGINEER
	CHECKED	RECOMMENDED
		JAMES M. MONTGOMERY CONSULTING ENGINEERS, INC.

JAMES M. MONTGOMERY CONSULTING ENGINEERS, INC.
1100 EAST SAHARA AVENUE | LAS VEGAS, NEVADA 89104

APPROVED	DATE
APPROVED	DATE

R. A. HOMES	
DESERT BREEZE SUBDIVISION	
QUANTITIES, NOTES AND TYPICAL SECTIONS	

SHEET
2
OF 10 SHEETS

(SEE COVER SHEET)
CLV LAND DEVEL. ENGINEER DATE

