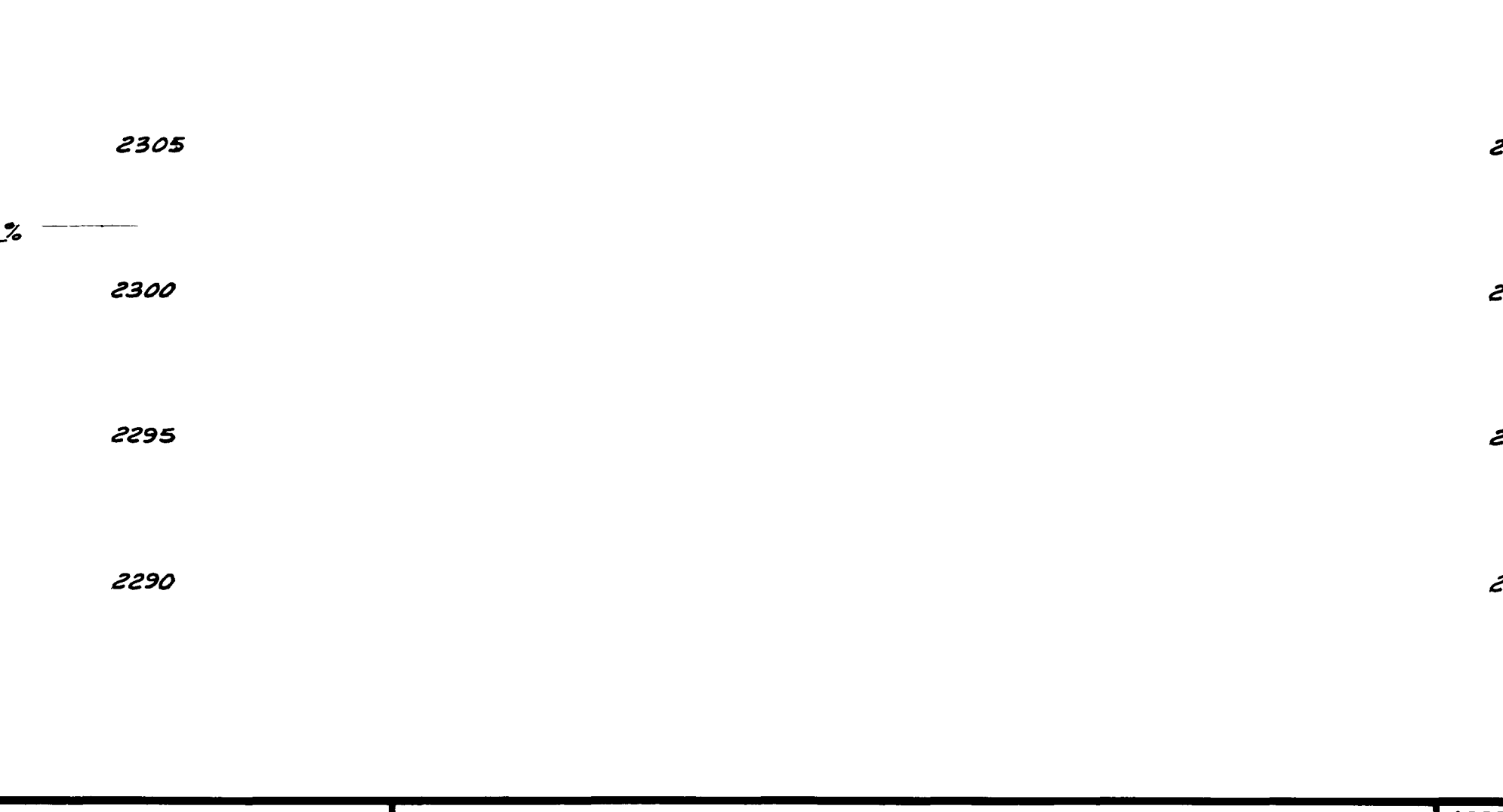
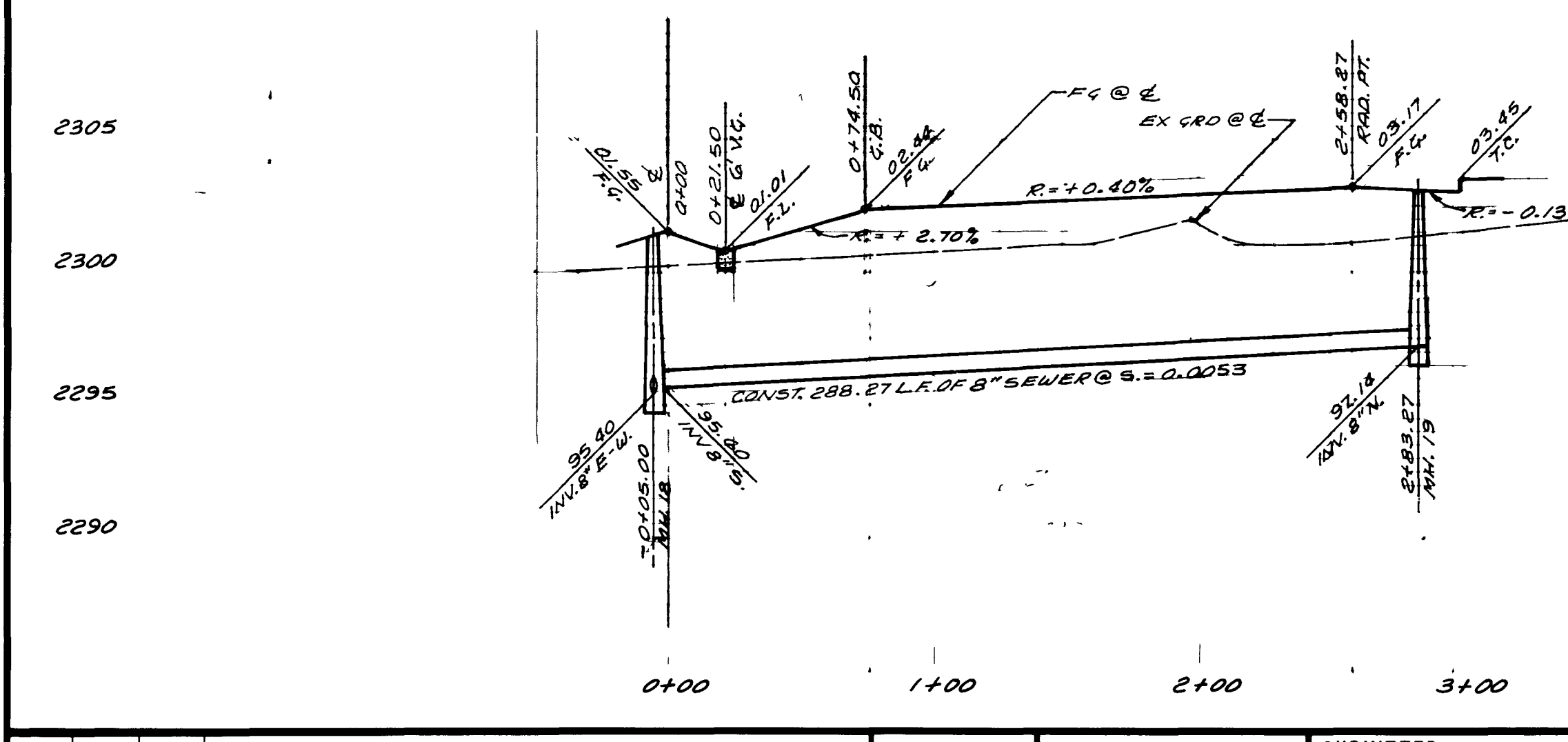
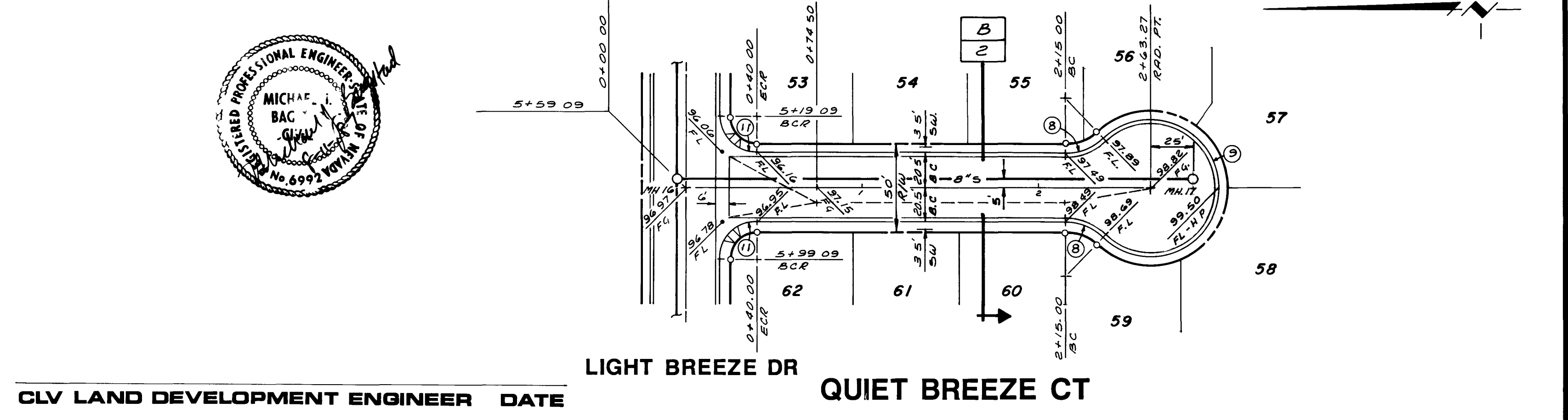


**B. C. CURVE DATA**

Station	Δ	R	L	T
1	82°27'20"	29.50'	42.45'	25.85'
2	97°32'40"	19.50'	33.20'	22.25'
3	82°27'20"	19.50'	28.06'	17.09'
4	97°32'40"	19.50'	33.20'	22.25'
5	82°27'20"	19.50'	28.06'	17.09'
6	96°16'30"	19.50'	32.77'	21.76'
7	83°43'30"	19.50'	28.50'	17.47'
8	43°59'29"	29.50'	22.65'	11.92'
9	267°58'58"	40.00'	187.09'	---
10	90°00'00"	19.50'	30.63'	19.50'
11	90°00'00"	19.50'	30.63'	19.50'
12	04°38'21"	1235.12'	100.01'	50.03'
13	04°38'21"	1194.12'	96.69'	48.37'
14	28°04'21"	29.50'	14.45'	7.38'
15	153°41'22"	55.50'	148.87'	237.46'
16	152°25'12"	55.50'	147.64'	226.13'



SCALE: HORIZ 1"=50' VERT 1"=5' DESIGNED: _____ DRAWN: _____ CHECKED: _____	SUBMITTED: _____ RECOMMENDED: _____ R P E NO. DATE	<b>MONTGOMERY ENGINEERS OF NEVADA</b> 1100 EAST SAHARA AVENUE, LAS VEGAS, NEVADA 89104	APPROVED: _____ DATE: _____ APPROVED: _____ DATE: _____	<b>R. A. HOMES</b> <b>DESERT BREEZE SUBDIVISION</b> <b>LIGHT BREEZE DR, LIGHT WIND CT AND QUIET BREEZE CT</b> <b>STREET IMPROVEMENT PLANS</b>	SHEET <b>7</b> OF 10 SHEETS
---	--	---	--	--	-----------------------------------

REV	DATE	BY	DESCRIPTION
1	11-11-87	RAY	LOWER SEWER BETWEEN MH.10 & MH.12 ON LIGHT BREEZE

1071-1234

