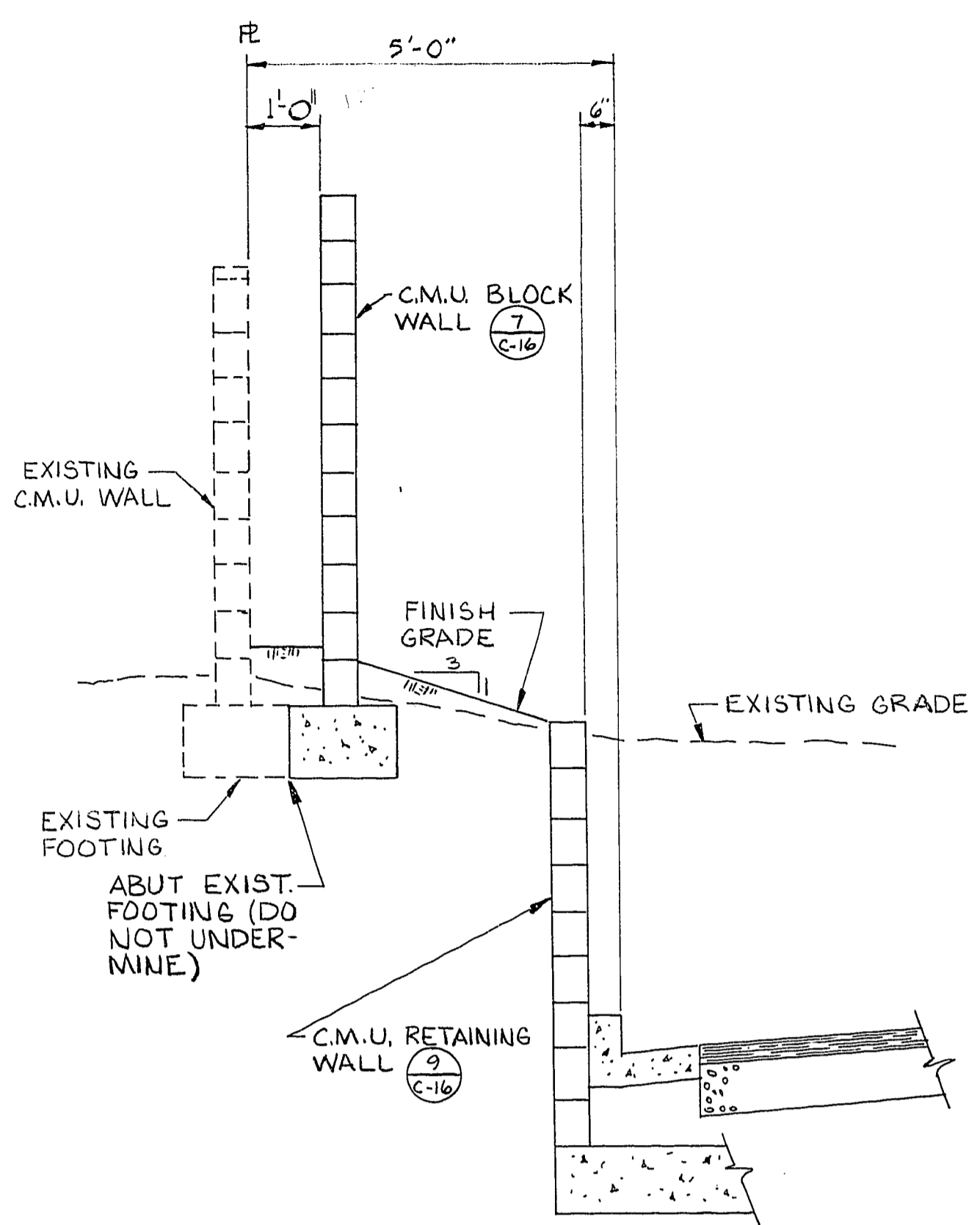


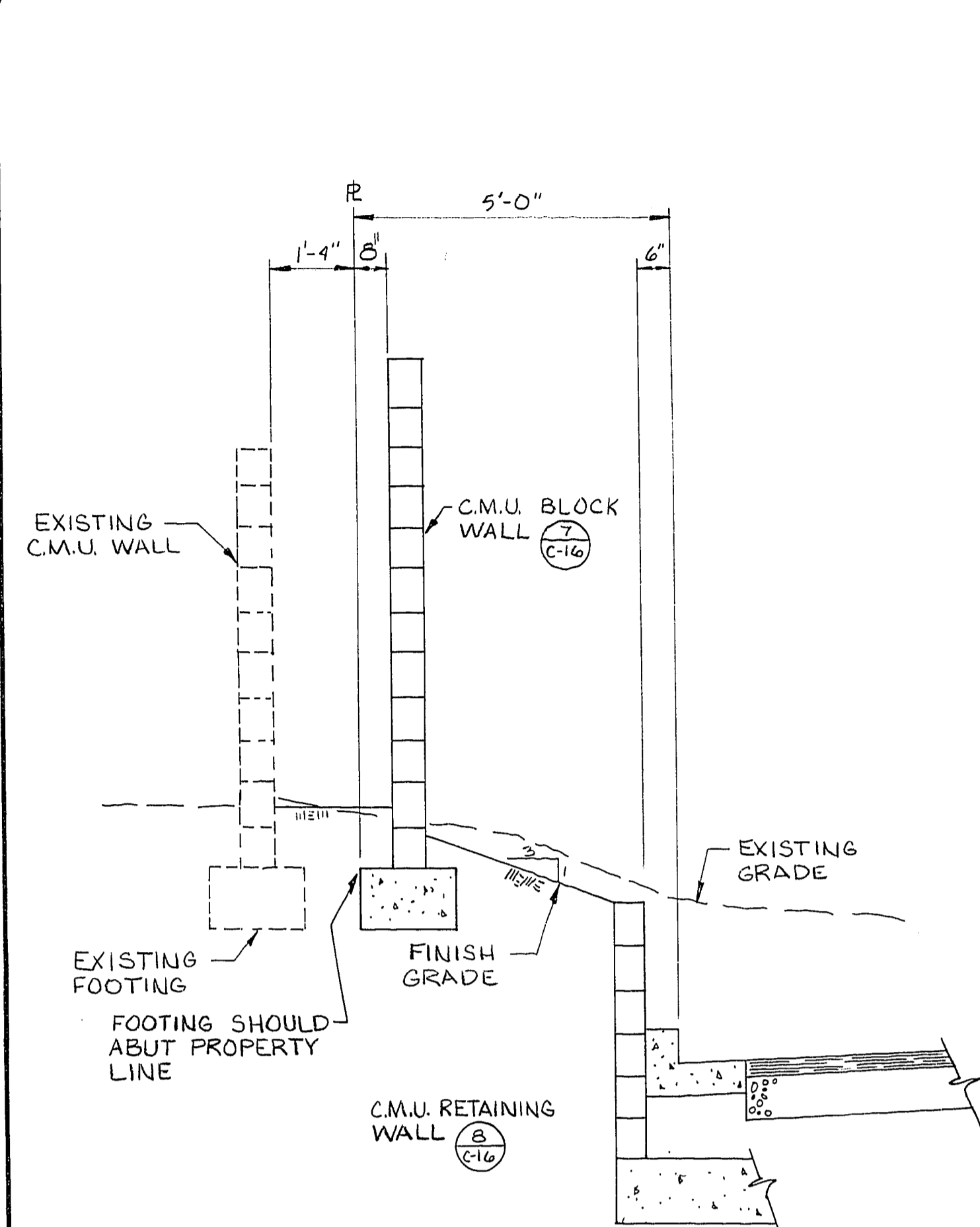
RETAINING WALL

9
C-16



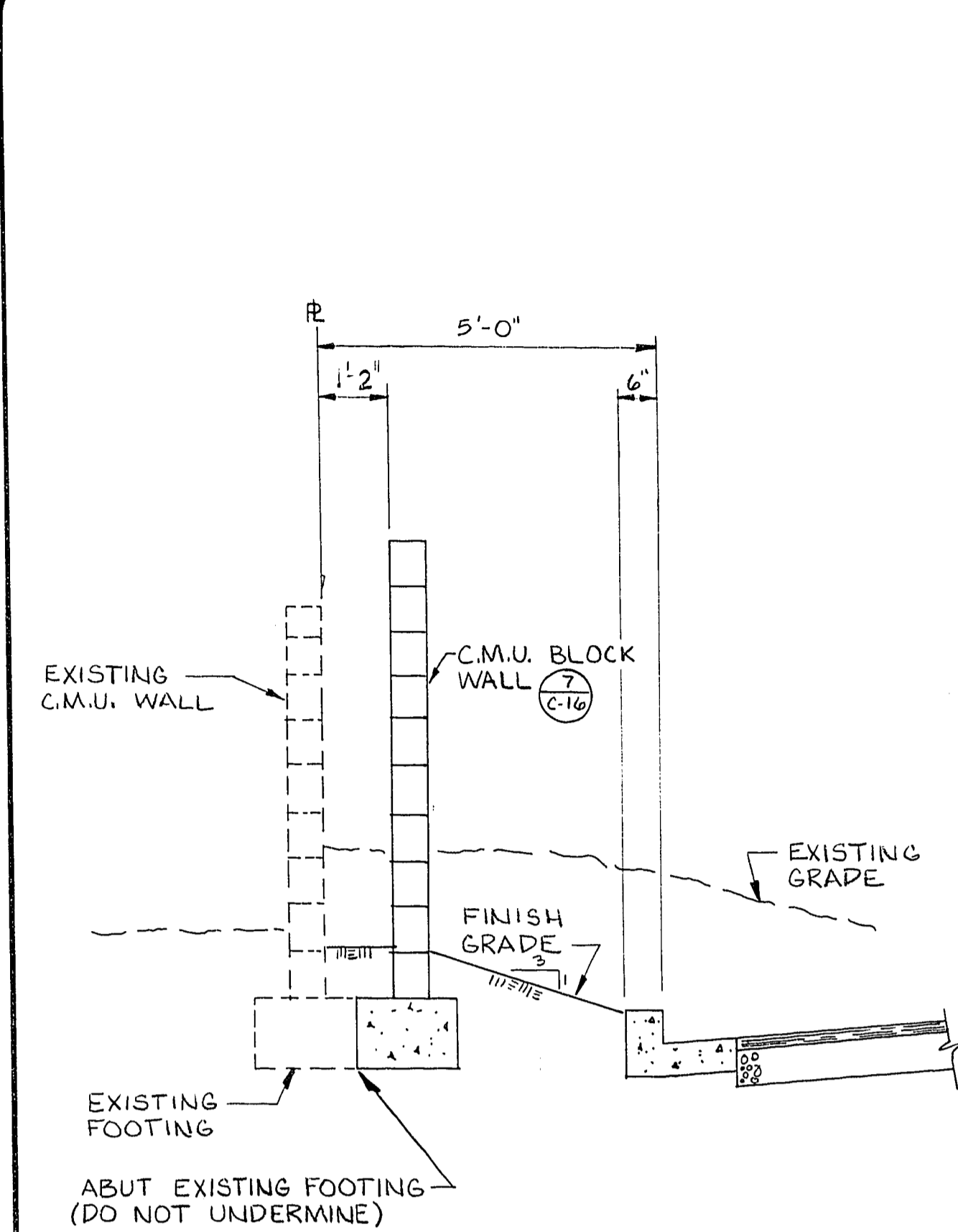
SECTION

6
C-16



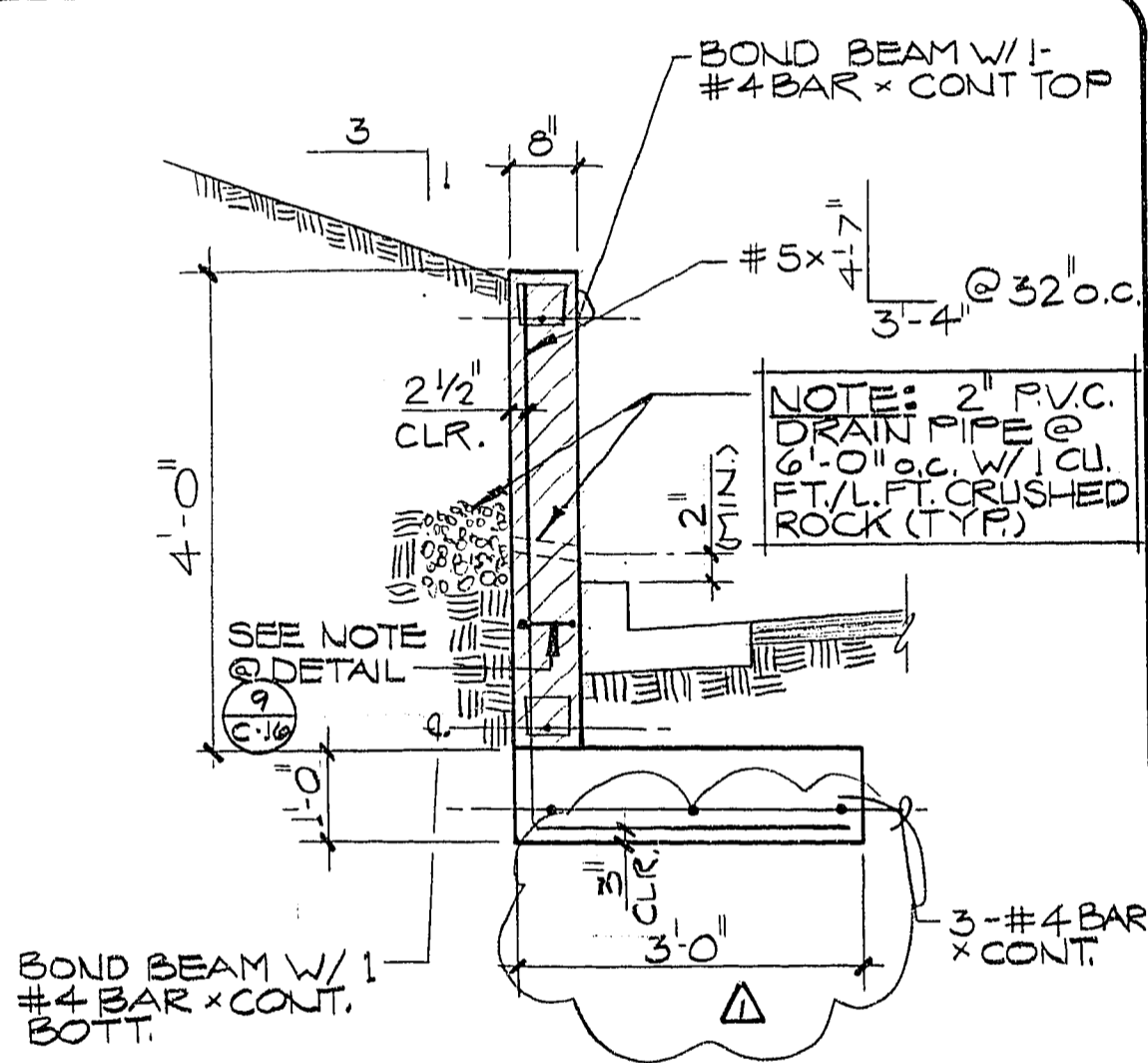
SECTION

4
C-16



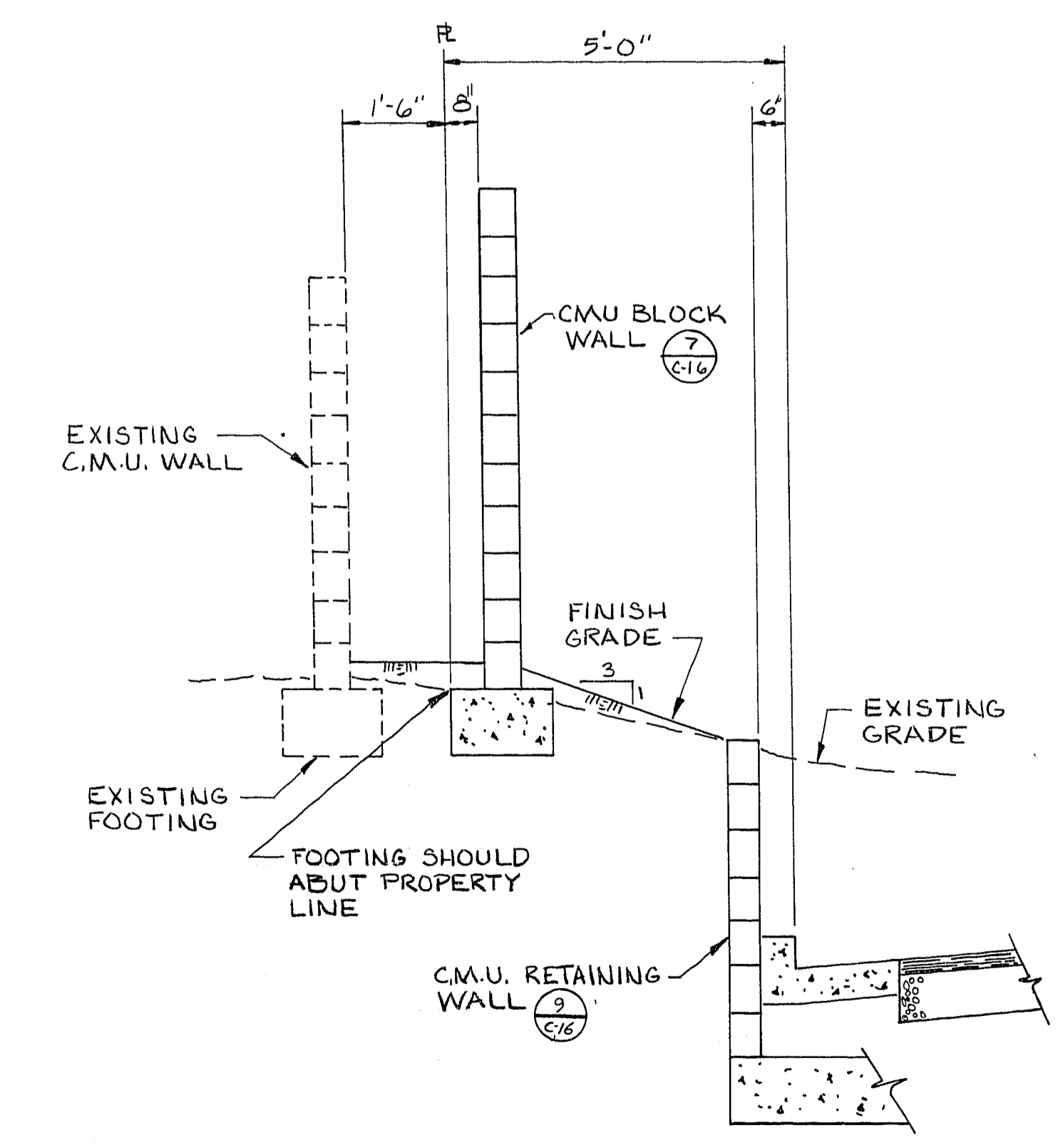
SECTION

2
C-16



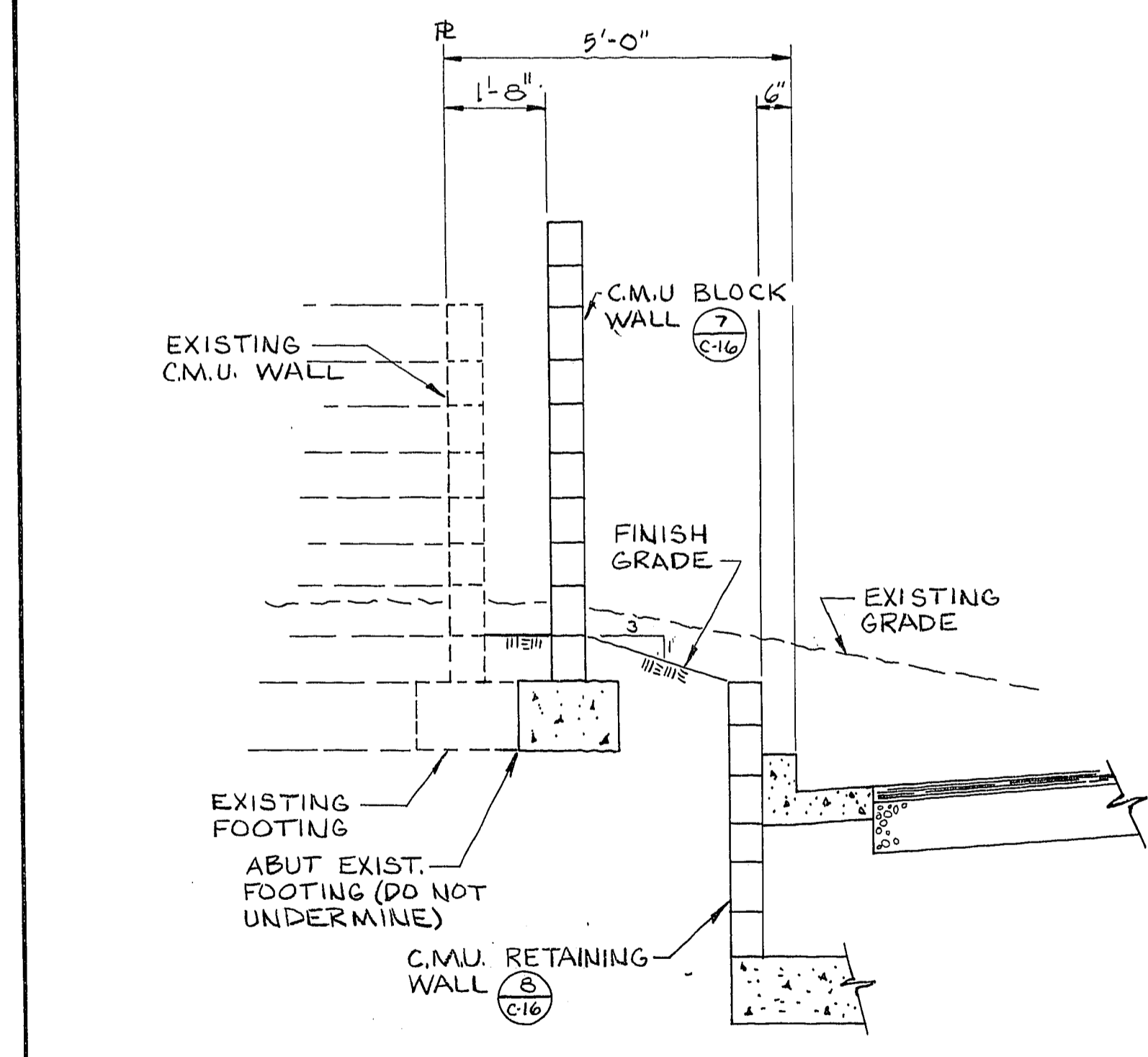
RETAINING WALL

8
C-16



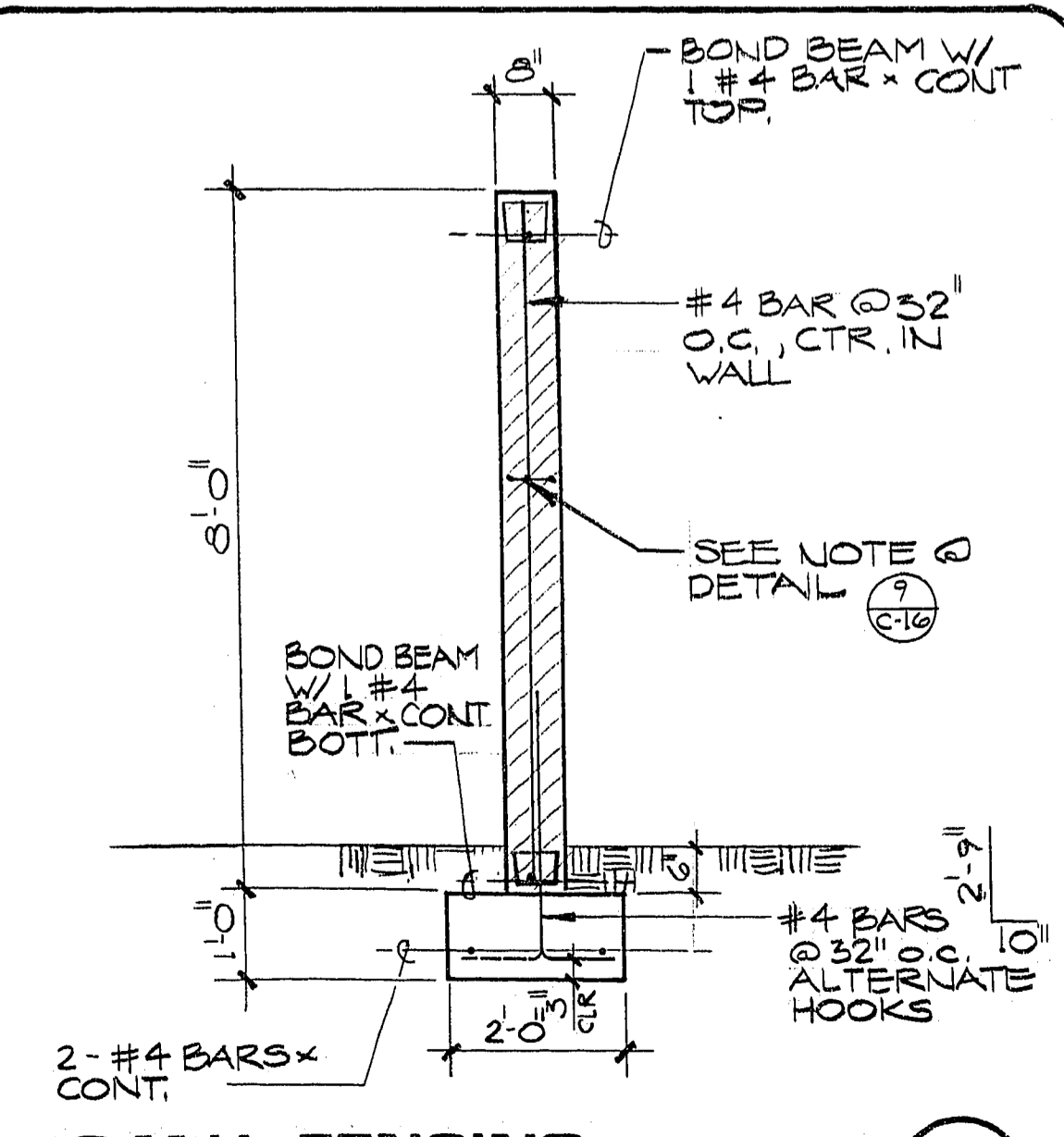
SECTION

5
C-16



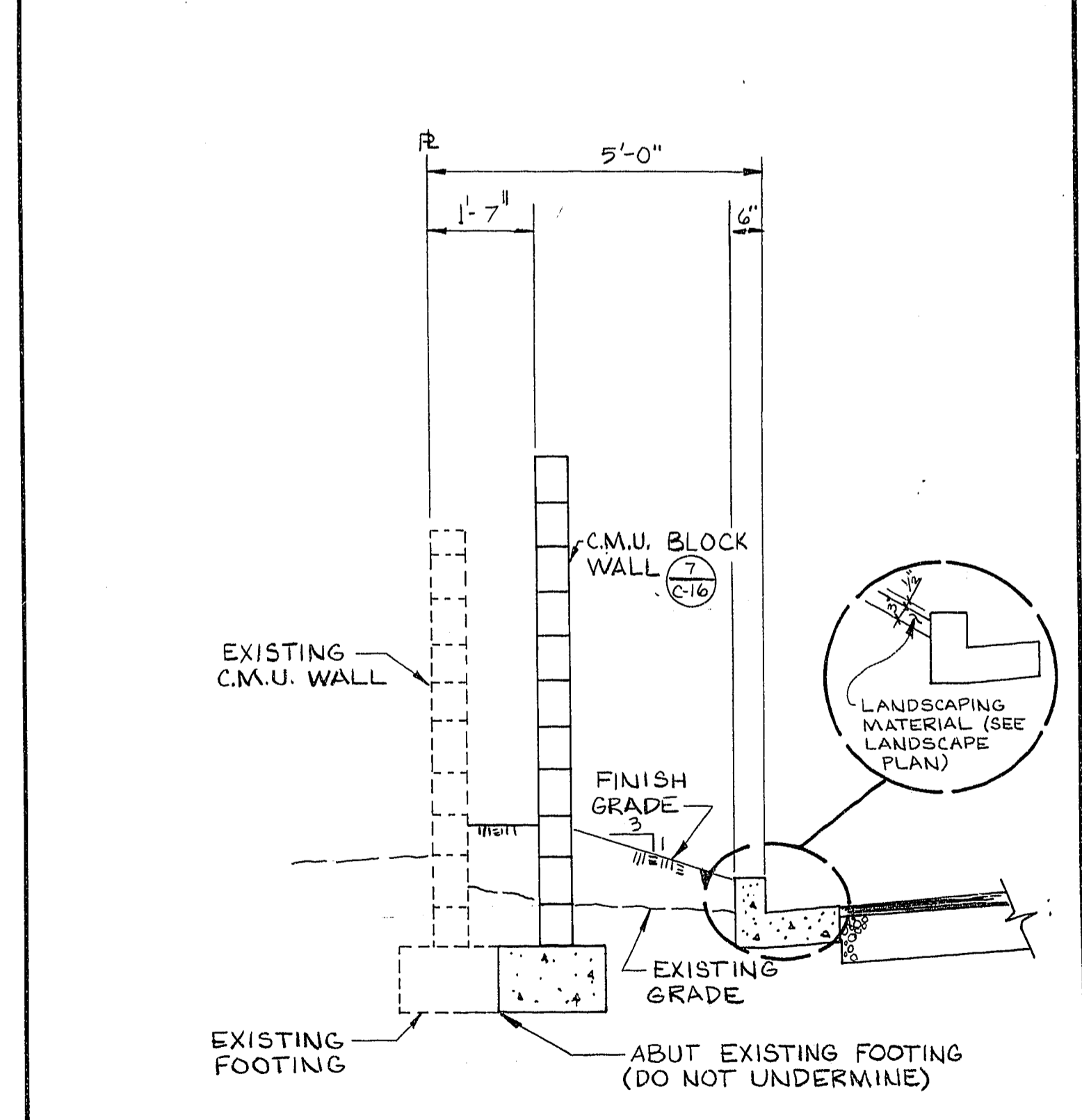
SECTION

3
C-16



C.M.U. FENCING

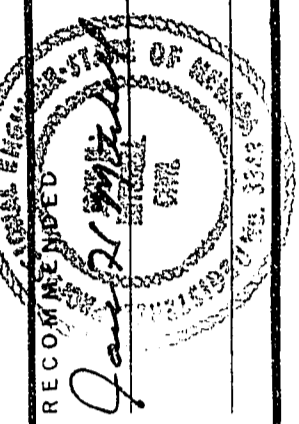
7
C-16



SECTION

1
C-16

REVISION	DATE	DESCRIPTION
1	8-21-88	REVISED DETAIL 8
2	8-22-88	DATE
3	8-22-88	DATE
4	8-22-88	DATE
5	8-22-88	DATE
6	8-22-88	DATE
7	8-22-88	DATE
8	8-22-88	DATE
9	8-22-88	DATE



RECORDED & INDEXED
 G.C. WALLACE, INC.
 Engineering/Architecture
 1535 SOUTH RAINBOW BLVD. LAS VEGAS, NEVADA 89102

DECATUR CROSSING
 DEAN A. BECK & ASSOCIATES
 DETAILS & SECTIONS

CLV CHIEF LAND DEVELOPMENT
 8-21-88 DATE

SHEET
C-16
 OF 17 SHEETS