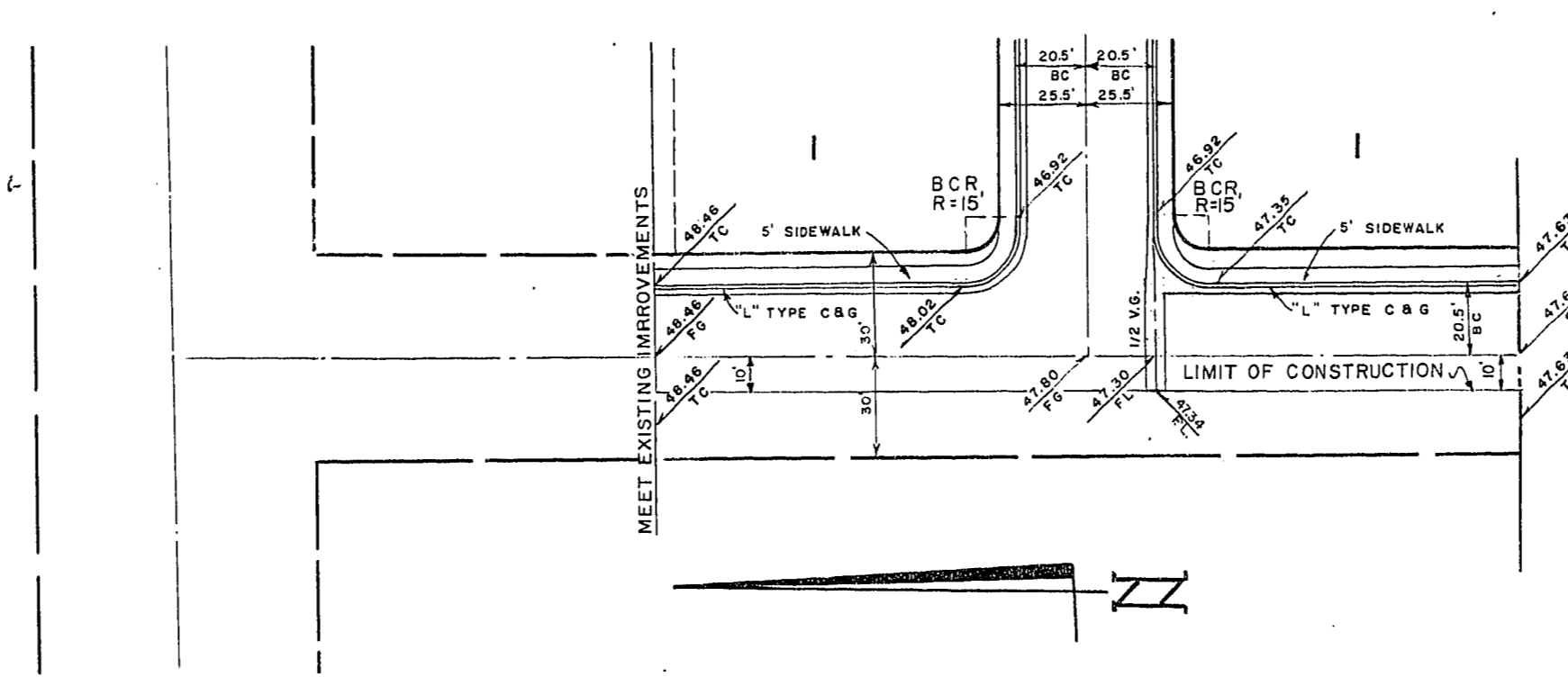
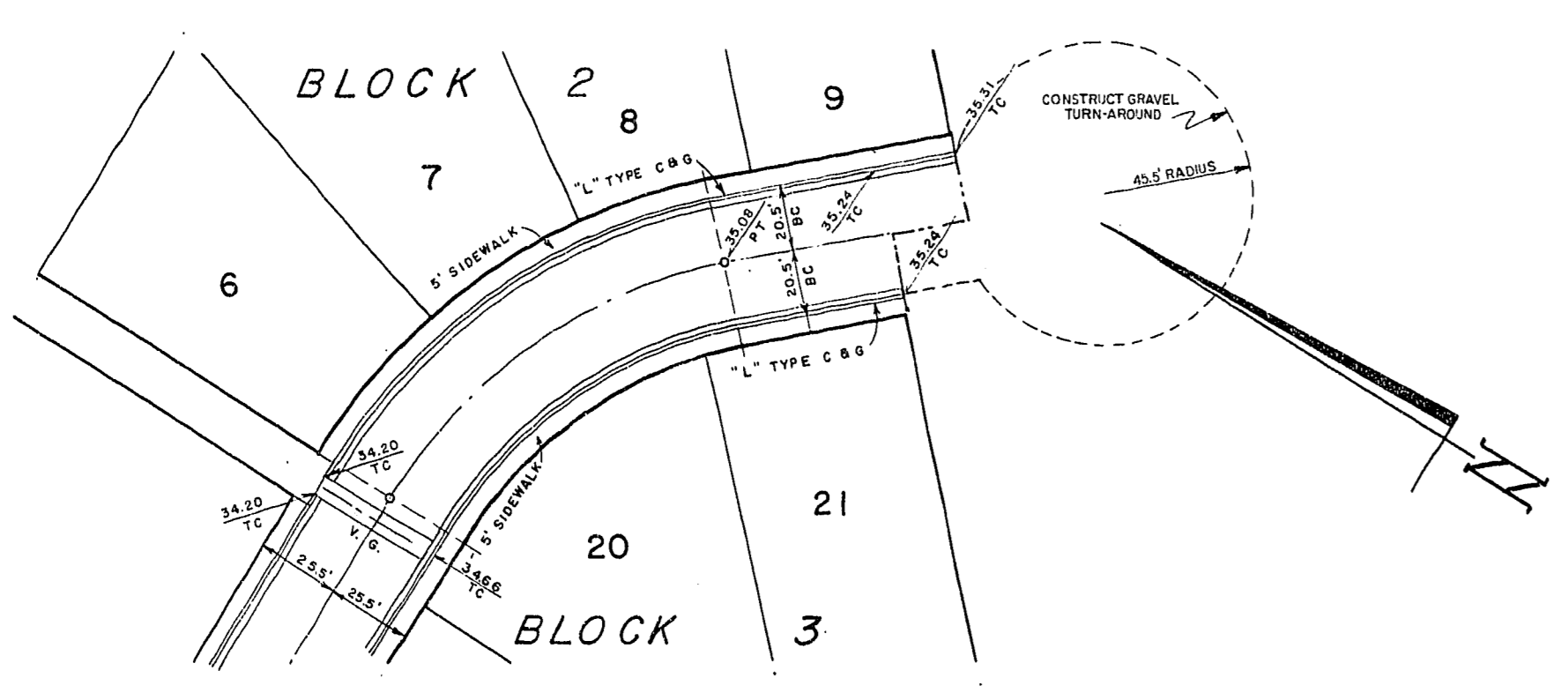
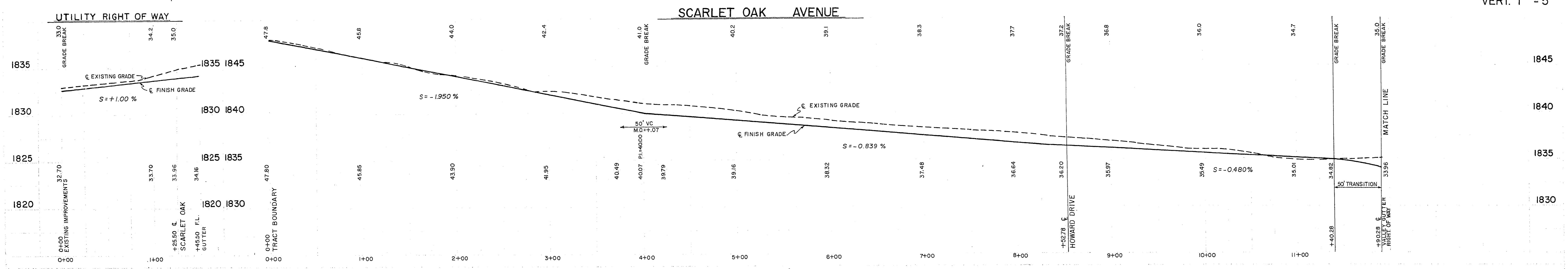
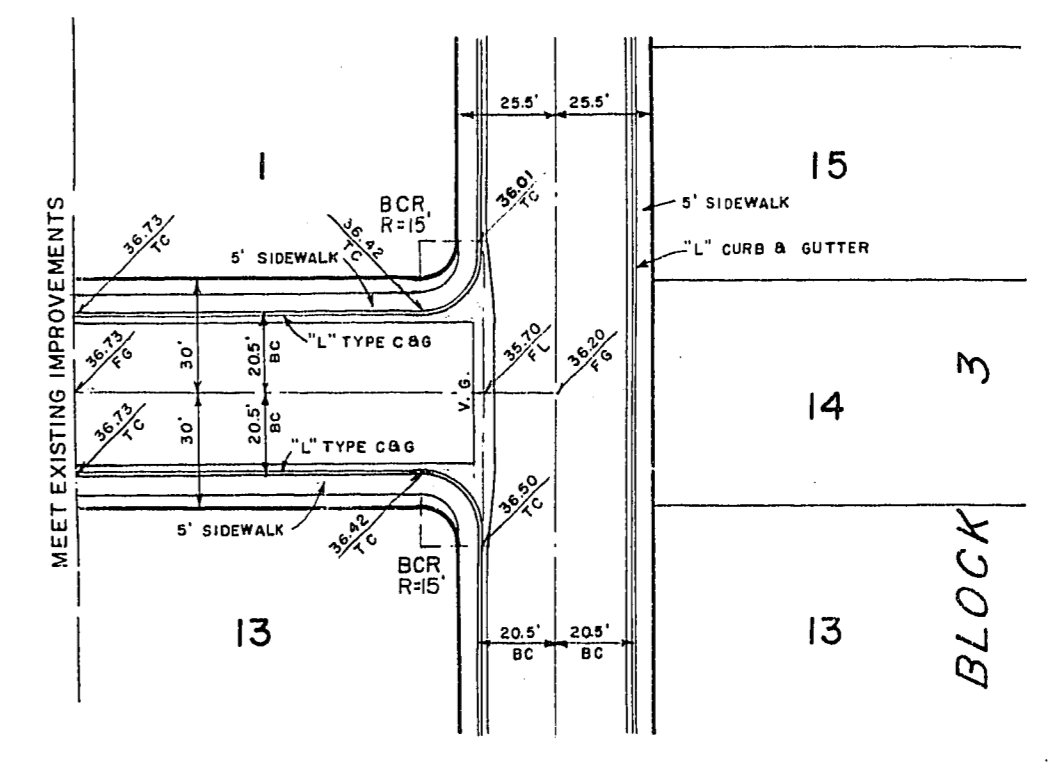


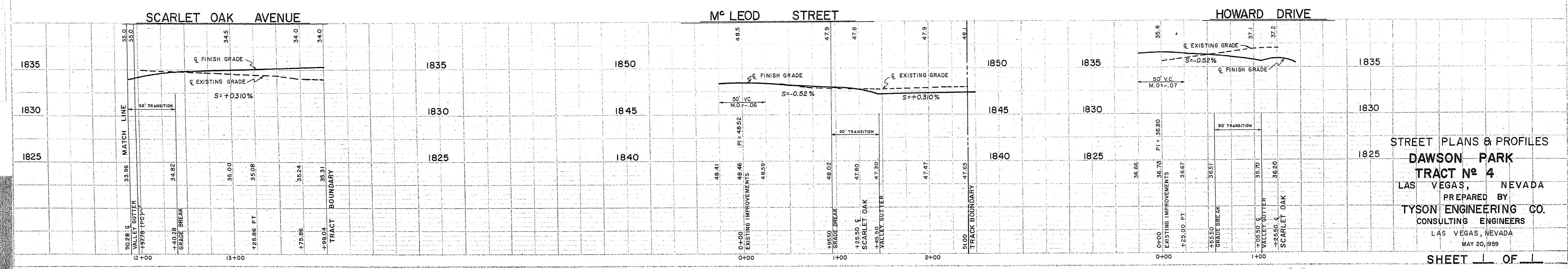
SCALE: HOR. 1" = 50'
VERT. 1" = 5'



- GENERAL NOTES**
1. ALL WORK MUST CONFORM TO CITY OF LAS VEGAS STANDARD DRAWINGS AND SPECIFICATIONS.
 2. STREET WIDTHS SHOWN ARE TO PROPERTY LINE & BACK OF CURB.
 3. ALL STREET CROWNS TO BE 0.5' UNLESS SHOWN OTHERWISE.
 4. ALL VALLEY GUTTERS TO BE GROOVED AS PER CITY OF LAS VEGAS REQUIREMENTS.
 5. B.C.R. = BACK OF CURB RADIUS
 6. V.C. = VERTICAL CURVE
 7. T.O. = TOP OF CURB
 8. V.G. = VALLEY GUTTER
 9. B.C. = BACK OF CURB
 10. F.G. = FINISH GRADE
 11. F.L. = FLOW LINE
 12. DATUM ELEVATION = 1800 C.L.V.



SCALE: HOR. 1" = 50'
VERT. 1" = 5'



STREET PLANS & PROFILES
DAWSON PARK
TRACT No 4
 LAS VEGAS, NEVADA
 PREPARED BY
TYSON ENGINEERING CO.
 CONSULTING ENGINEERS
 LAS VEGAS, NEVADA
 MAY 20, 1959
 SHEET 1 OF 1

107Y-1220-4