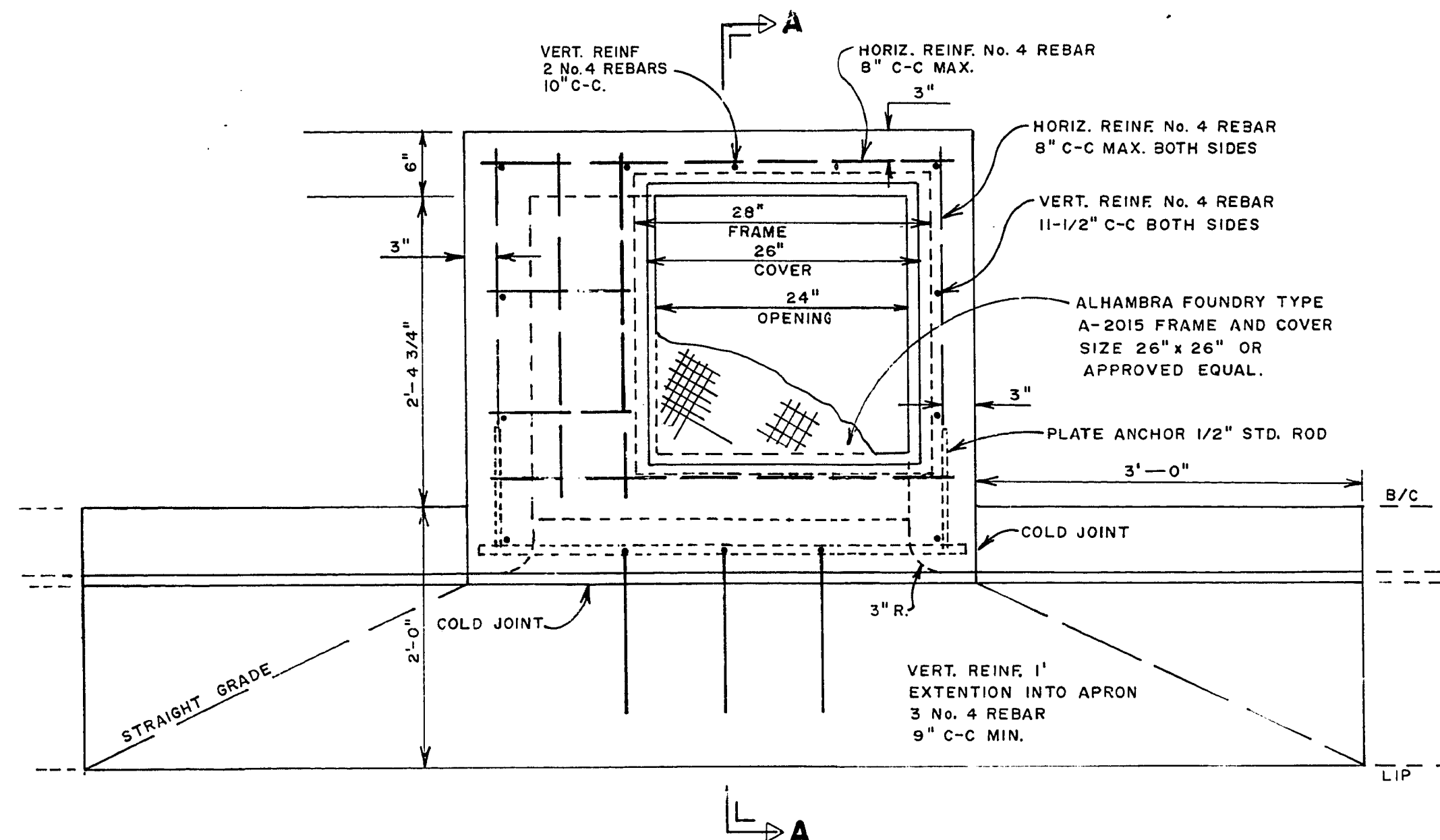


SECTION A-A

SCALE: 1"=1'-0"



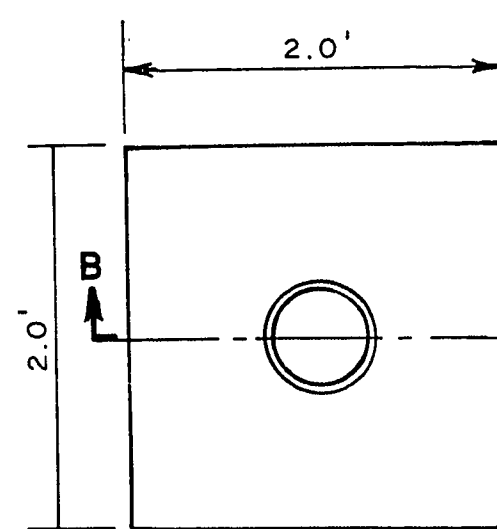
DROP INLET

PLAN VIEW

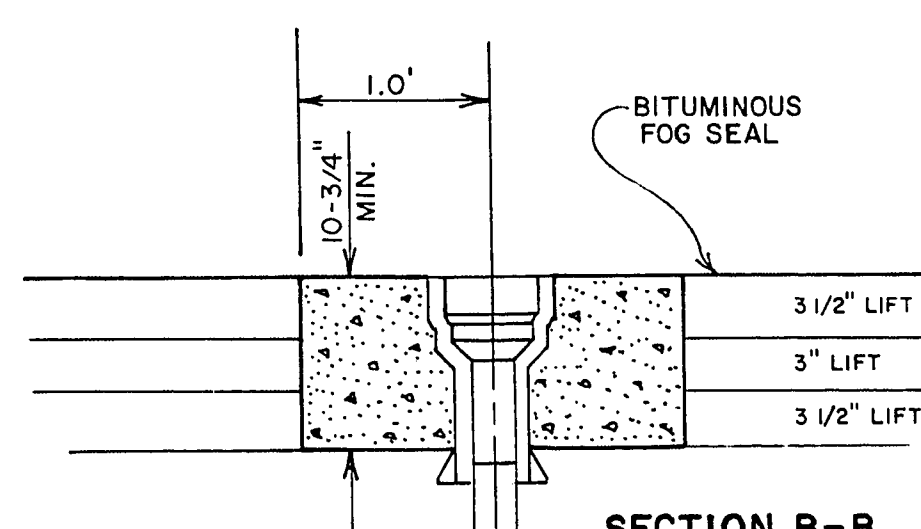
SCALE: 1"=1'-0"

DROP INLET TYPE & NUMBER	WIDTH OF OPENING	STATION
TYPE I 1	3'	3+14.0
TYPE II 2	4'	3+54.5
TYPE I 3	3'	12+88.5
TYPE II 4	4'	13+35.5
TYPE I 5	3'	16+98.5
TYPE II 6	4'	17+56.0
TYPE II 7	4'	21+96.5
TYPE I 8	3'	22+00.0
TYPE II 9	4'	25+75.5
TYPE I 10	3'	30+14.5
TYPE II 11	4'	30+60.0
TYPE II 12	4'	35+55.5
TYPE II 13	4'	2+15.5 (GASS AVE.)
TYPE I 14	3'	36+71.00

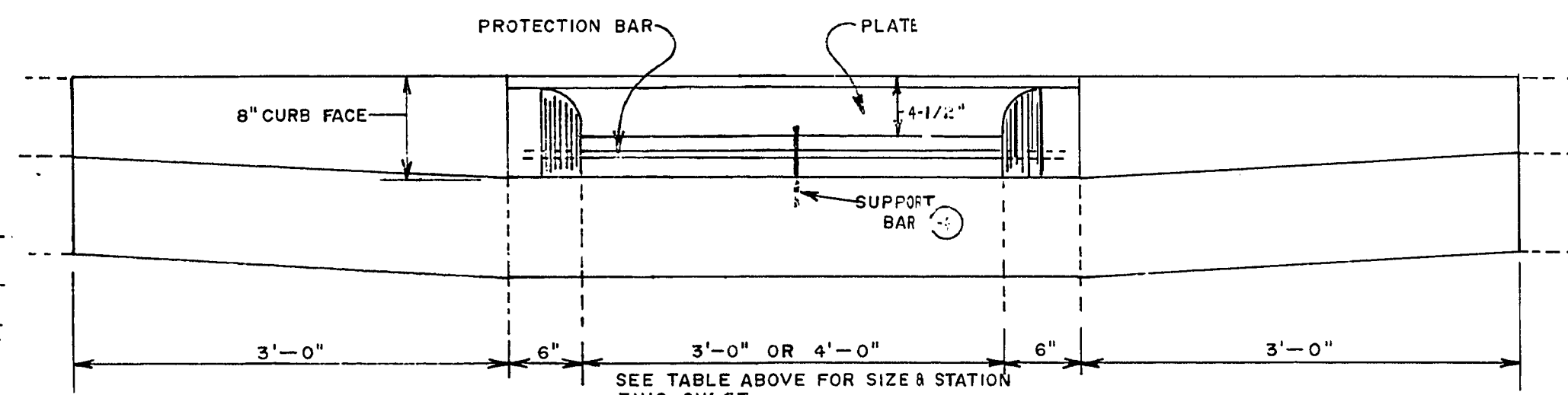
NOTE: DROP INLET WITH 3' OPENING IS TYPE I AND DROP INLET WITH 4' OPENING IS TYPE II, REQUIRING SUPPORT BAR



CONCRETE WATER VALVE COLLAR



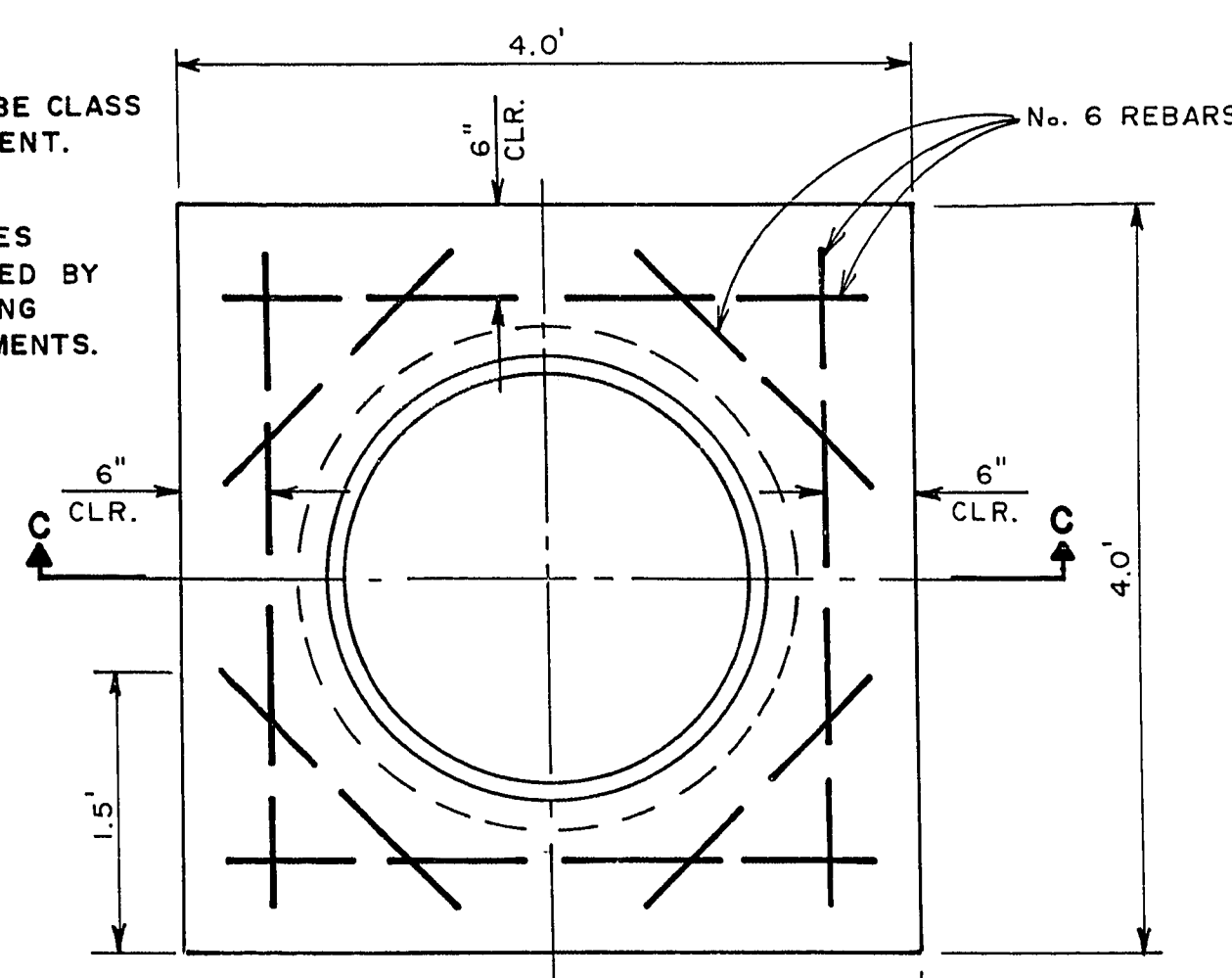
SECTION B-B



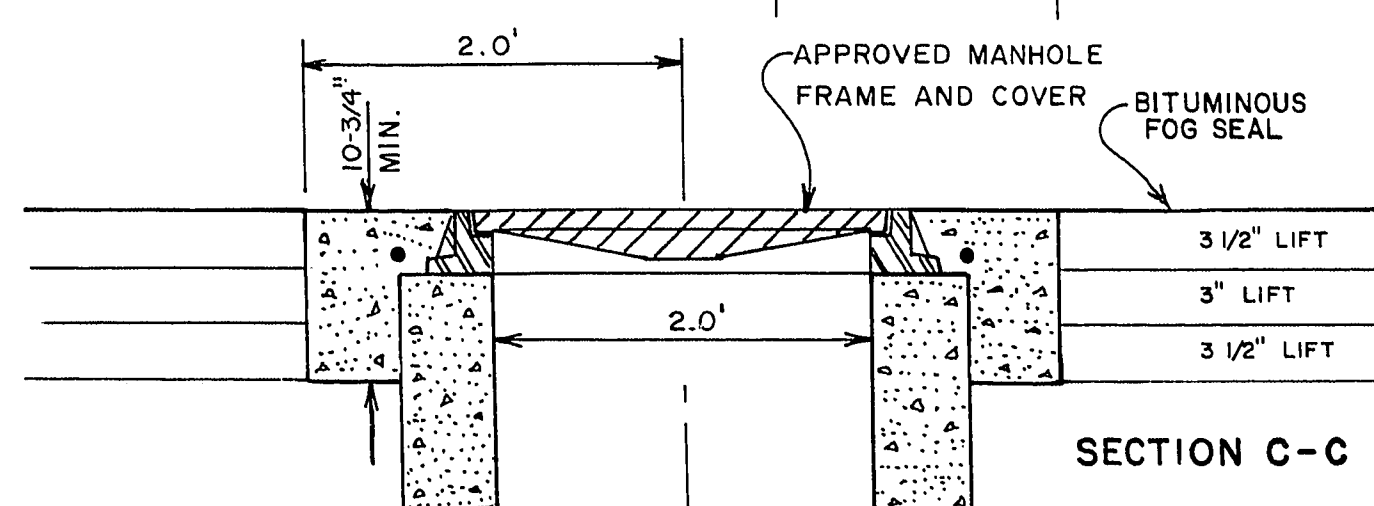
FRONT VIEW

SCALE: 1"=1'-0"

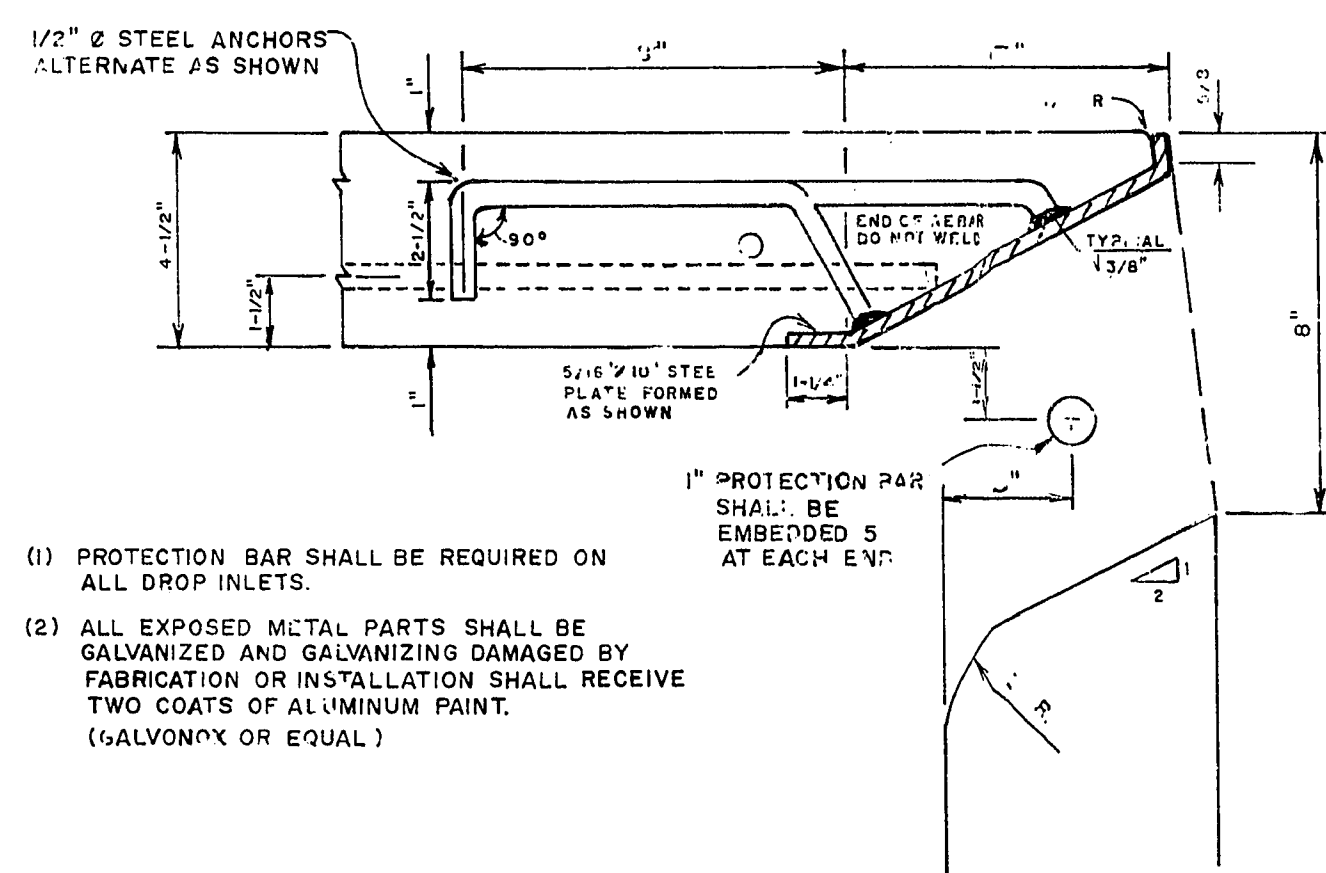
- NOTES:
1. CONCRETE SHALL BE CLASS B PORTLAND CEMENT.
 2. WATER VALVE BOXES SHALL BE ADJUSTED BY CONTRACTOR MAKING STREET IMPROVEMENTS.



CONCRETE MANHOLE COLLAR



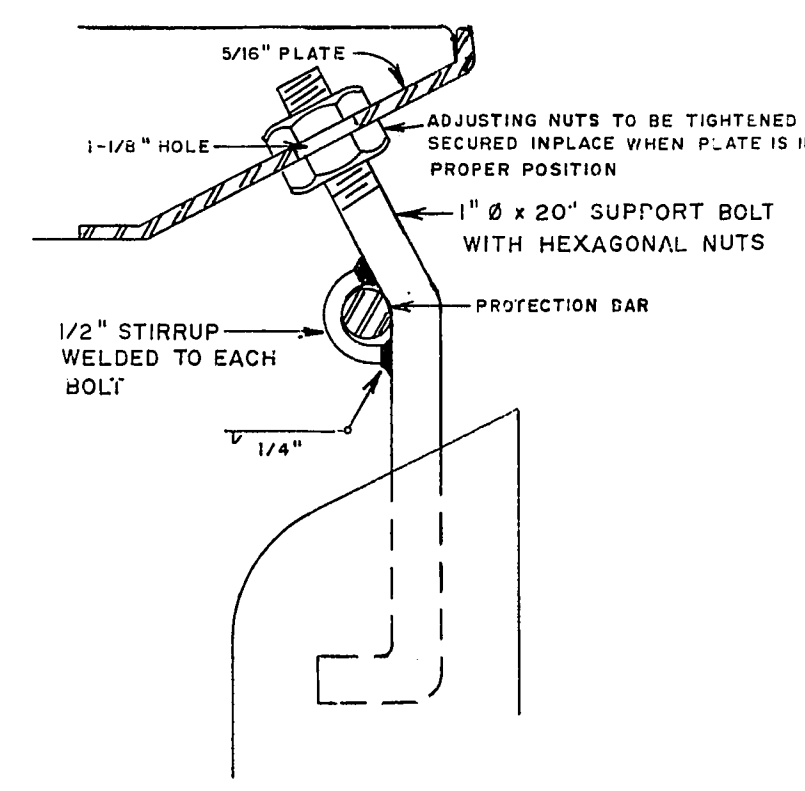
SECTION C-C



REINFORCEMENT DETAIL

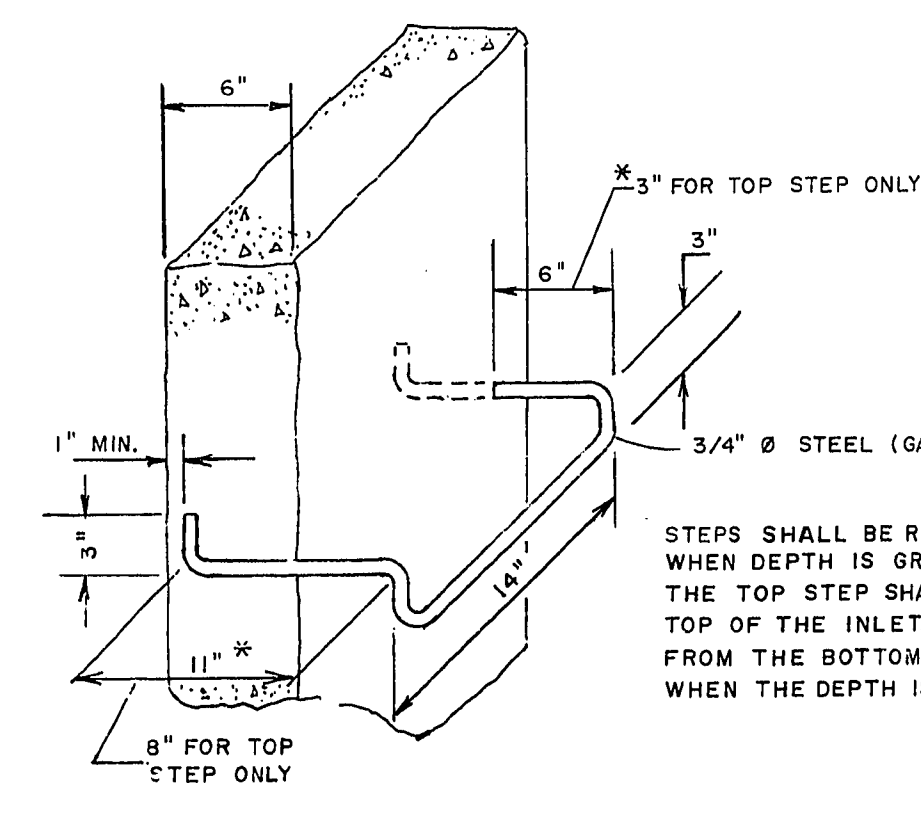
SCALE: 1"=4"

- (1) PROTECTION BAR SHALL BE REQUIRED ON ALL DROP INLETS.
- (2) ALL EXPOSED METAL PARTS SHALL BE GALVANIZED AND GALVANIZING DAMAGED BY FABRICATION OR INSTALLATION SHALL RECEIVE TWO COATS OF ALUMINUM PAINT. (SALVOMAX OR EQUAL)



SUPPORT BAR & STIRRUP DETAIL

SCALE: 1"=4"

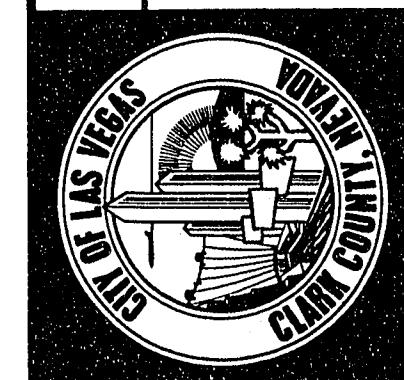


STEP DETAIL

NO SCALE

STEPS SHALL BE REQUIRED 12" APART, WHEN DEPTH IS GREATER THAN 4'-6". THE TOP STEP SHALL BE 6" BELOW THE TOP OF THE INLET. ONLY ONE STEP, 12" FROM THE BOTTOM SHALL BE REQUIRED WHEN THE DEPTH IS LESS THAN 4'-6".

Department of Public Services Engineering Design Division		WATER VALVE COLLAR, MANHOLE COLLAR & DROP INLET DETAILS	
EAST CHARLESTON BLVD. MAIN ST. TO 10th ST. PHASE I		W.O. no. 7719 Scale (V) As Shown Scale (H) As Shown Fid. bk. no. 70-5X Design by C. KRENOVI Approved by the Director of Public Services	
Drawing no. 107V-829A		Date Date Date	



Drawing no. 107V-829A

17-4-121