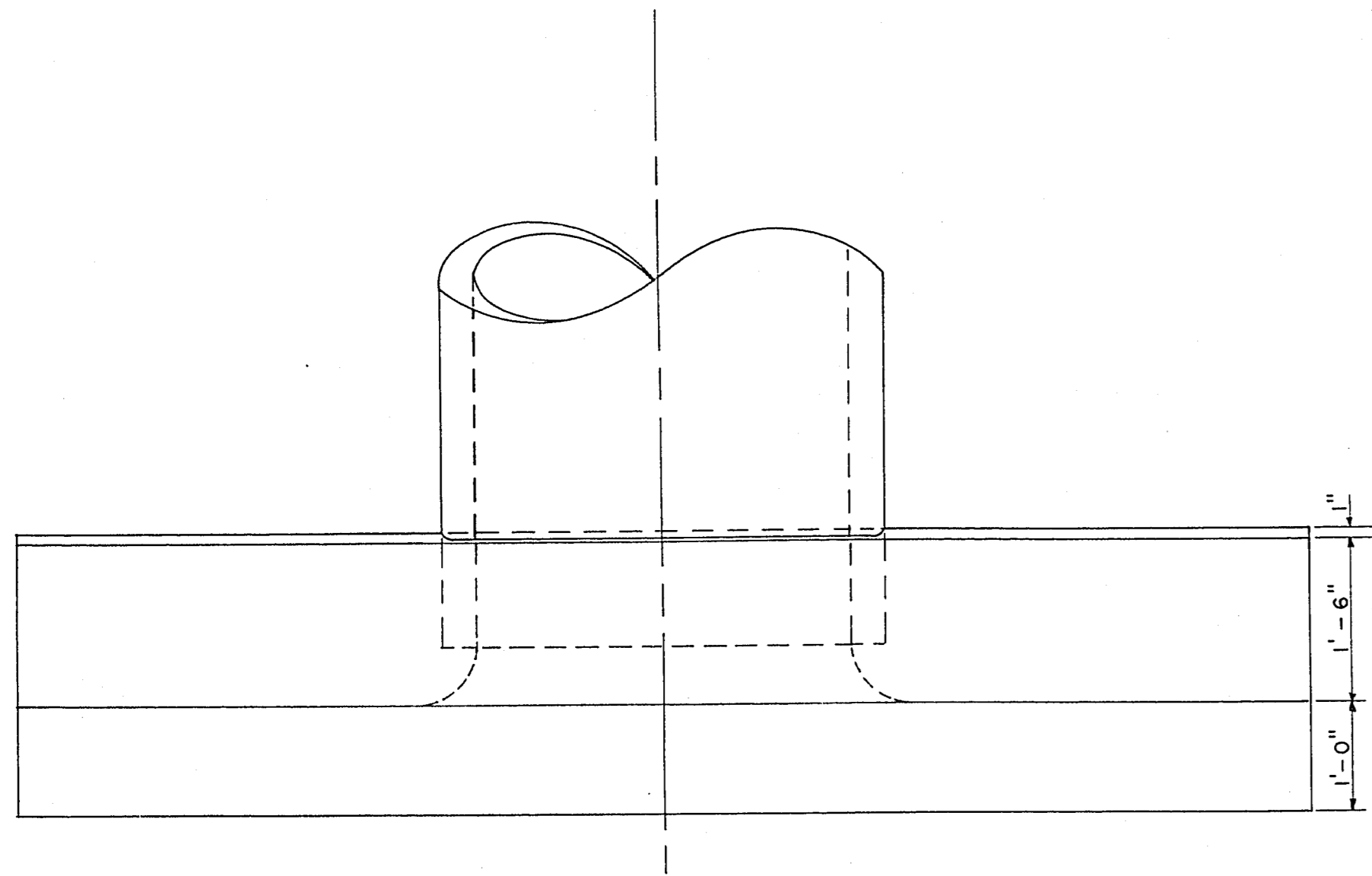


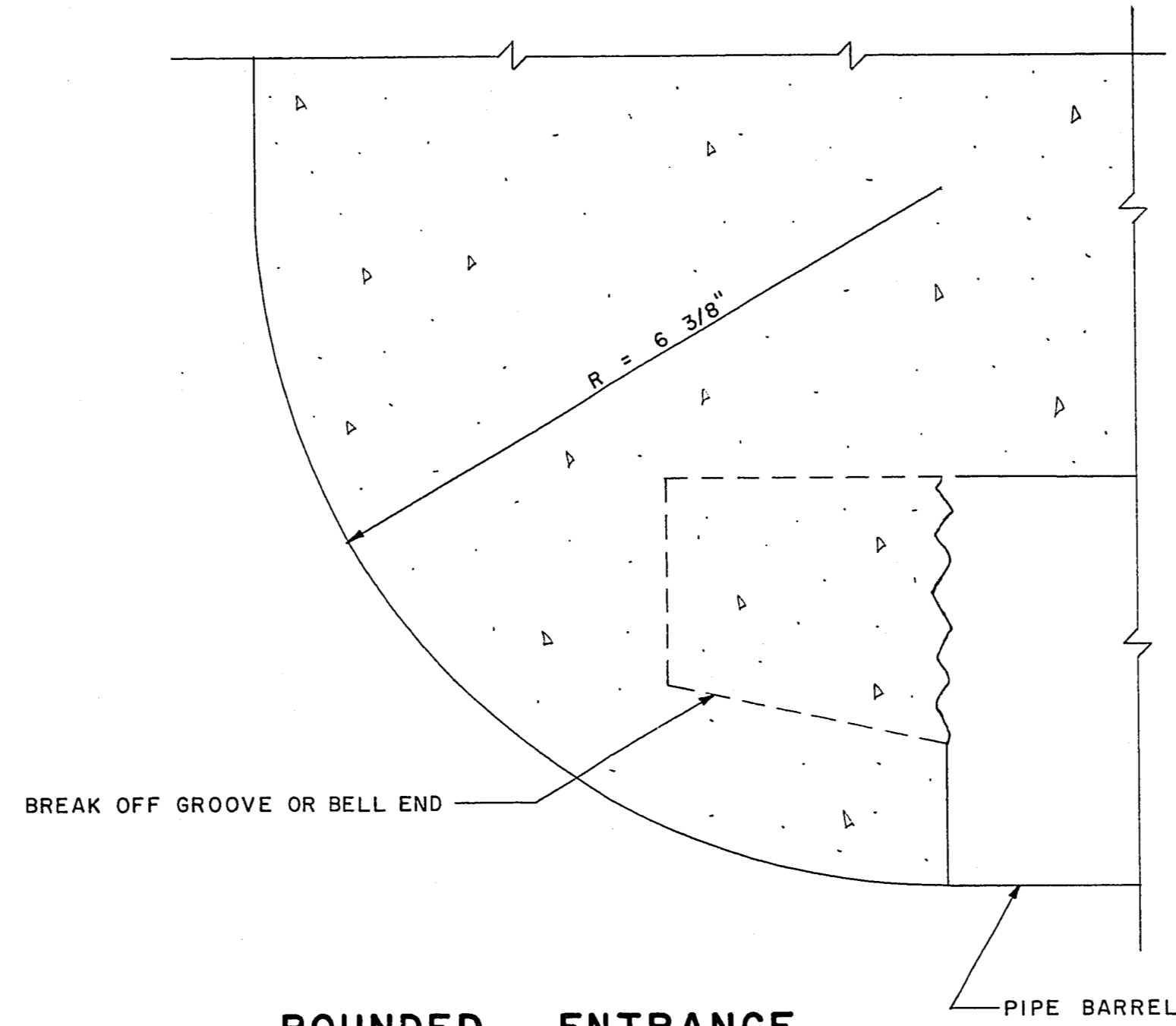
9-1-73

GRAVITY CONCRETE HEADWALL DETAIL



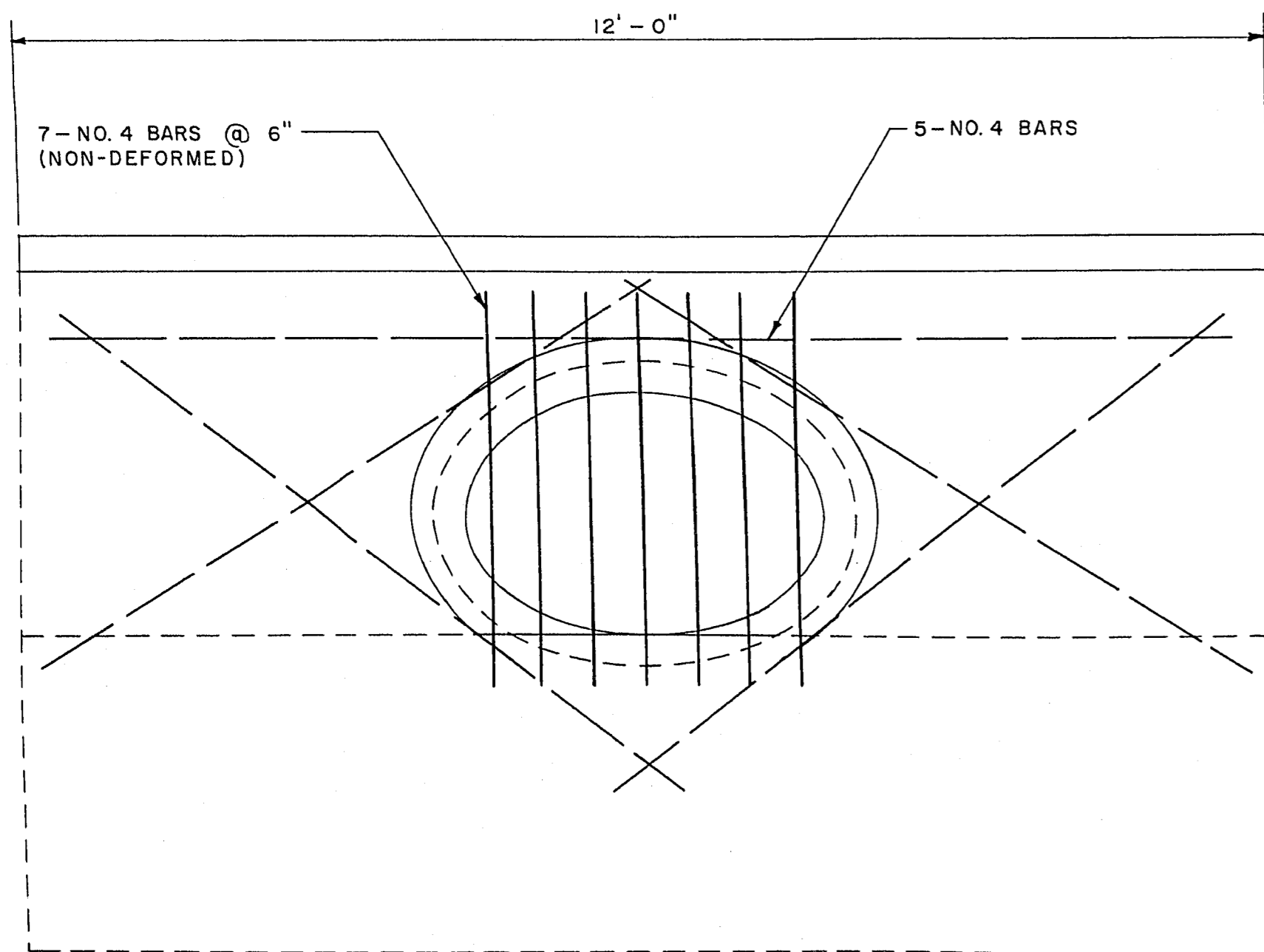
PLAN

STA. 11 + 28



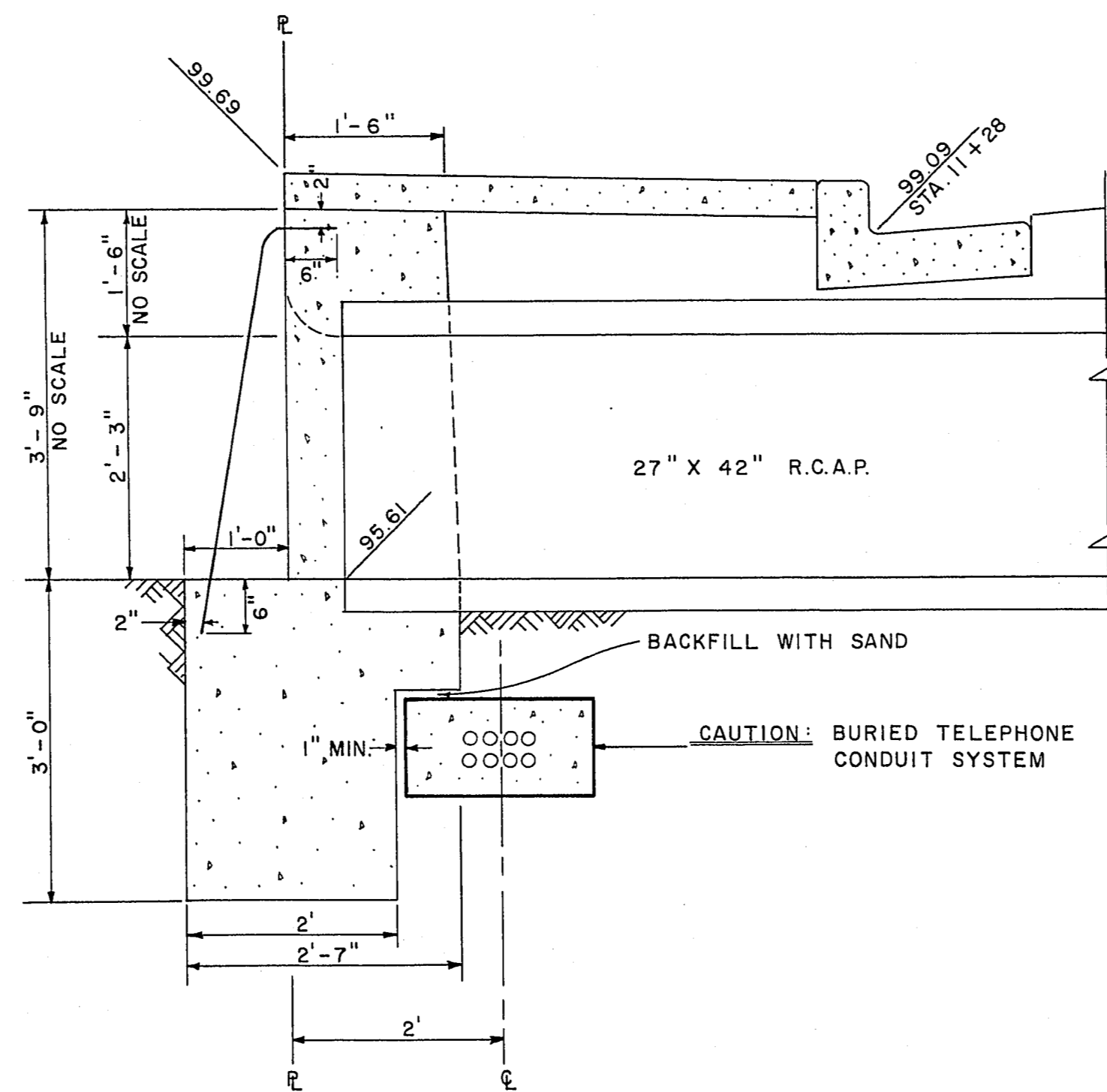
ROUNDED ENTRANCE

SCALE: 3/4" = 1"



ELEVATION

SCALE: 3/4" = 1"



SECTION

**CONTRACT
DRAWING
JUL 19 1967**

APPROVED DATE		
RT	DIV	DATE
D.P.W.		7/18/67
ENGR		7/18/67
FIELD		7/18/67
R/W		7/18/67
SERV.		7/18/67
SUBD		7/18/67
TRAF		7/18/67
UTIL		7/18/67

C.P. BRECHLER 7-10-67
 APPROVED: R.S. & H. MANAGING ENGINEER DATE

CITY OF LAS VEGAS NEVADA
 ENGINEERING DEPT.

DETAIL SHEET — HEADWALL
 DECATUR BLVD.
 AND MICHAEL WAY

SC. (H) AS SHOWN	DATE	F.B.K. NO. 65-12 X
DES. ANDERSON	6-26-67	W.O. NO. 756
DR. GODDARD	6-26-67	DRAWING NO.
CKD.		107V-717C
APPROVED BY CITY ENGR.	7/18/67	FILE NO.

R.S. & H.