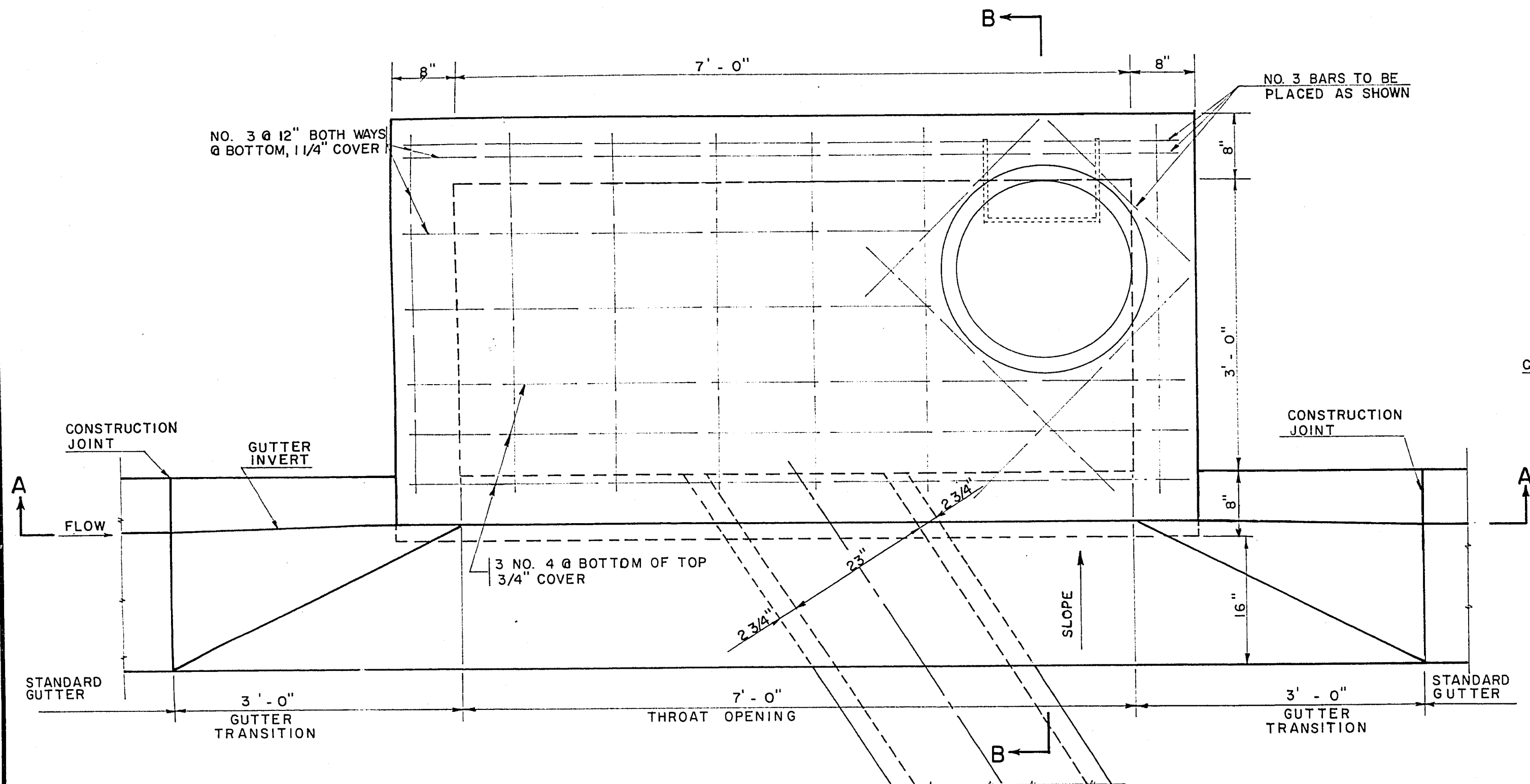
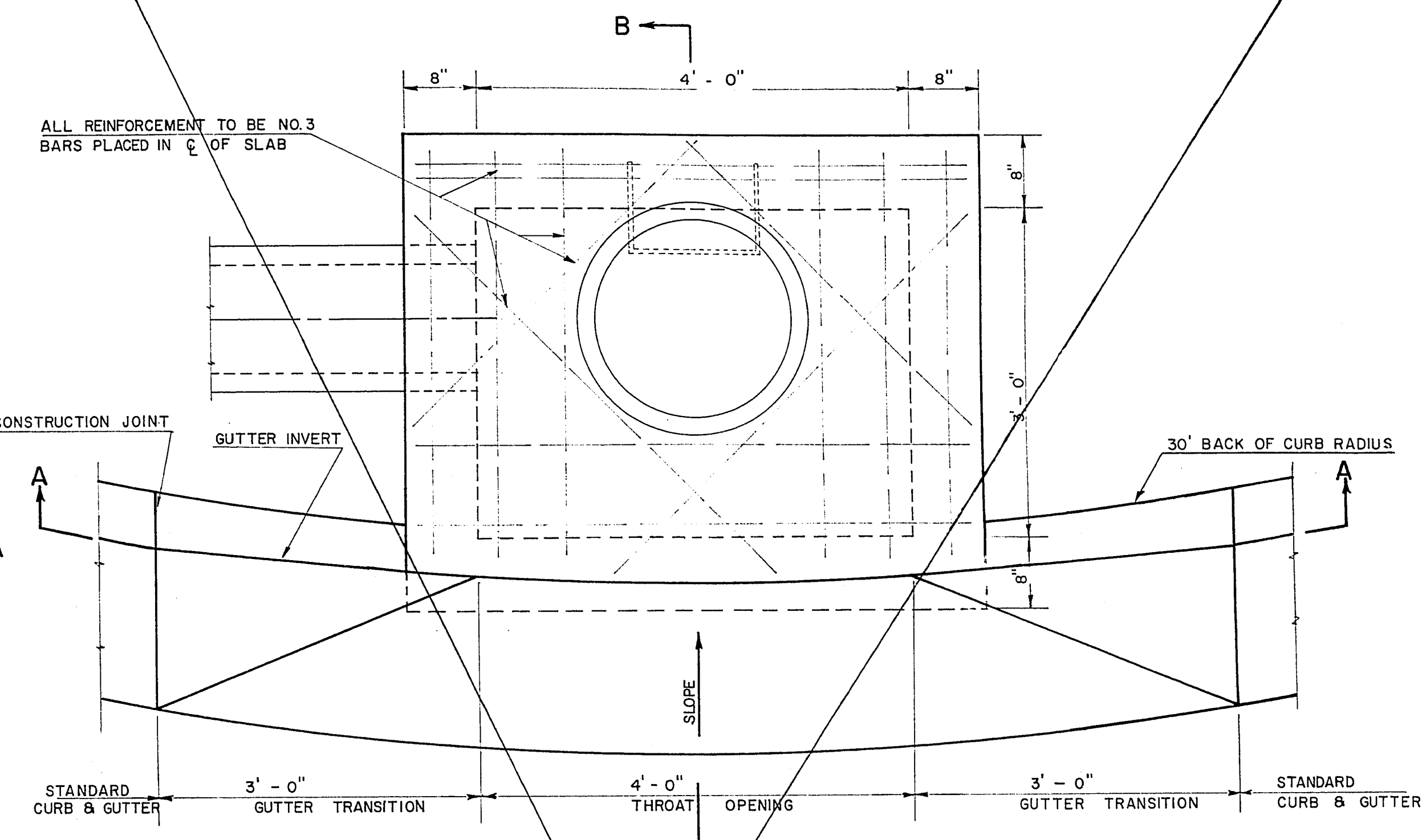


9.4-30

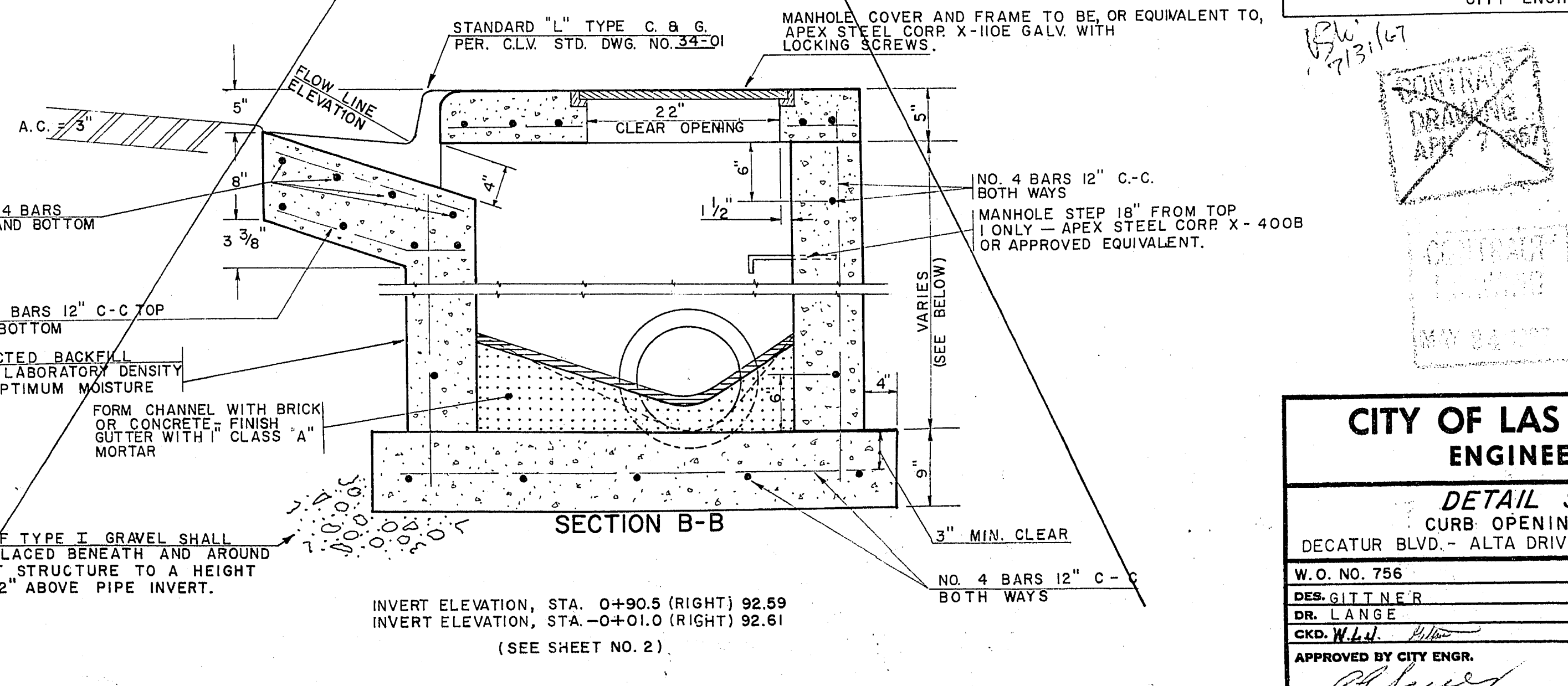
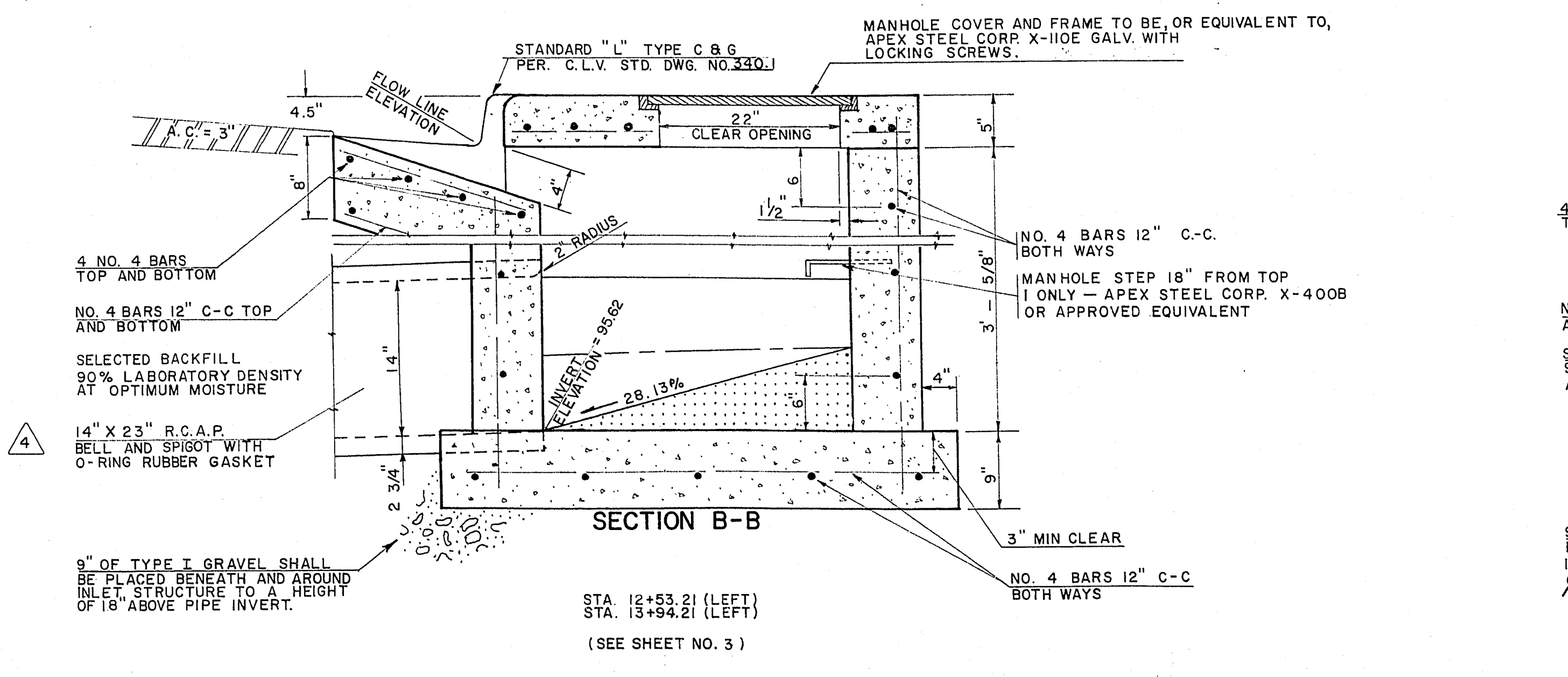
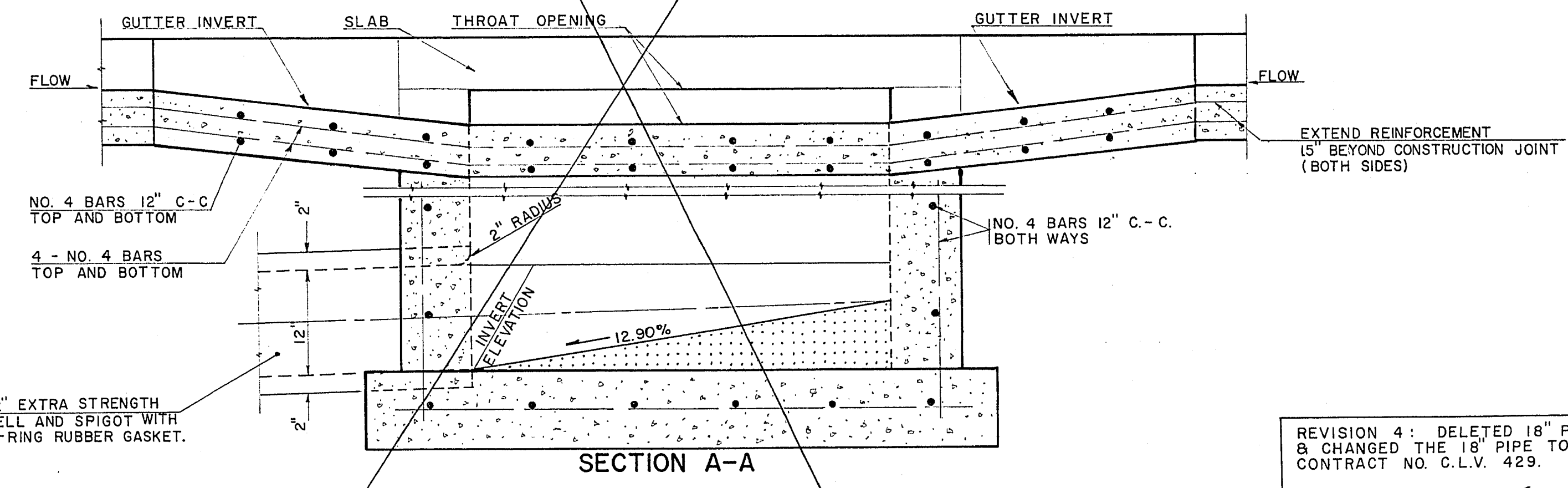
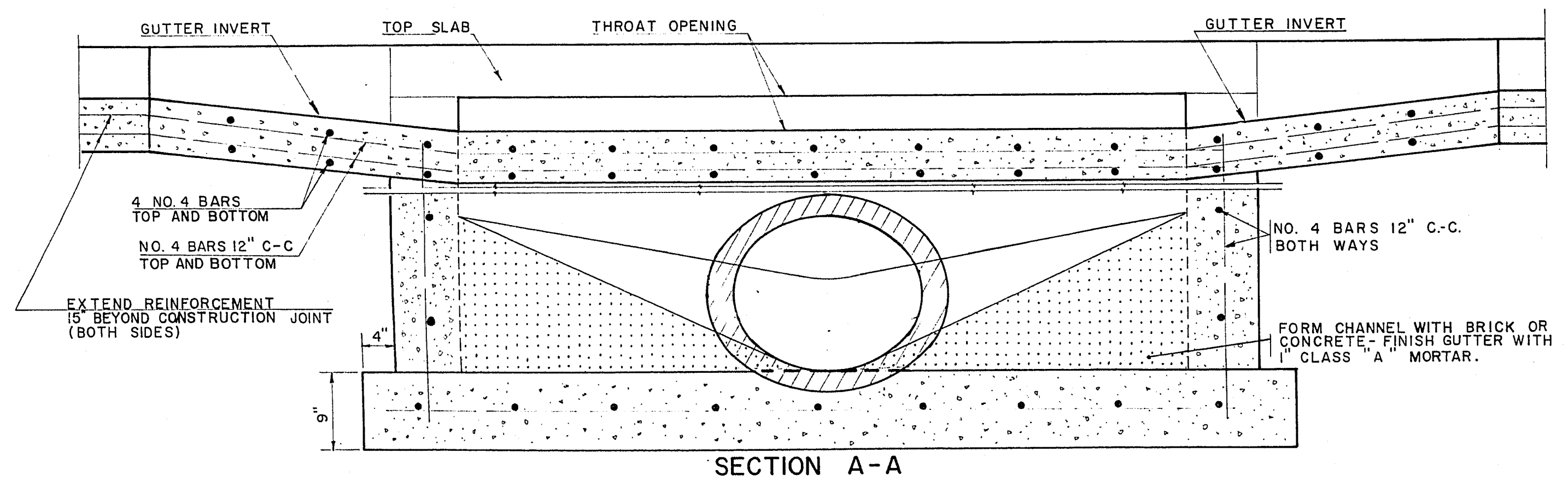
7' CURB OPENING INLET DETAIL



4' CURB OPENING INLET DETAIL



NOT PART OF THIS CONTRACT



REVISION 4: DELETED 18" PIPE FROM CONTRACT NO. C.L.V. 403 & CHANGED THE 18" PIPE TO 14" X 23" R.C.A.P. TO AGREE WITH CONTRACT NO. C.L.V. 429.

APPROVED: *[Signature]* DATE: 8/15/67
CITY ENGINEER

DATE	BY	CHKD.	APP'D.
8-17-66	W.L.L.	W.L.L.	W.L.L.
8-17-66	W.L.L.	W.L.L.	W.L.L.
8-17-66	W.L.L.	W.L.L.	W.L.L.
8-17-66	W.L.L.	W.L.L.	W.L.L.
8-17-66	W.L.L.	W.L.L.	W.L.L.

CITY OF LAS VEGAS NEVADA
ENGINEERING DEPT.

DETAIL SHEET
CURB OPENING INLET
DECATUR BLVD. - ALTA DRIVE TO WEST FREMONT

W.O. NO. 756	DATE	SC. HP NO SCALE
DES. GITTNER	8-17-66	SC. HP
DR. LANGE	8-17-66	P. BK. NO. 65-12 X
CHKD. W.L.L.		P.L.O. NO. 241
APPROVED BY CITY ENGR.		DRAWING NO.
<i>[Signature]</i>	3-6-67	107V-717B

SHEET 7 OF 15