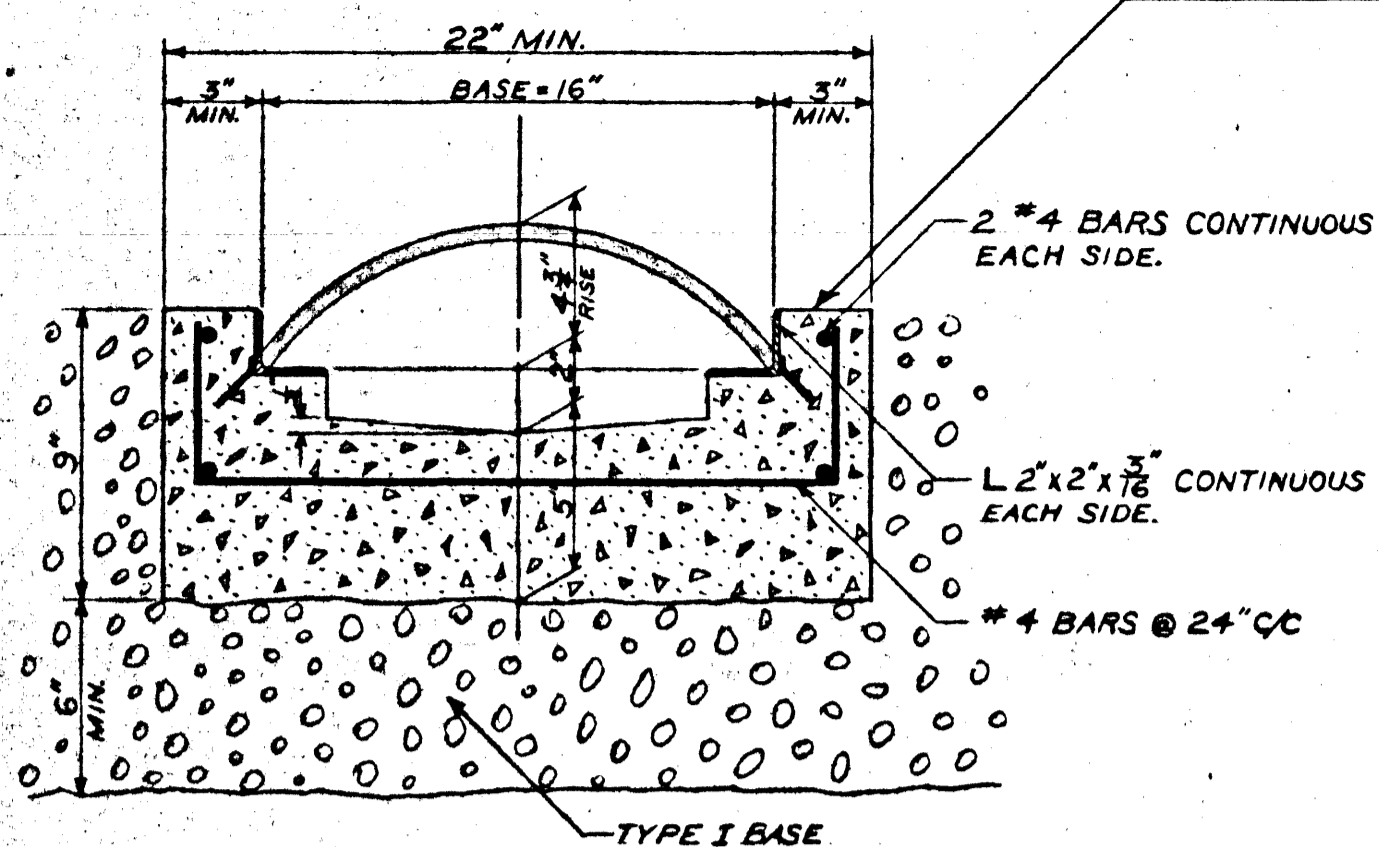
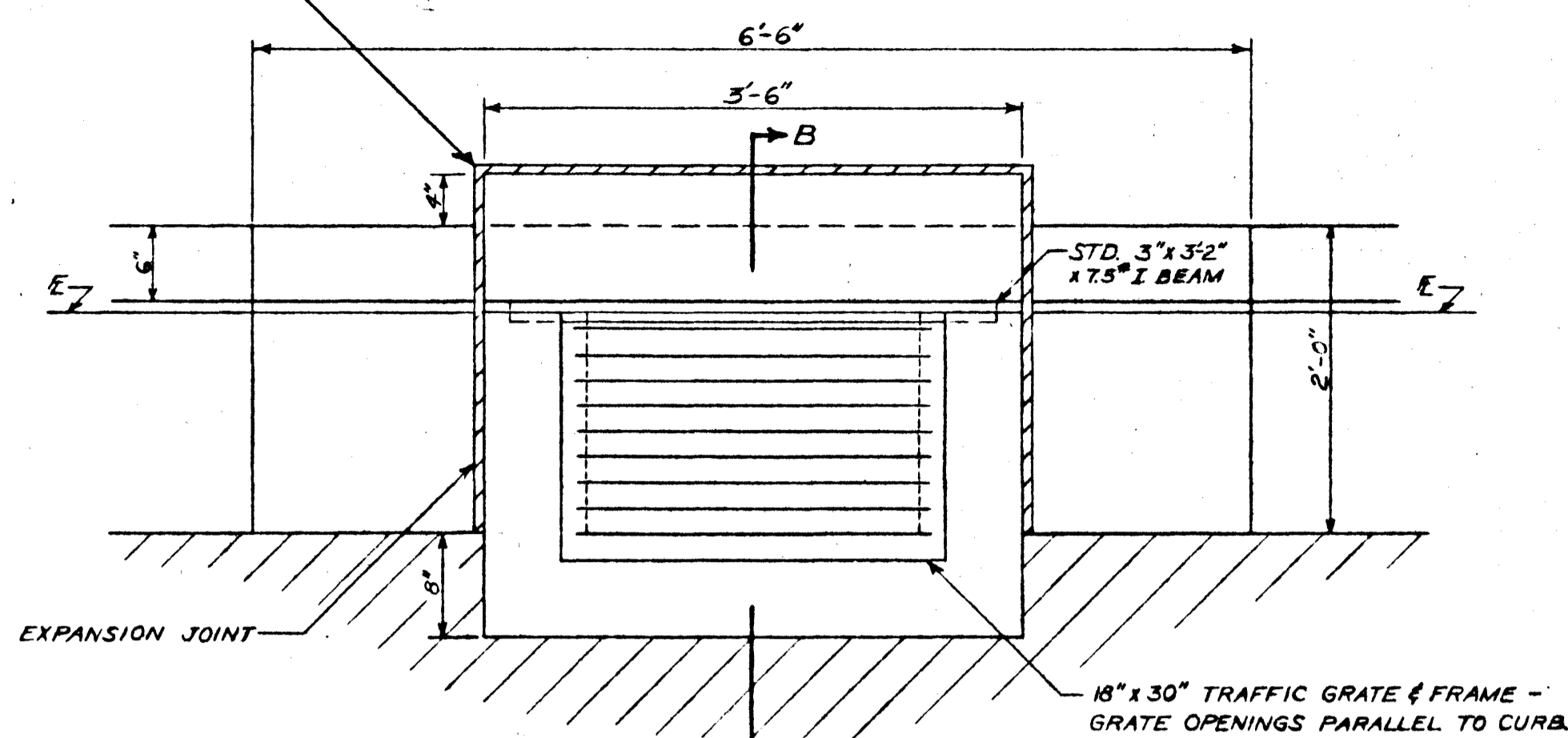


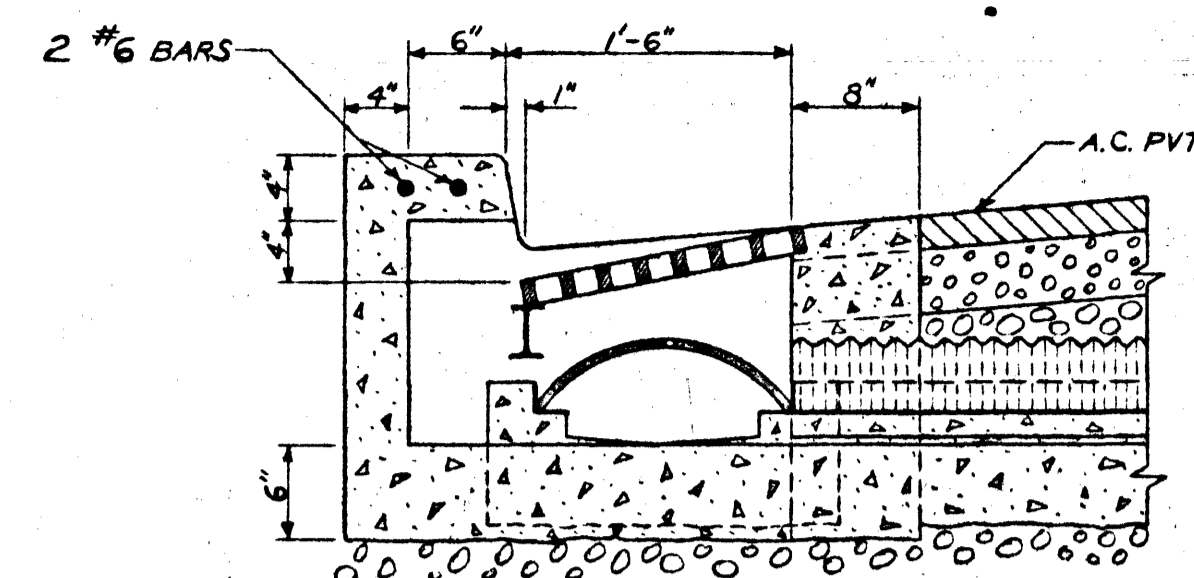
SEE STREET PLAN FOR PART-CIRCLE DRAIN LOCATION.



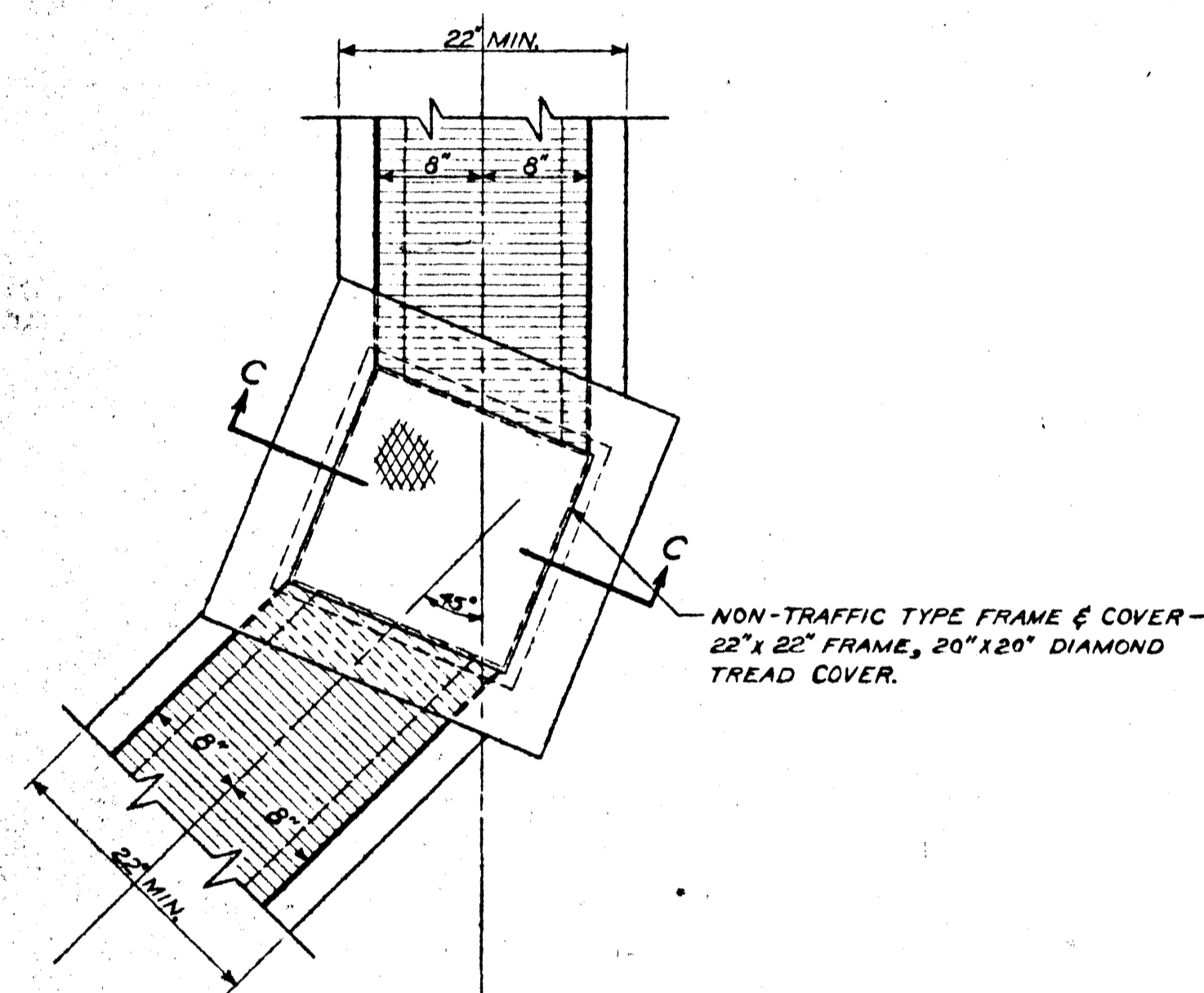
SECTION A-A
SCALE 1" = 6"



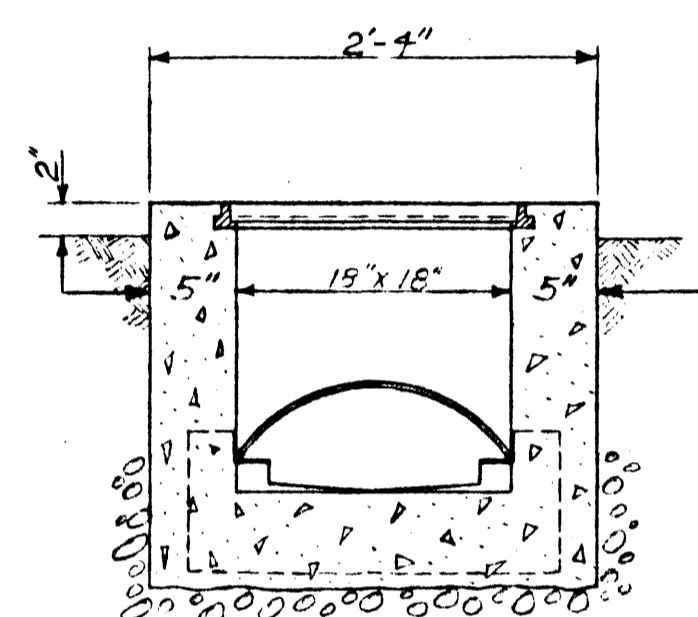
DETAIL "B"



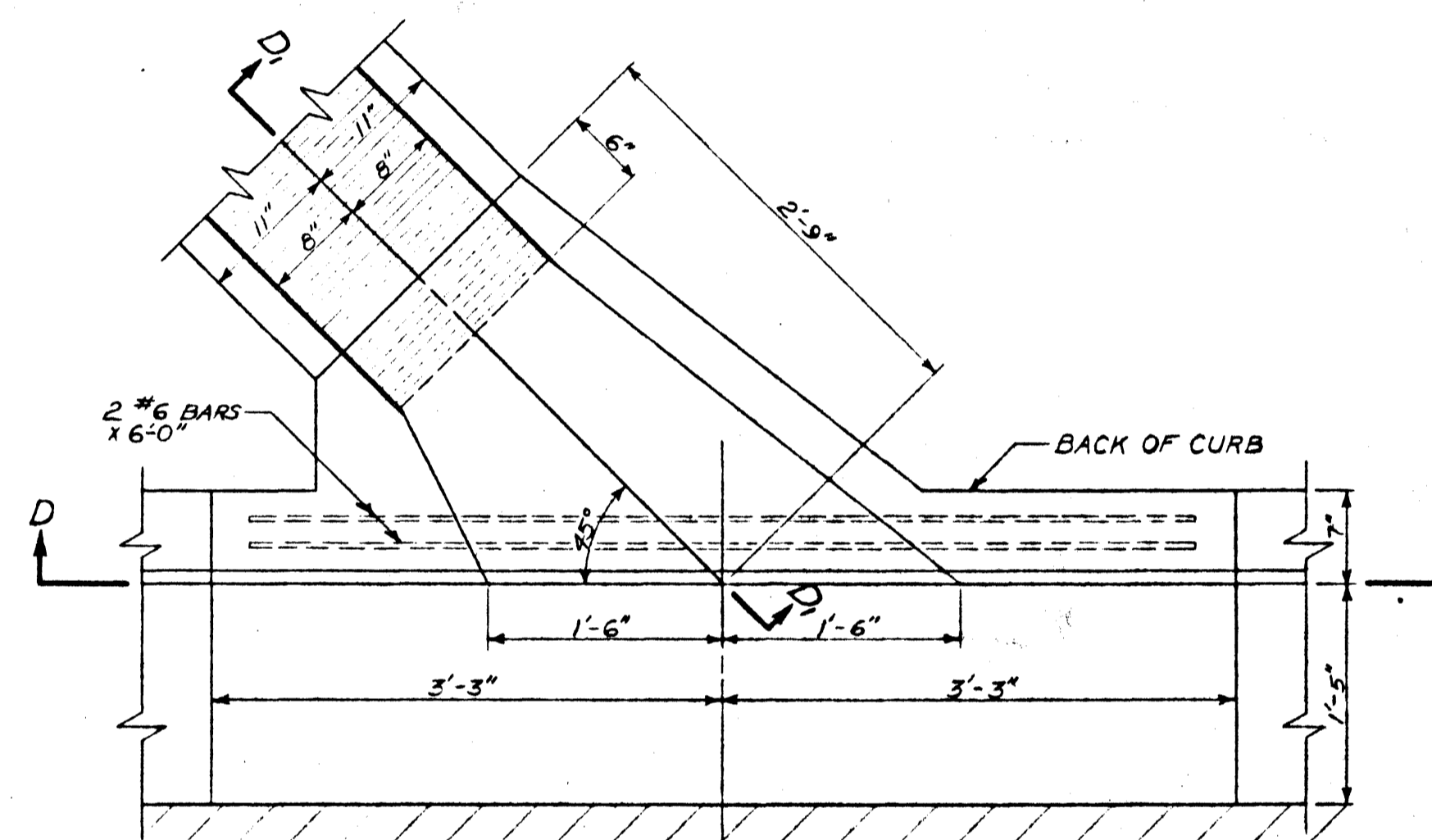
SECTION B-B



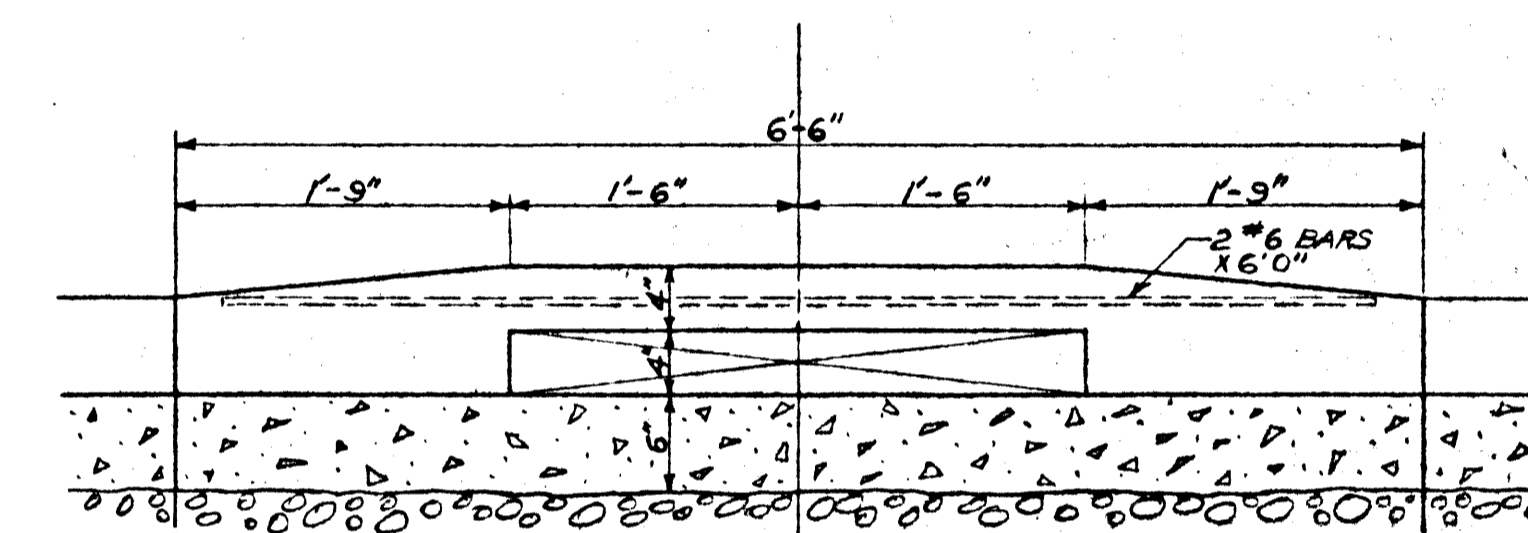
DETAIL "C"



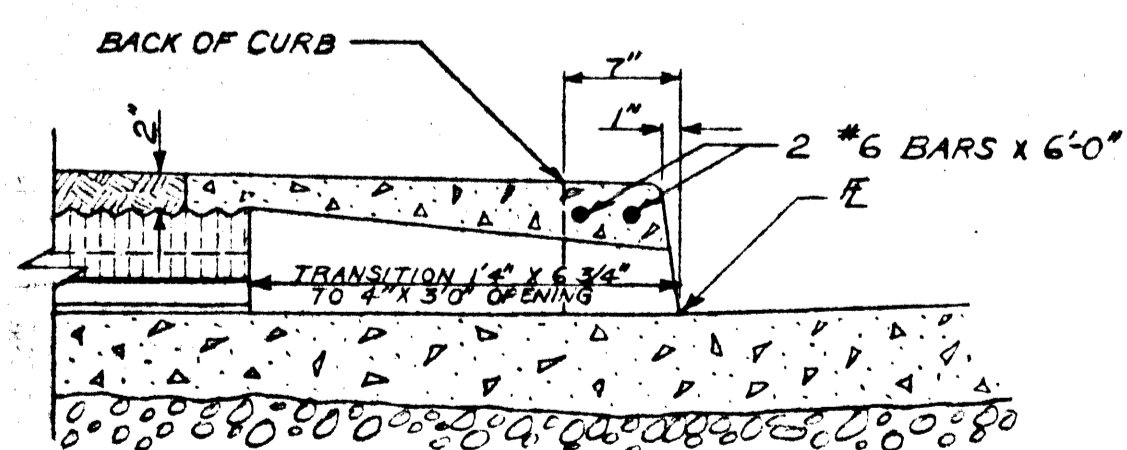
SECTION C-C



DETAIL "D"



SECTION D-D



SECTION D-D

DATE	SEP 15 1964	DATE	
NO.	5	NO.	4

CONTRACT
DRAWING
SEP 21 1964

CITY OF LAS VEGAS NEVADA ENGINEERING DEPT.			
DETAILS OF PART CIRCLE DRAINS SOUTH SECOND STREET GASS AVE. TO CLARK AVE.			
T.W.O. No. 701	DATE	SC. 1" = 1' OR AS NOTED	
DR. W. D. ZEISLER	6-9-64	SC. (V)	
CKD. [Signature]	9/14/64	F.B.K. NO.	
APPROVED BY CITY ENGR.		P.J.O. NO.	
[Signature]		DRAWING NO.	107 V. 589