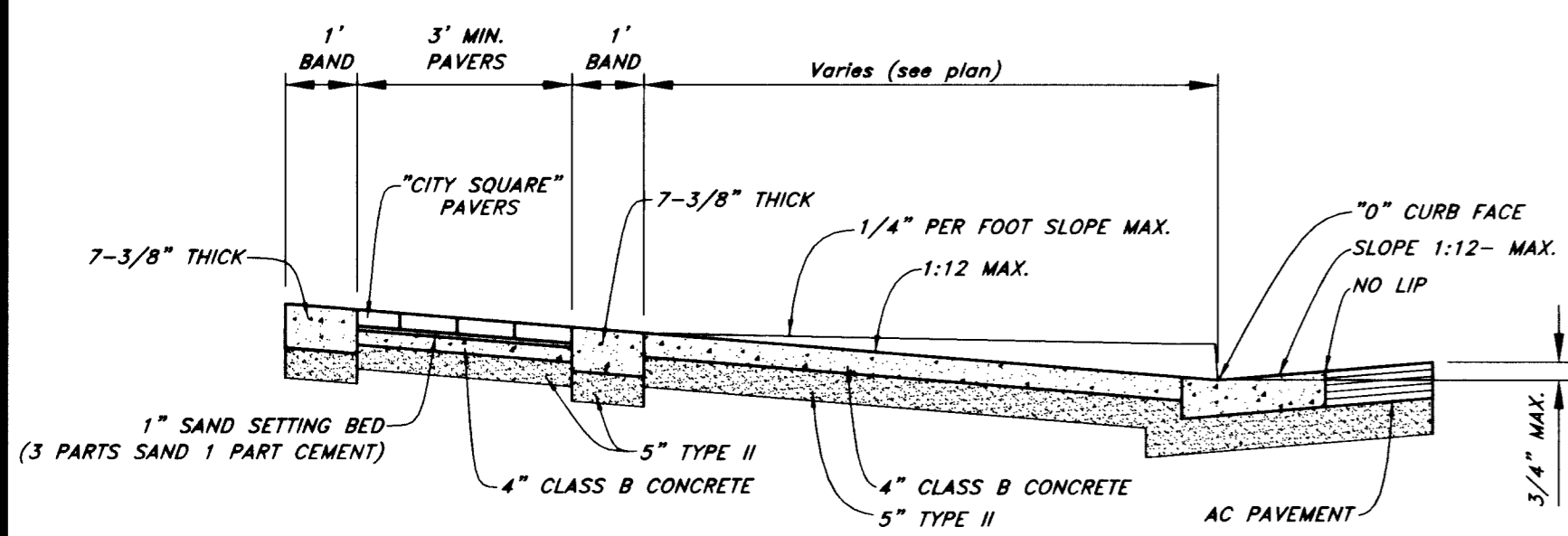
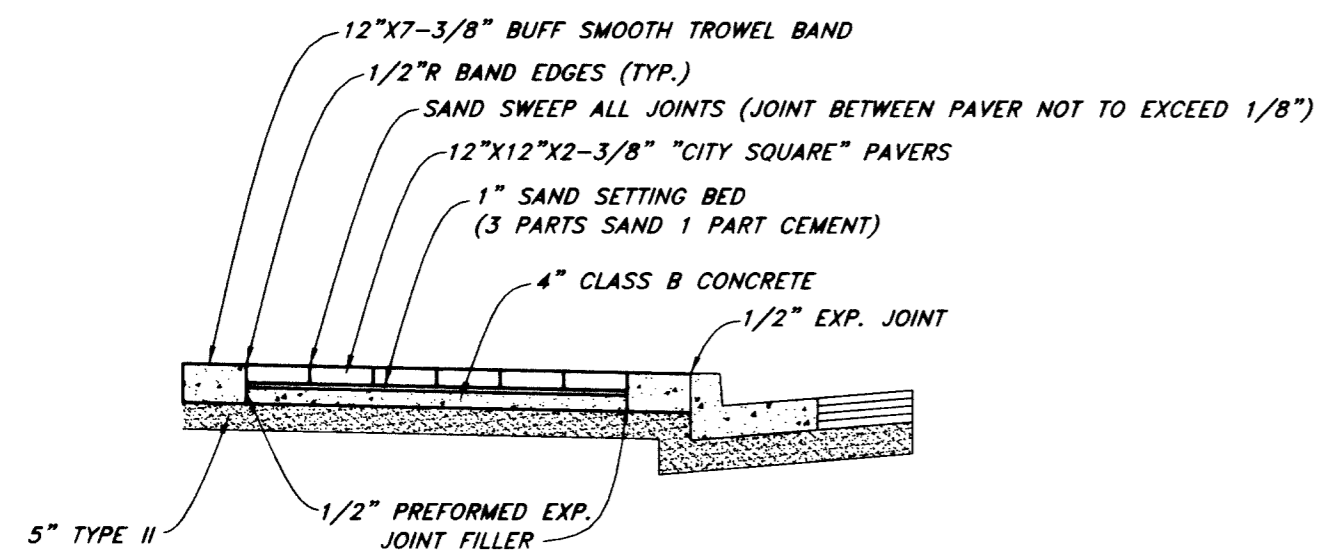


**PLAN**

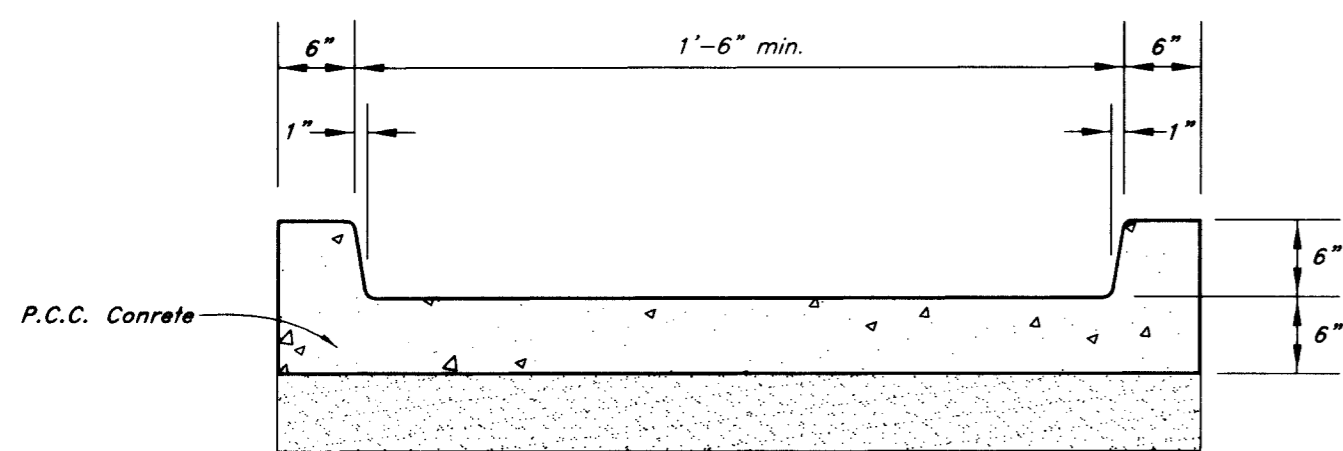


**SECTION B-B**



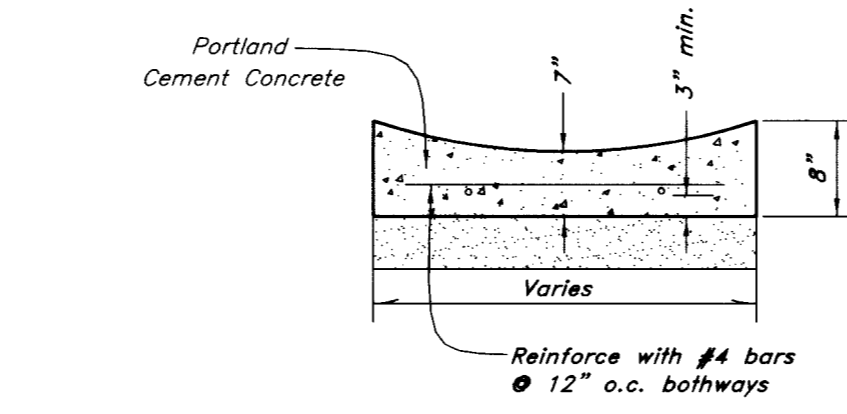
**SECTION C-C**

**10 Handicap Access Ramp Detail**  
Not to Scale



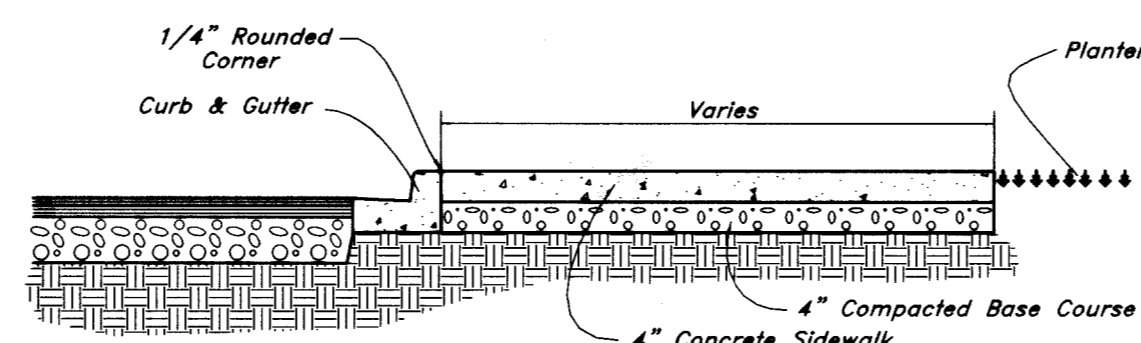
**On-Site Drainage Channel Detail**  
Not to Scale

**9**



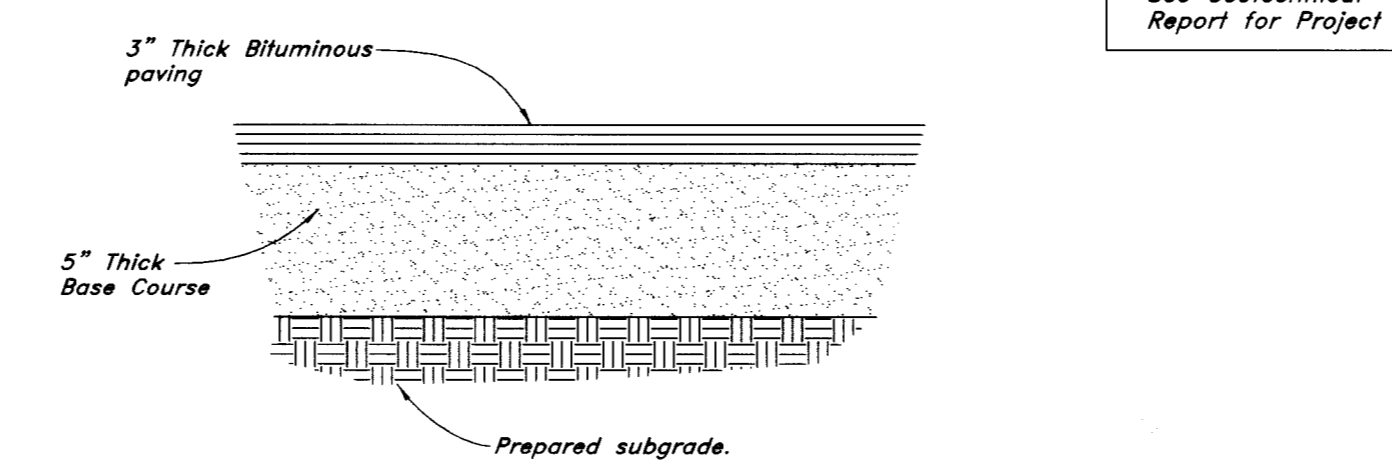
**On-Site Typical Valley Gutter Detail**  
Not to Scale

**8**



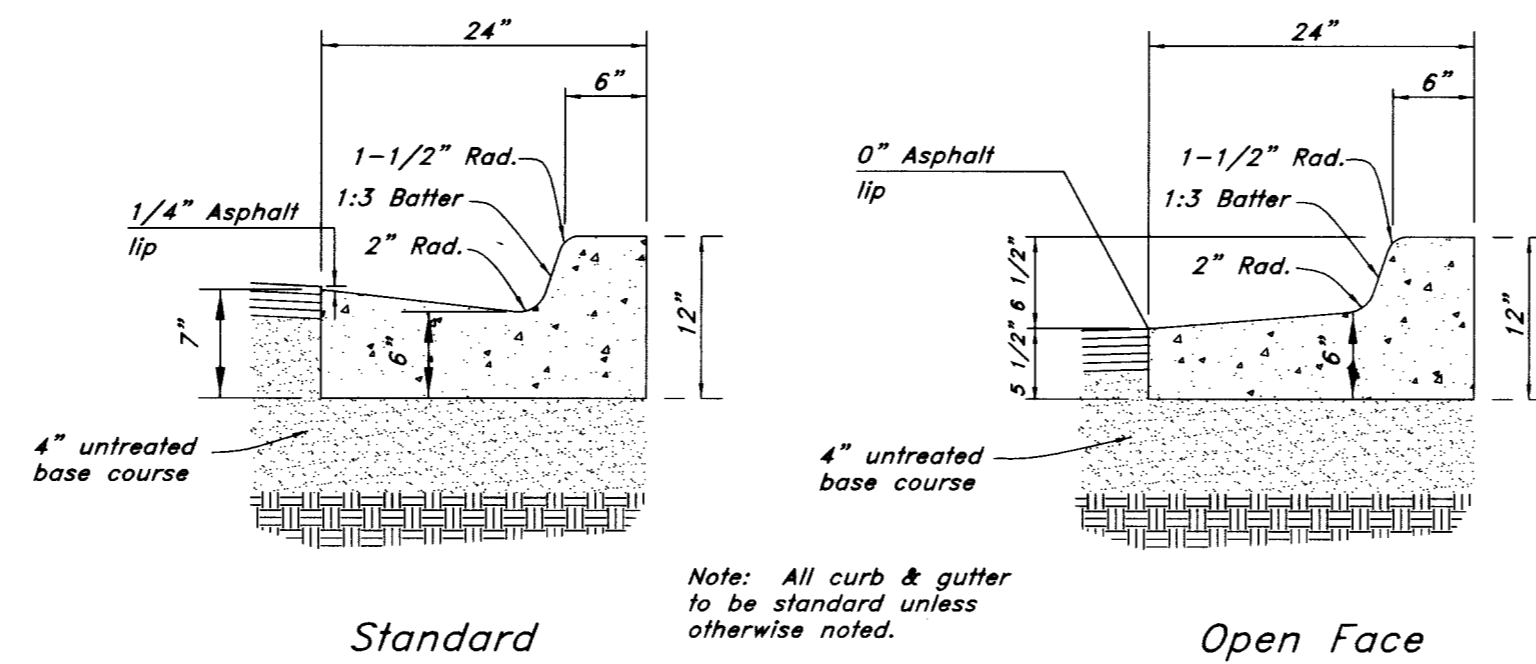
**Onsite Typical Sidewalk Detail**  
Not to Scale

**7**



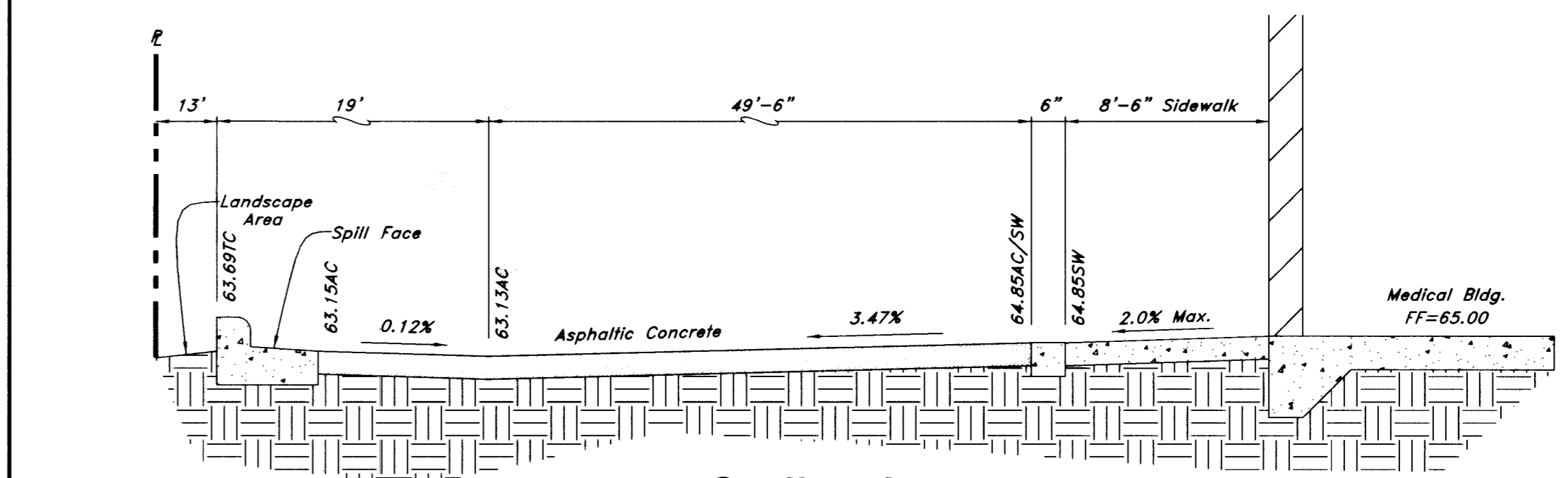
**Onsite Standard Asphalt Section**  
Not to Scale

**6**



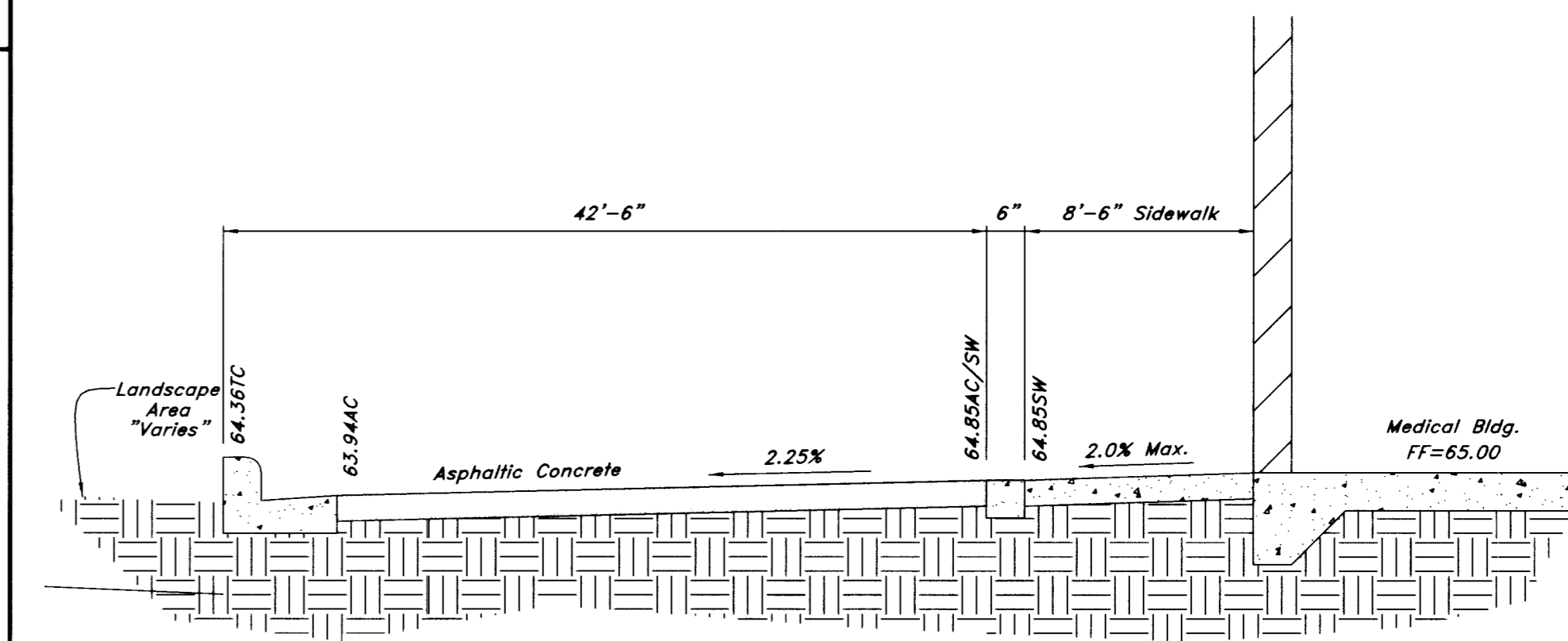
**Onsite 24" Curb And Gutter**  
Not to Scale

**5**



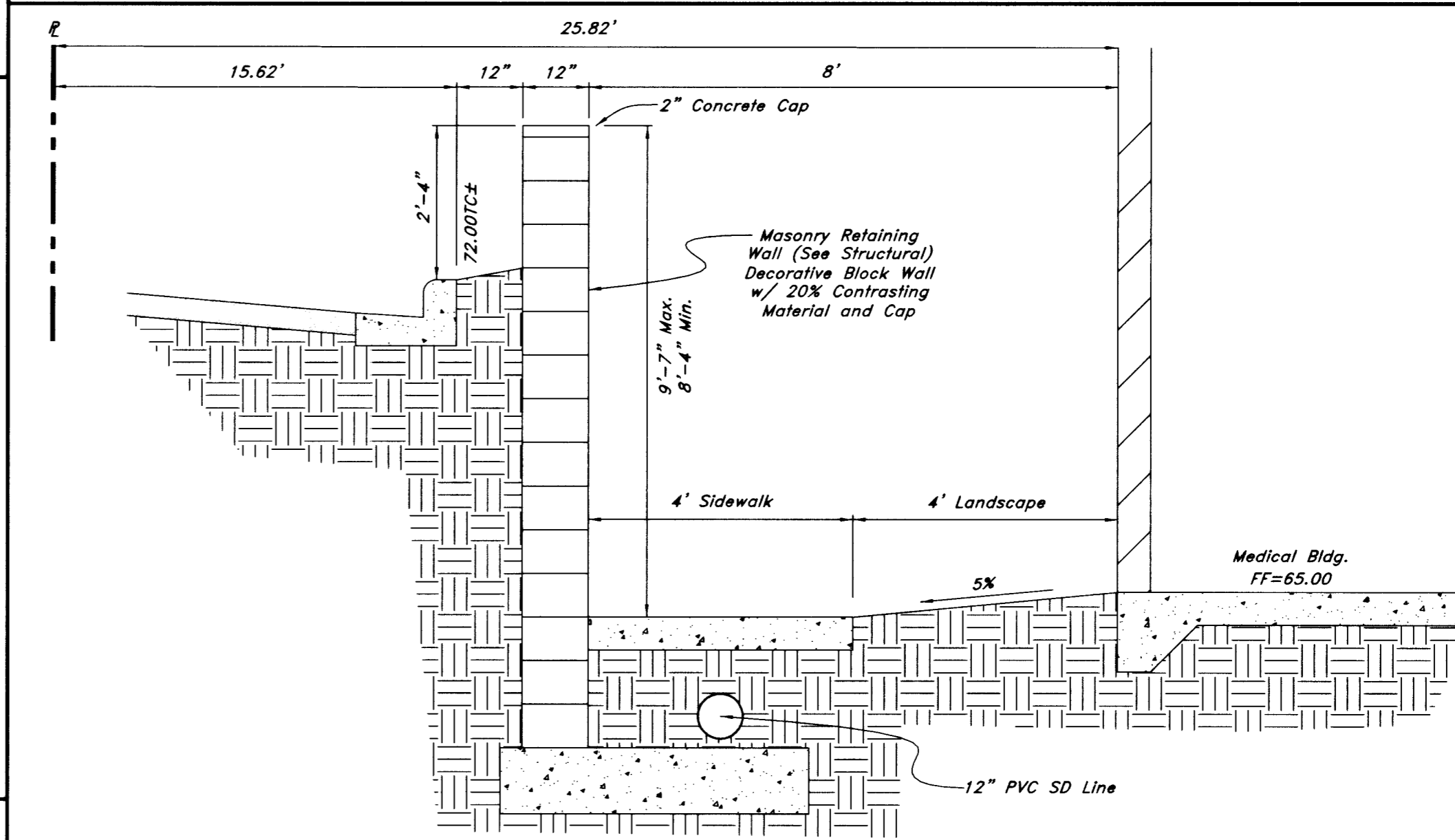
**Section 4**  
Not to Scale

**4**



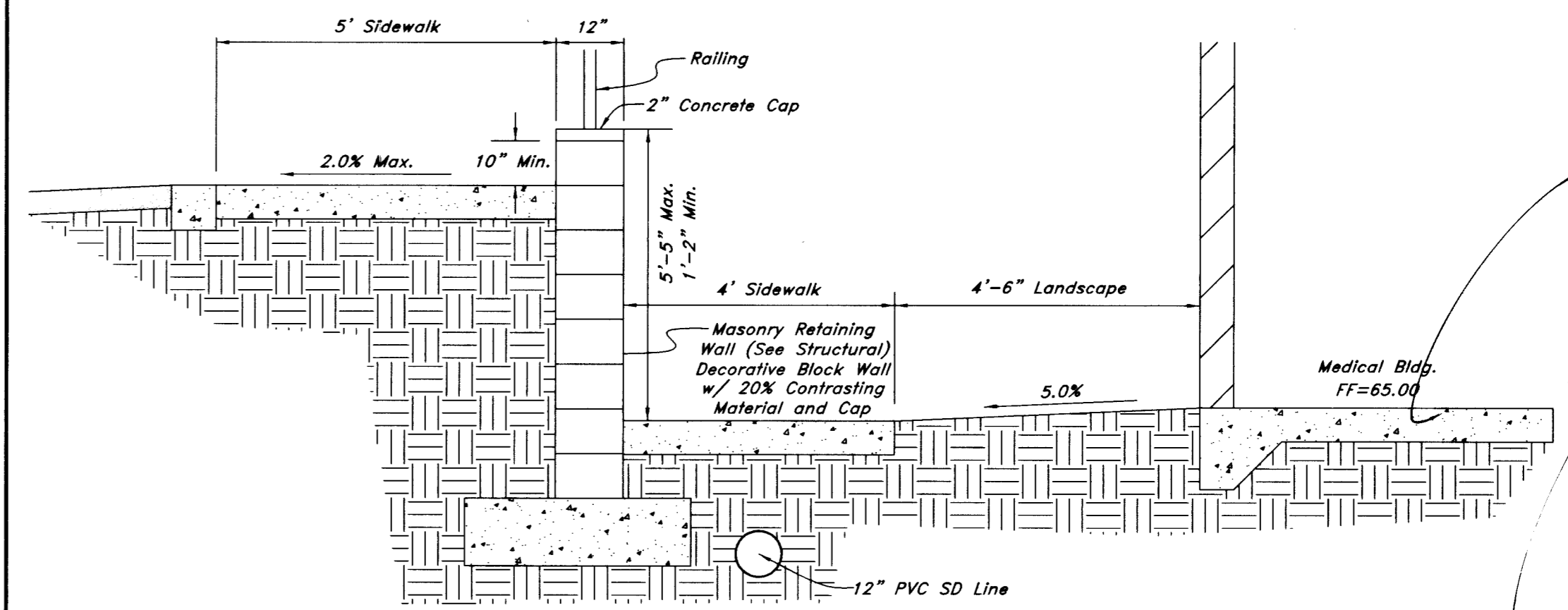
**Section 3**  
Not to Scale

**3**



**Section 2**  
Not to Scale

**2**



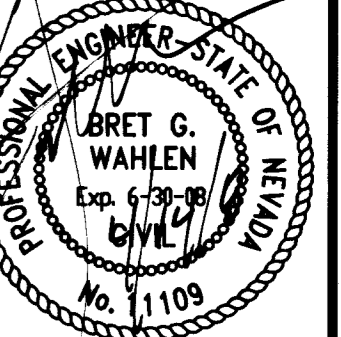
**Section 1**  
Not to Scale

**1**

Designed by: JR  
Drafted by: HRS  
Client Name: KGA Architecture  
07-09BDT

**GREAT BASIN ENGINEERING - SOUTH**  
CONSULTING ENGINEERS and LAND SURVEYORS  
2010 North Redwood Road, P.O. Box 16747  
Salt Lake City, Utah 84116  
Salt Lake City (801)521-8529 Ogden (801)394-7288 Fax (801)521-8551

**Details**  
**Dorrell Medical Office Building**  
Grand Montecito Parkway & Dorrell Lane  
Las Vegas, Nevada



18 Mar, 2008

SHEET NO.

**C5.1**  
11 of 15

107V5038

11098C

H27076