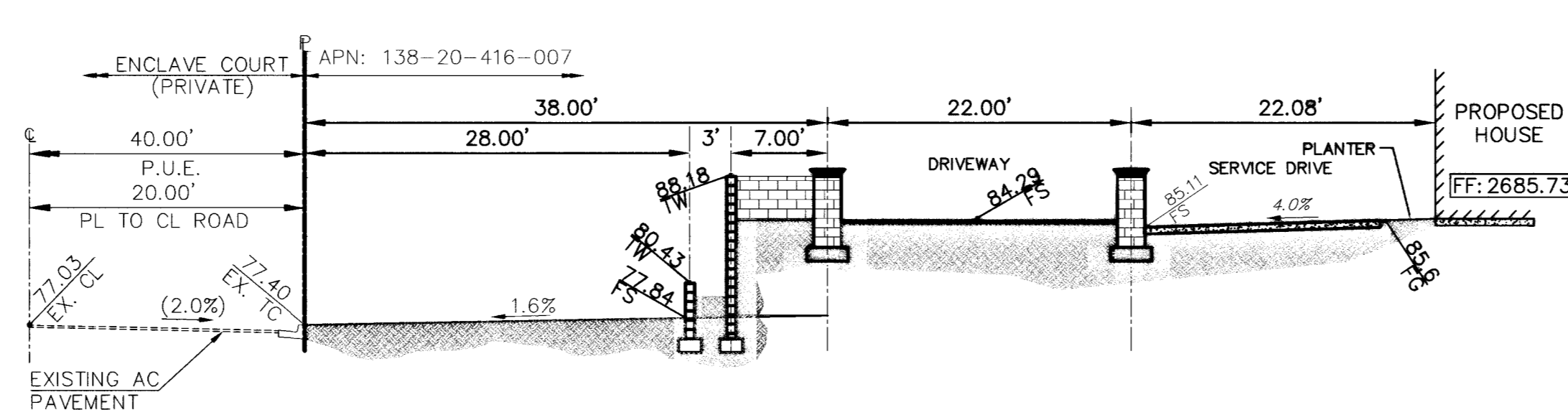
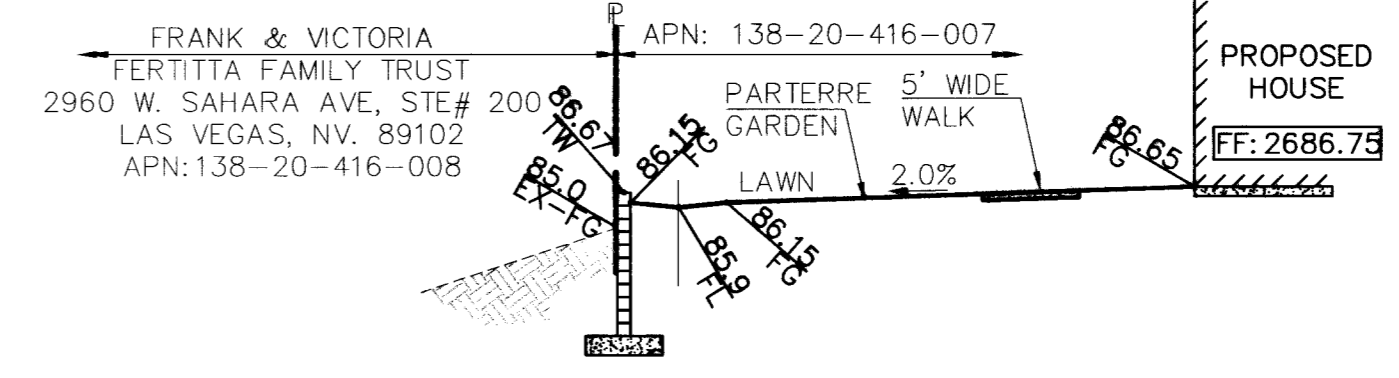


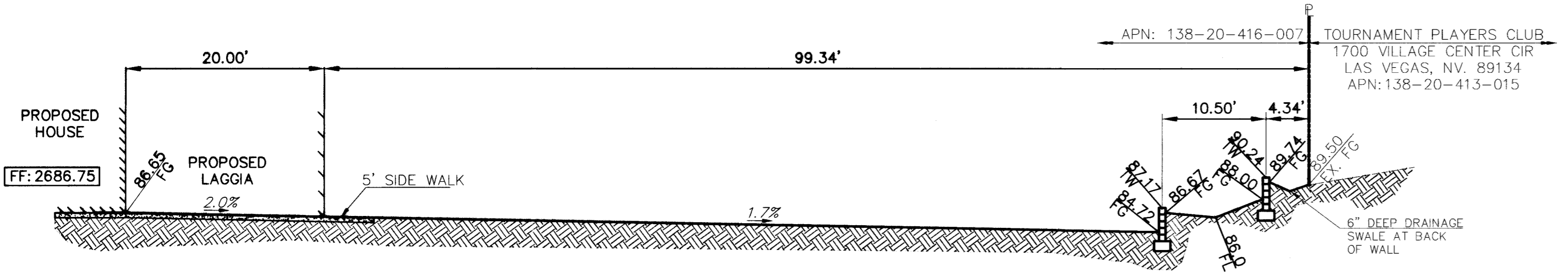
ENTRY STEPS PROFILE A
NTS (C8.01)



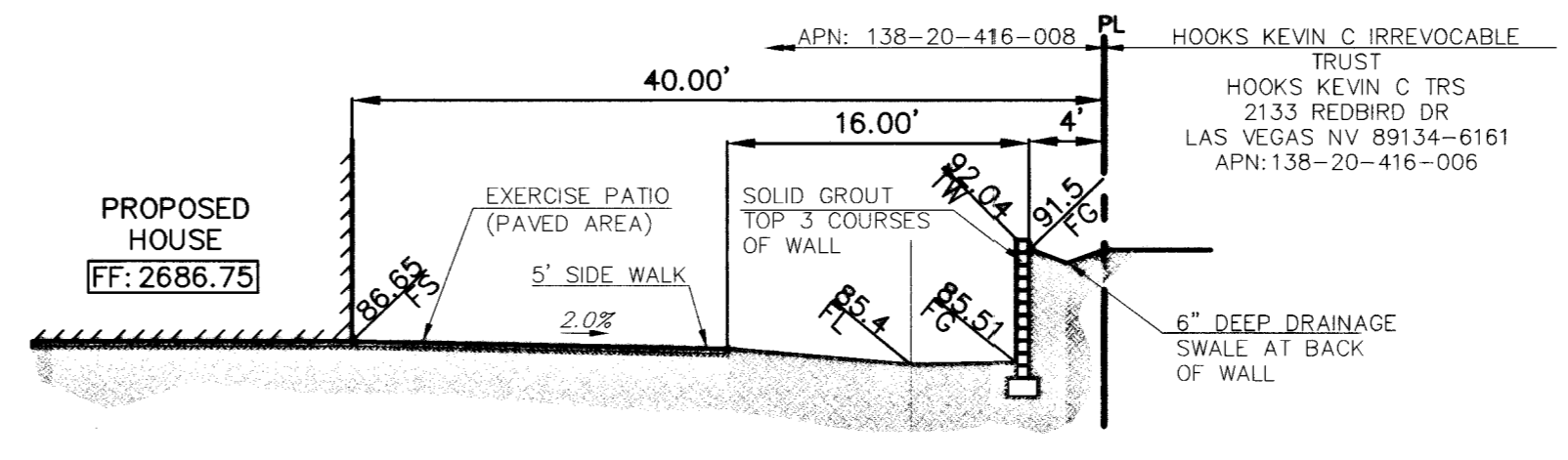
CROSS SECTION C
NTS (C8.01)



CROSS SECTION D
NTS (C8.01)

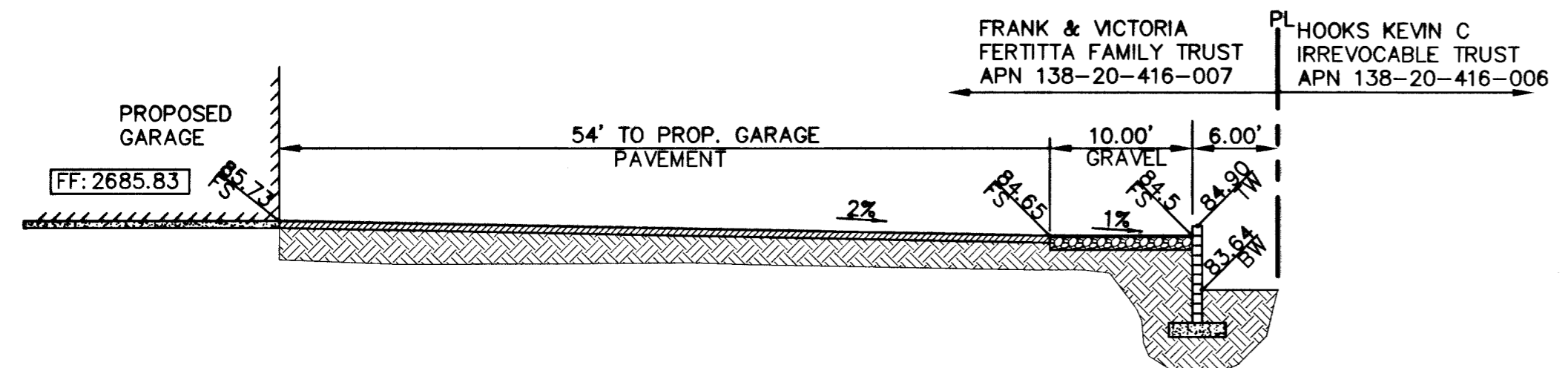


CROSS SECTION E
NTS (C8.01)

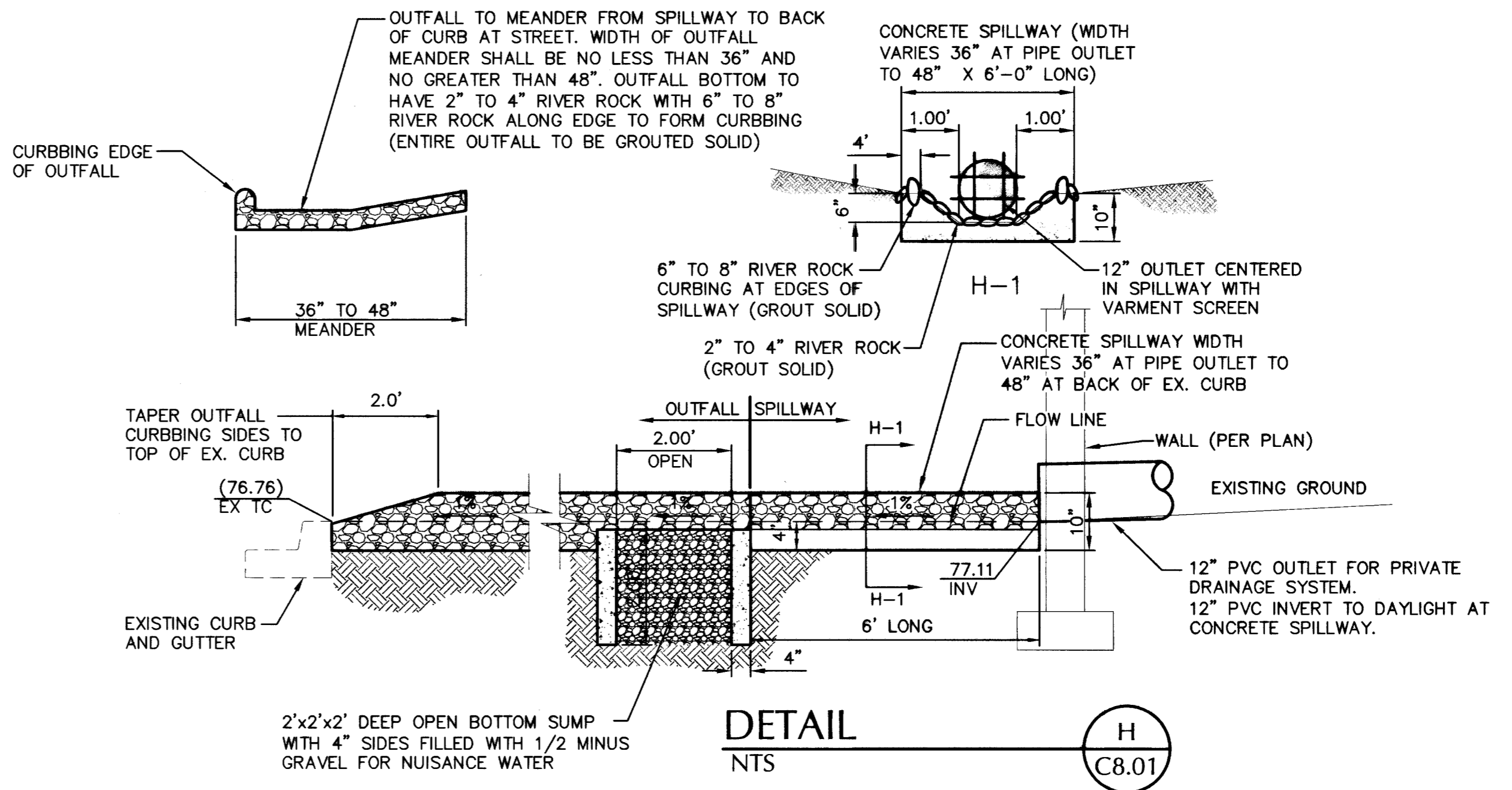


CROSS SECTION F
NTS (C8.01)

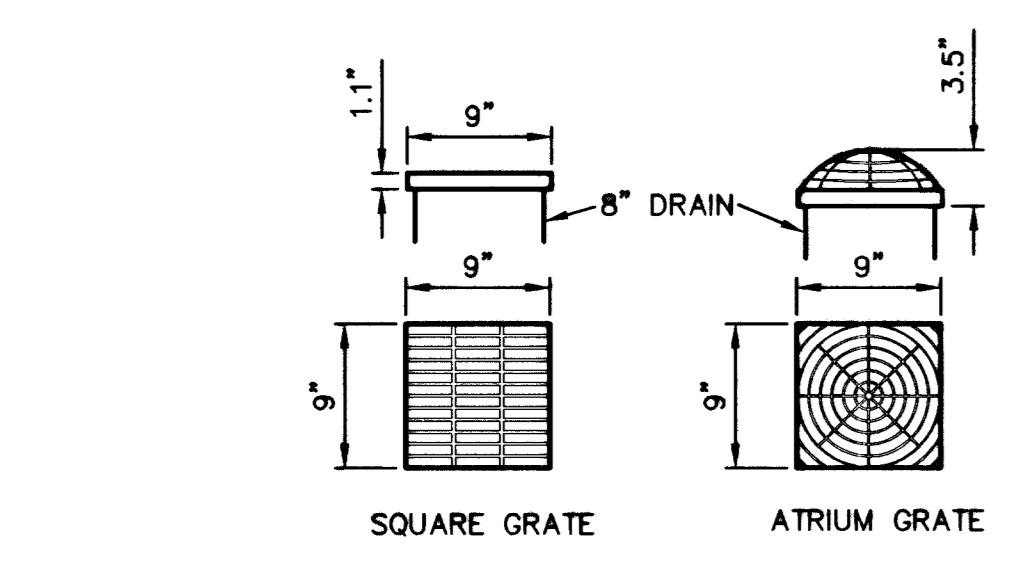
NOT USED B
NTS (C8.01)



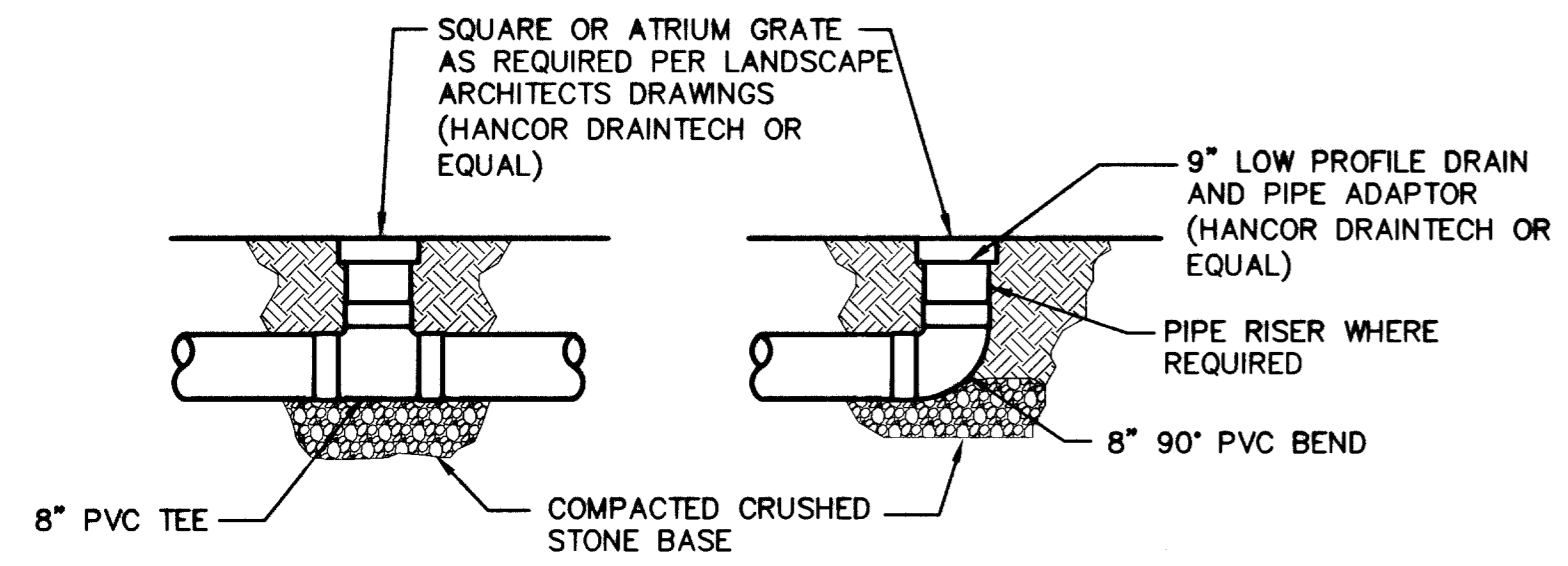
CROSS SECTION G
NTS (C8.01)



DETAIL H
NTS (C8.01)

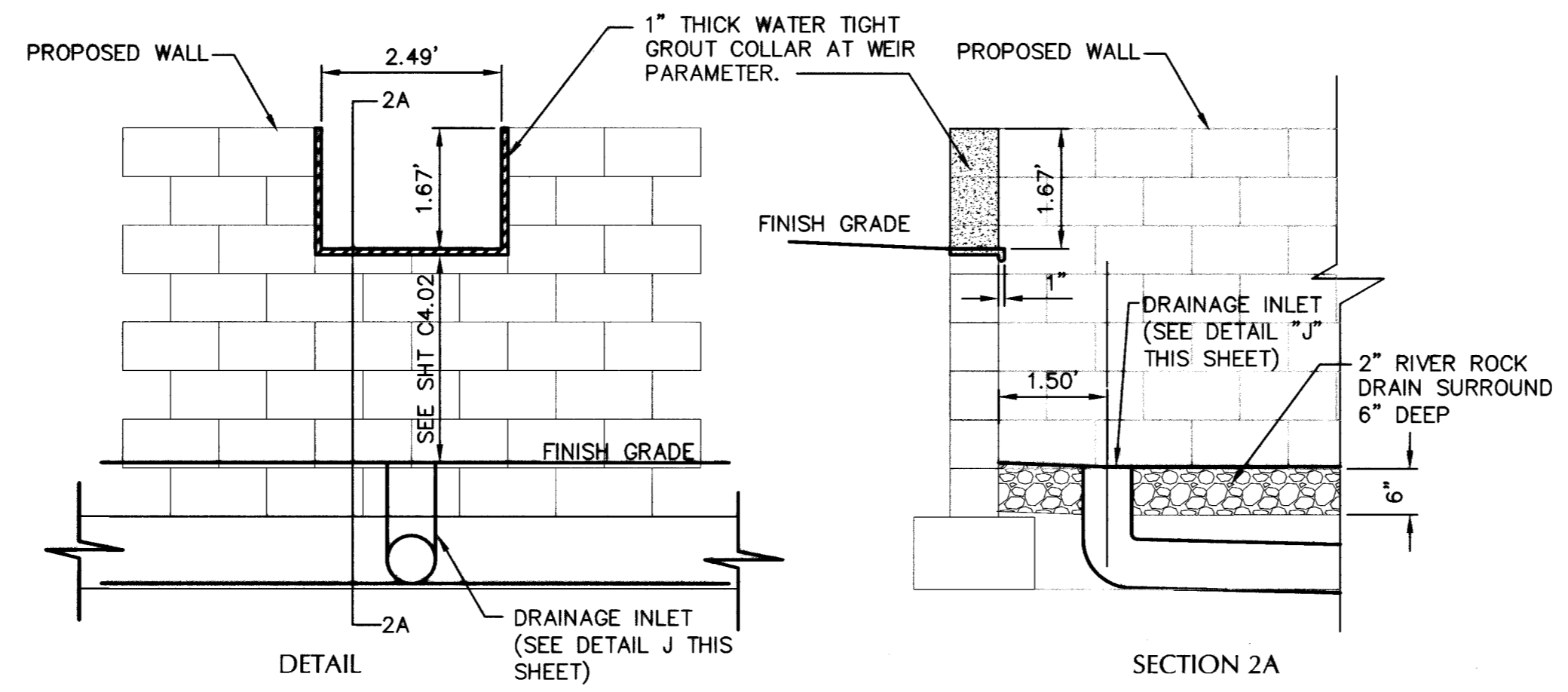


DETAIL I
NTS (C8.01)



NOTE
1. SEE SITE DRAINAGE PLAN FOR RIM AND INVERT ELEVATIONS
2. SEE LANDSCAPE ARCHITECTS DRAWINGS FOR TYPE AND STYLE OF GRATE.

DETAIL J
NTS (C8.01)



DRAINAGE WEIR DETAIL K
NTS (C8.01)

NO.	DESCRIPTION OF REVISIONS	DATE	INITIALS
1	REVISED ALL DETAILS DUE TO GRADE AND WALL CHANGES AND REVISED SHEET INDEX NUMBER	10/19/07	EP

DATE	08/23/07
JOB NUMBER	2137.02
DESIGN BY	B. CHAMBERLAIN
DRAWN BY	D. BOUMAN
CHECKED BY	T. MILLER P.E.

MARTIN & MARTIN
CIVIL ENGINEERS & SURVEYORS
2101 S. JONES BLVD SUITE 120
LAS VEGAS, NV 89146
PHONE (702) 248-8000
FAX (702) 248-8070

MYLAR RELOT

C8.01
SHEET 8 OF 9

ENCLAVE LOT 7 RESIDENCE
APN: 138-20-416-007
DETAIL SHEET I