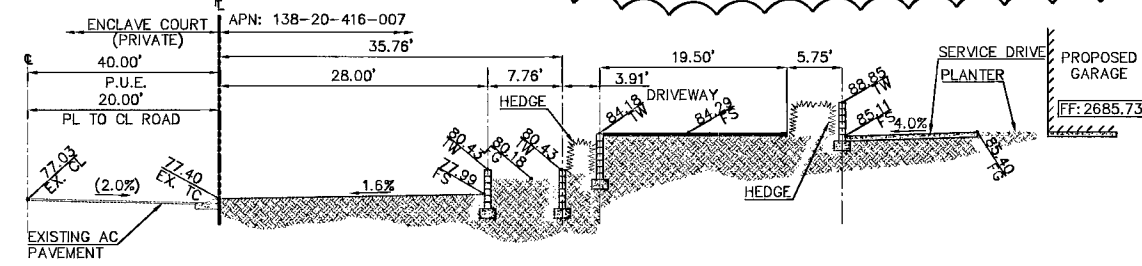
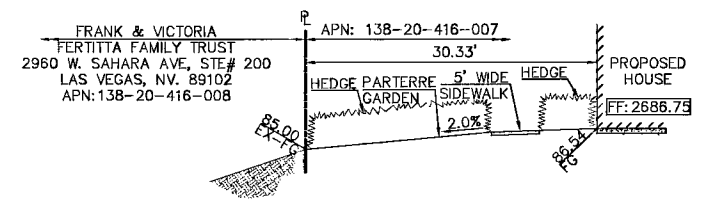


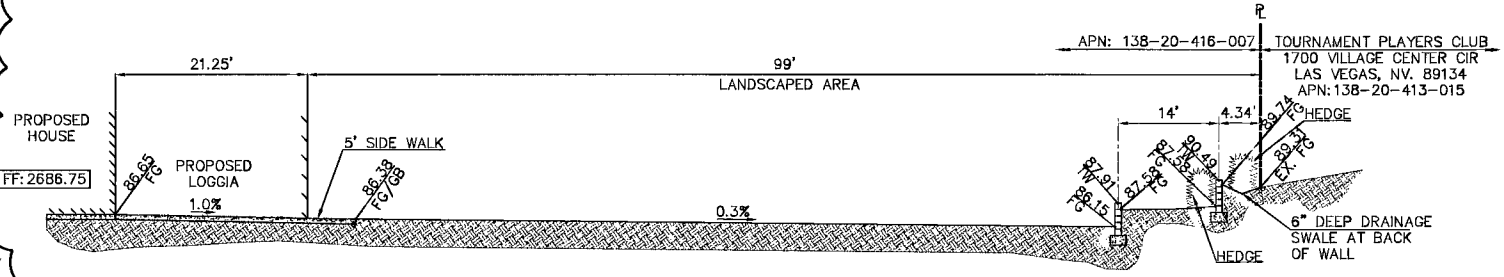
ENTRY STEPS PROFILE
NTS
A
C8.01



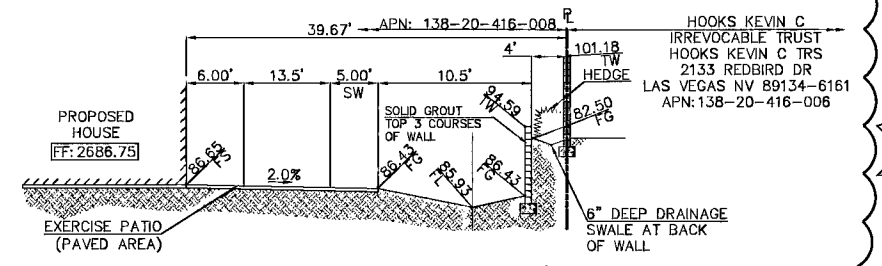
CROSS SECTION
NTS
C
C8.01



CROSS SECTION
NTS
D
C8.01

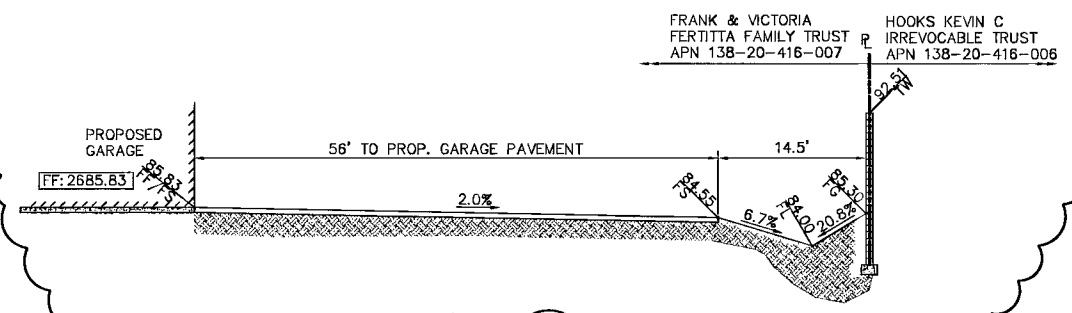


CROSS SECTION
NTS
E
C8.01

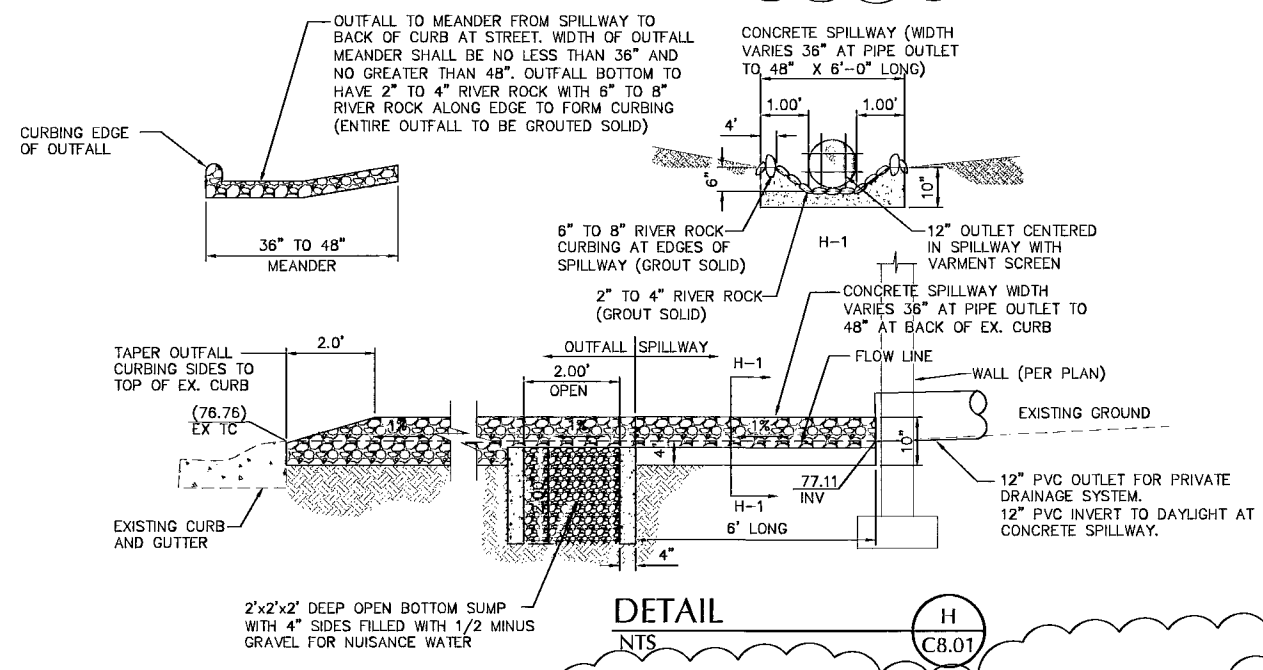


CROSS SECTION
NTS
F
C8.01

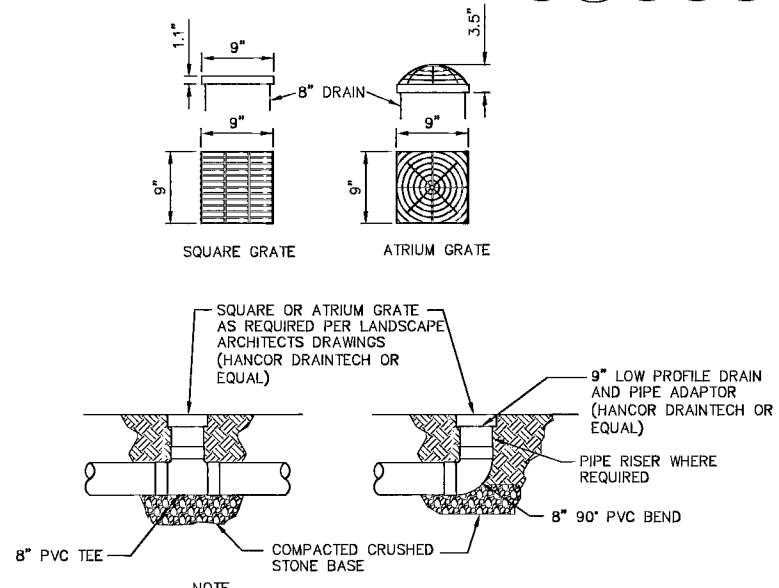
NOT USED
NTS
B
C8.01



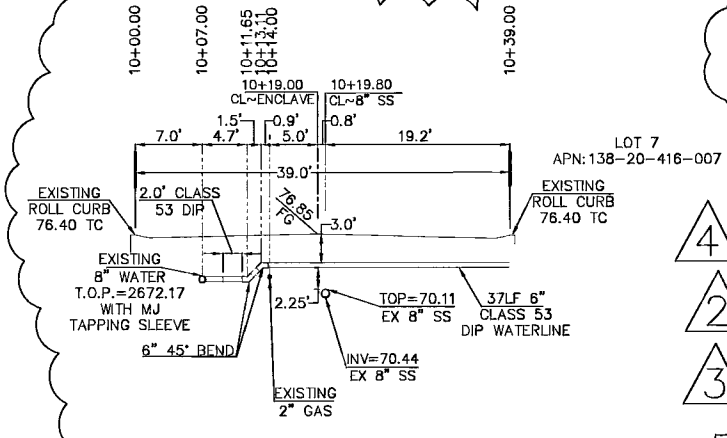
CROSS SECTION
NTS
G
C8.01



DETAIL
NTS
H
C8.01

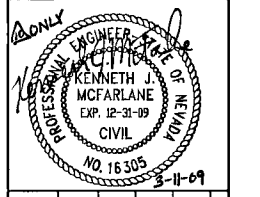


DETAIL
NTS
J
C8.01



CROSS SECTION
NTS
M
C8.01

NO.	DESCRIPTION OF REVISIONS	DATE	INITIALS
1	REVISED ALL DETAILS DUE TO GRADE AND WALL CHANGES AND REVISED SHEET INDEX (CLV)		
2	ADDED WATERLINE PROFILE (LWWD)		
3	REVISED WATER LINE PROFILE (LWWD)		
4	REVISED WATER LINE PROFILE (LWWD)		
5	REVISED CROSS-SECTION DETAILS TO MATCH REVISED GRADES (REVISED DRAINAGE PER DETAIL (CLV))		
6	REVISED DETAILS TO MATCH SITE GRADING	3/7/09	ET/CH



DATE	3/11/2009
JOB NUMBER	2137.02
DESIGN BY	B. TEDIITS
DRAWN BY	J. JINSAY
CHECKED BY	P. DOW P.E.

MYLAR REPLOT
ENCLAVE LOT 7 RESIDENCE
APN: 138-20-416-007
DETAIL SHEET 1

MARTIN & MARTIN
Civil Engineers
1909 S. Jones Boulevard
Las Vegas, Nevada 89146
Phone (702) 248-8000
Fax (702) 248-8070

ENTIRE SHEET
GENERAL REVISION

C8.01
SHEET 8 OF 9

CLV DWG# 107V4847

116912

H:\Cadd\Lot7\107V4847\Sheet1\107V4847-01.dwg, C8.01, 3/11/2009 11:50:18 AM, hmdavis