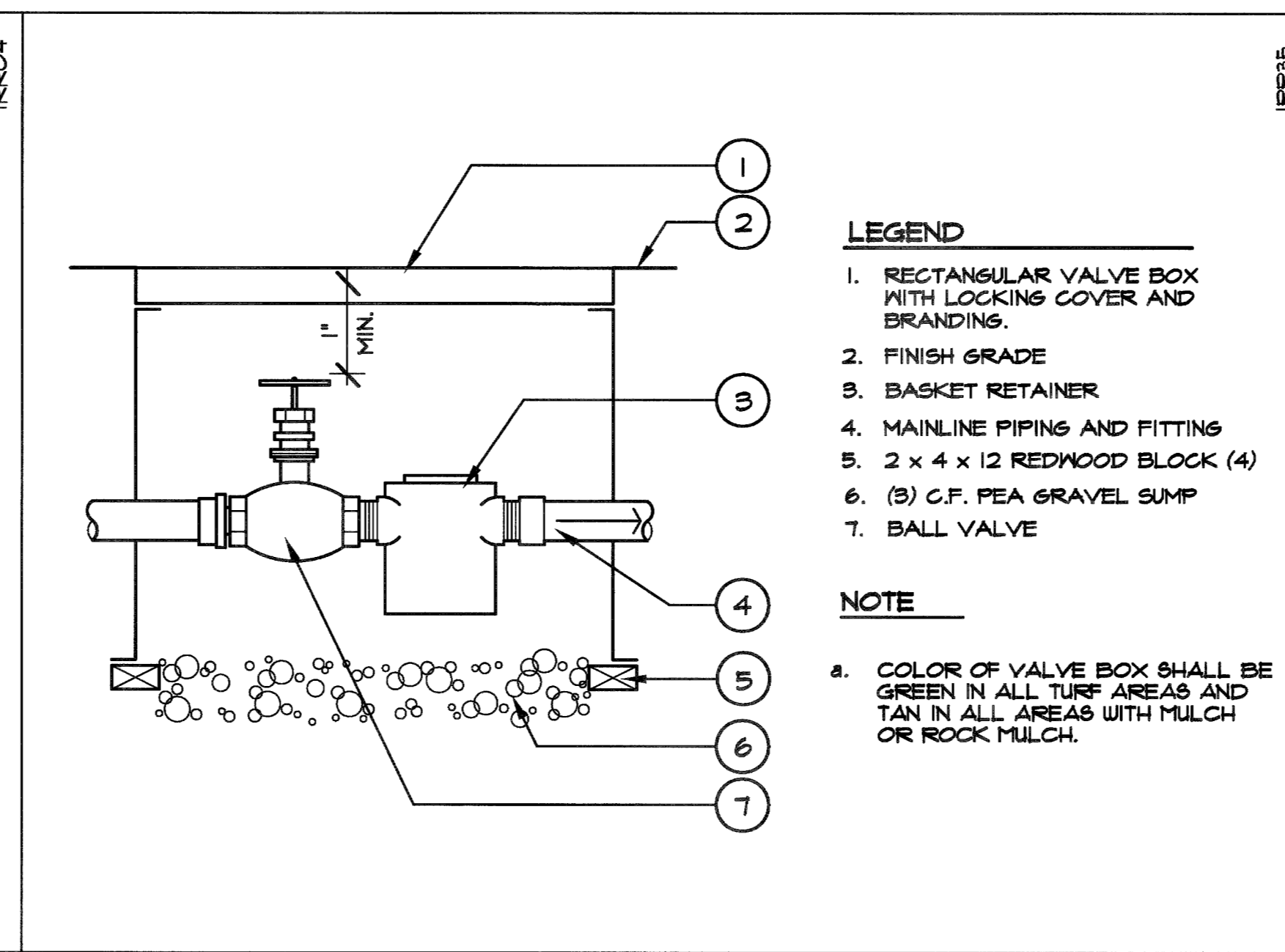
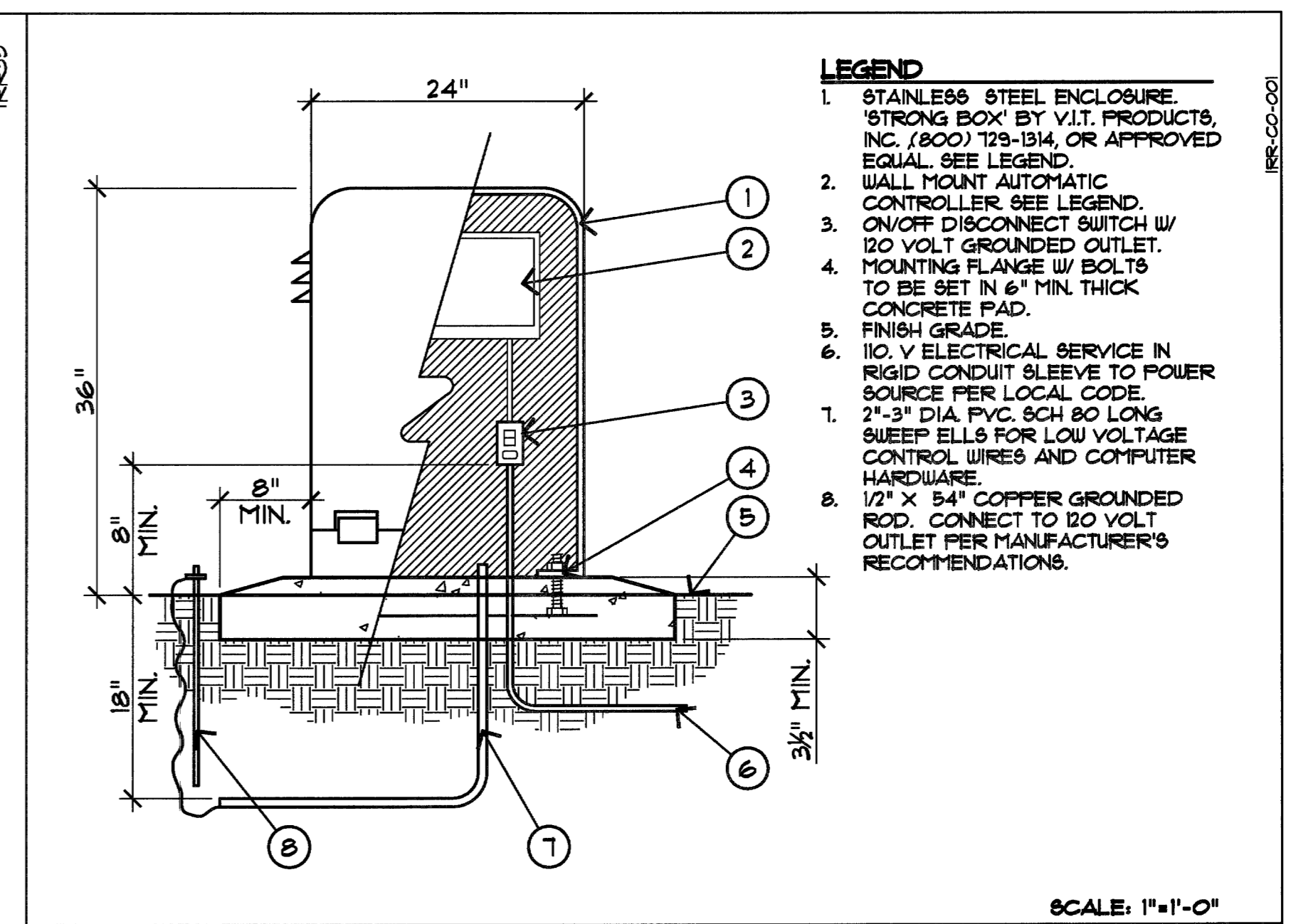


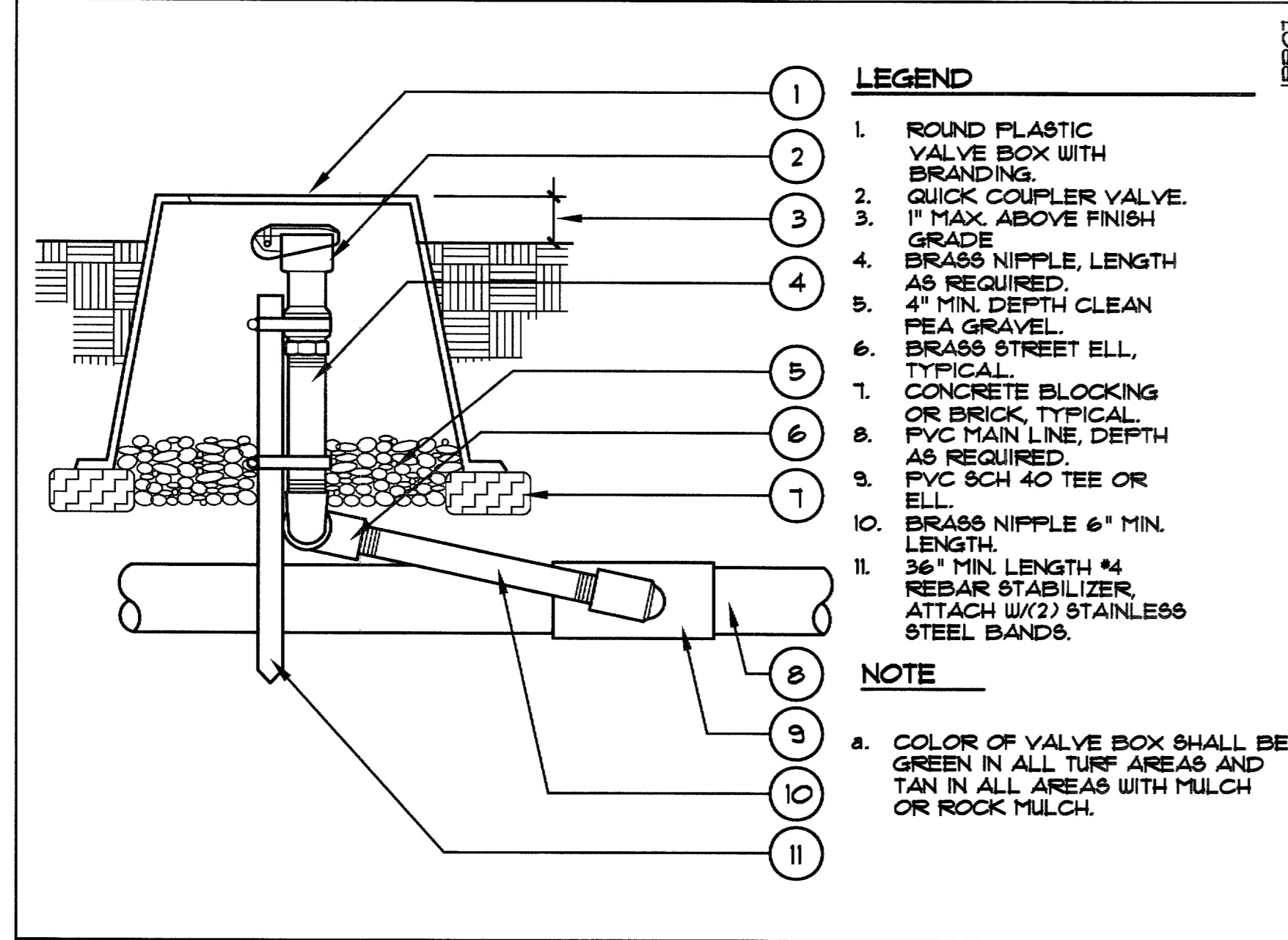
G SLEEVING



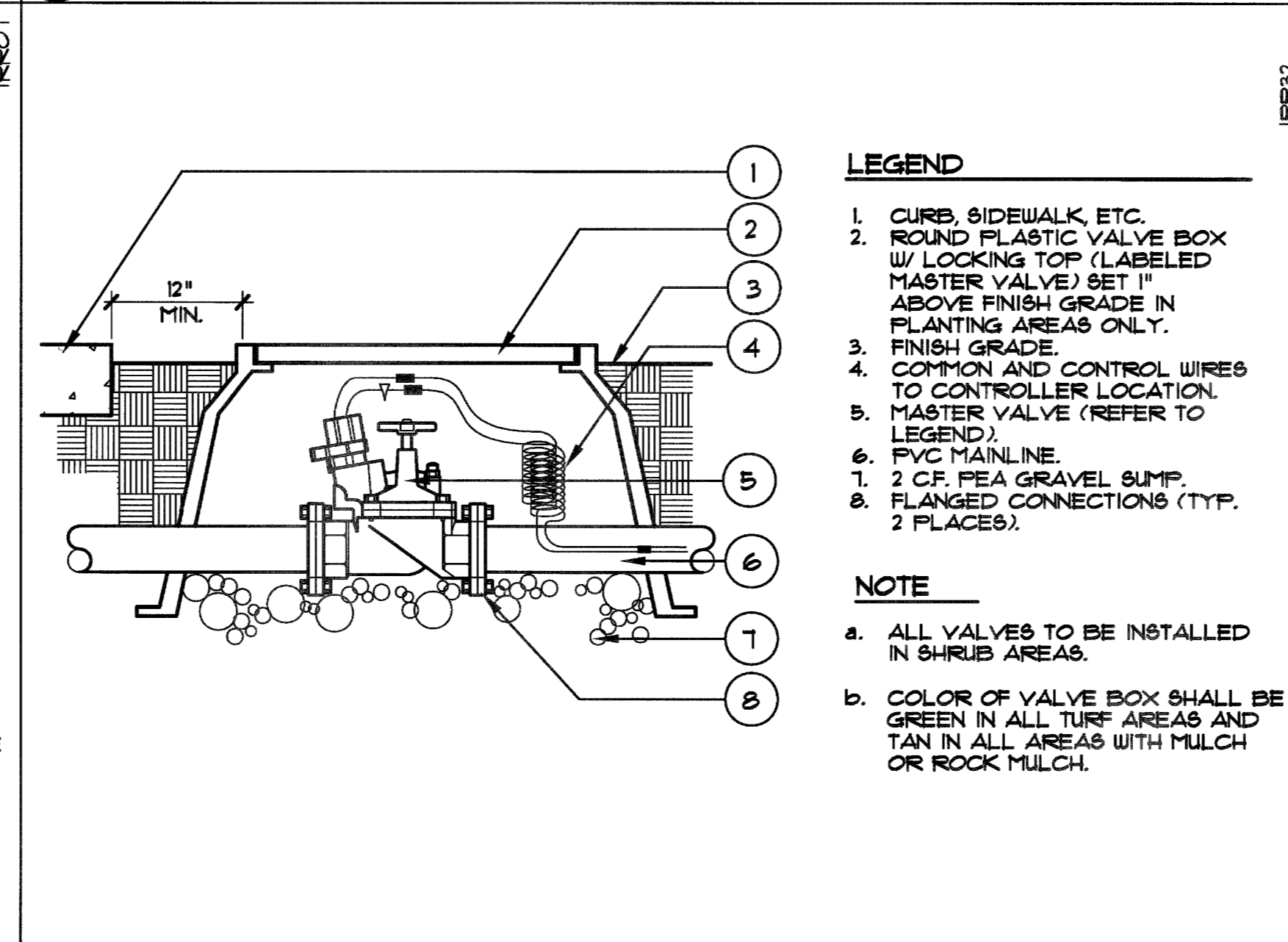
D BASKET STRAINER



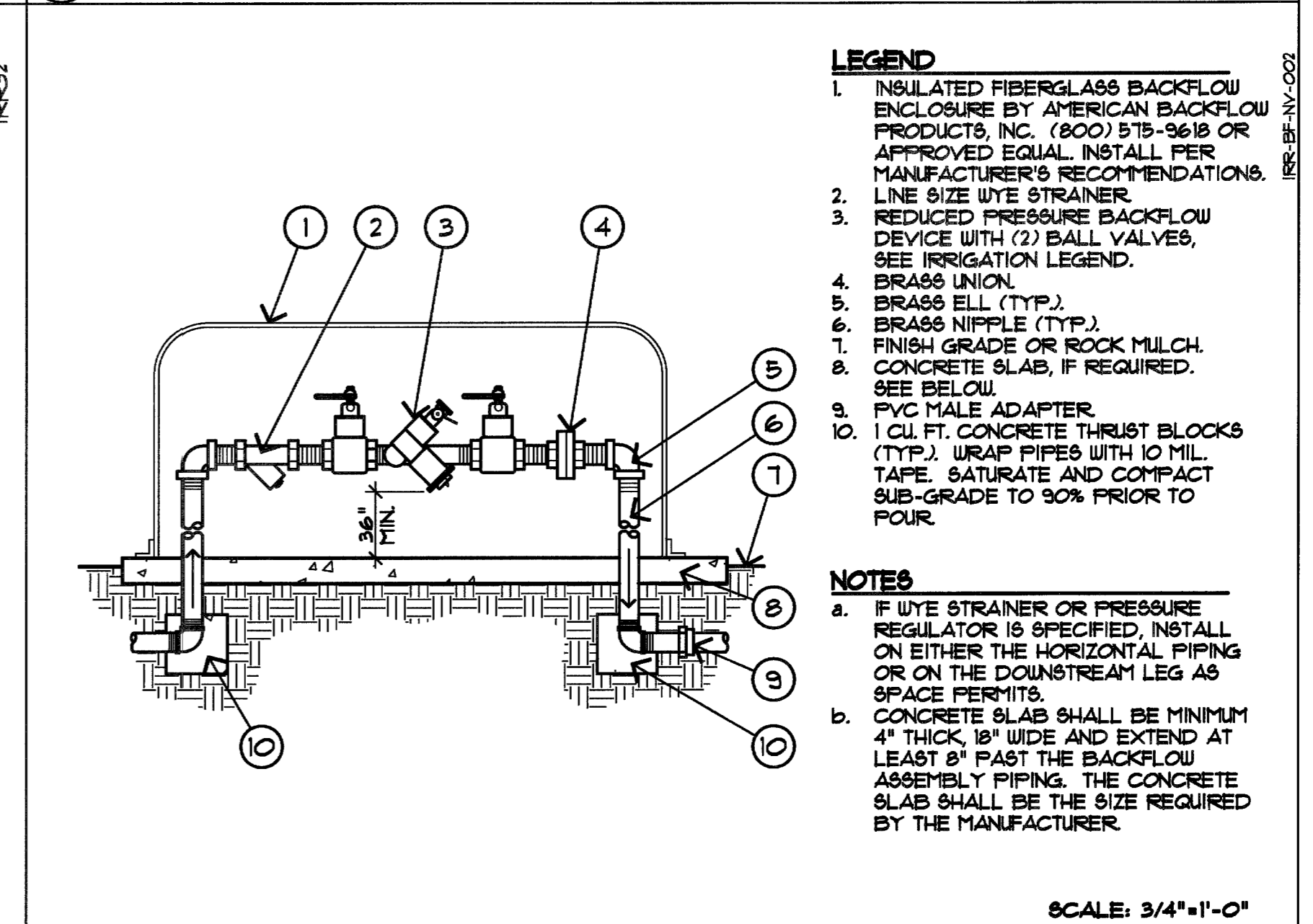
A PEDESTAL MOUNTED CONTROLLER



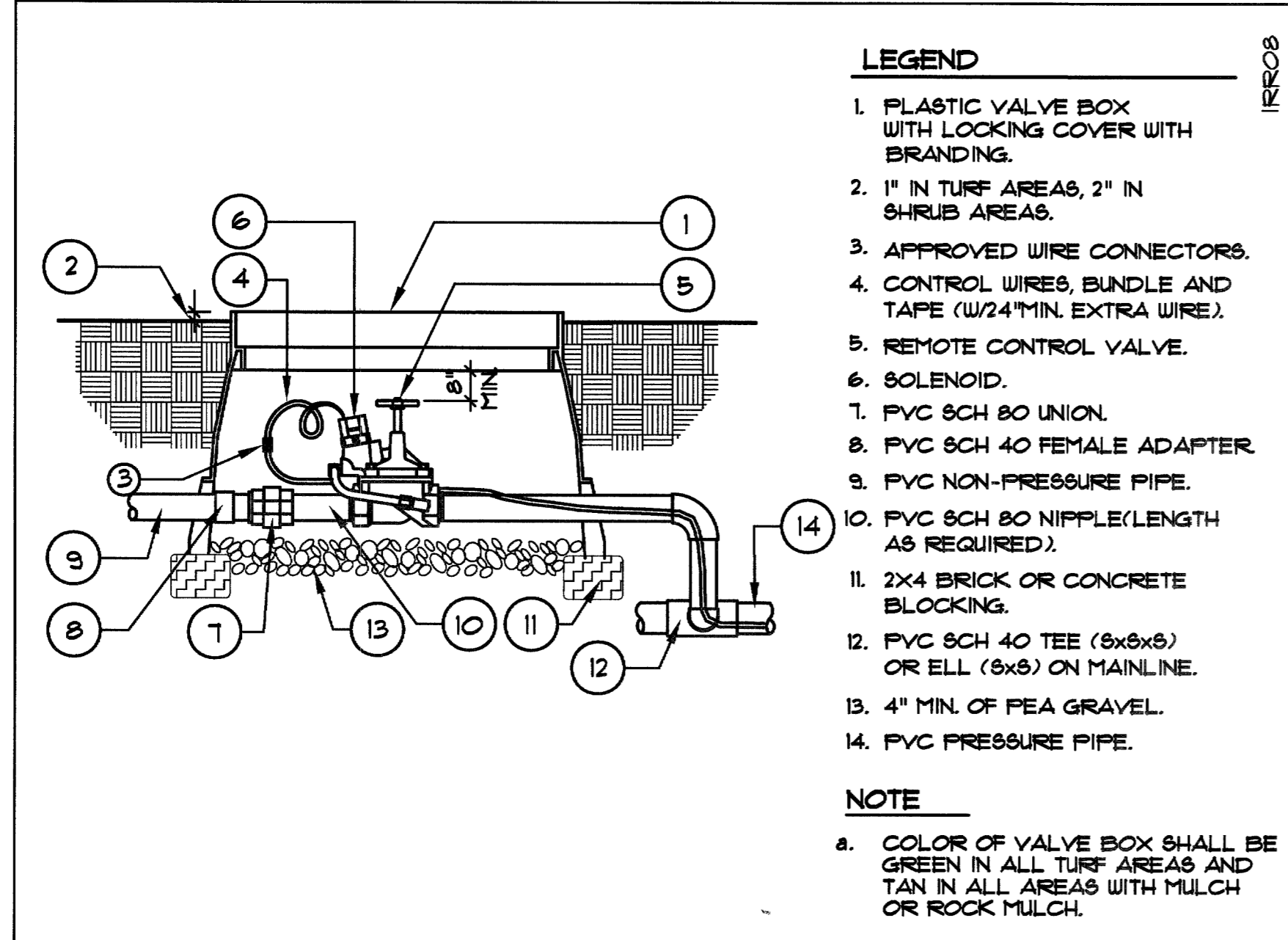
H QUICK COUPLER VALVE



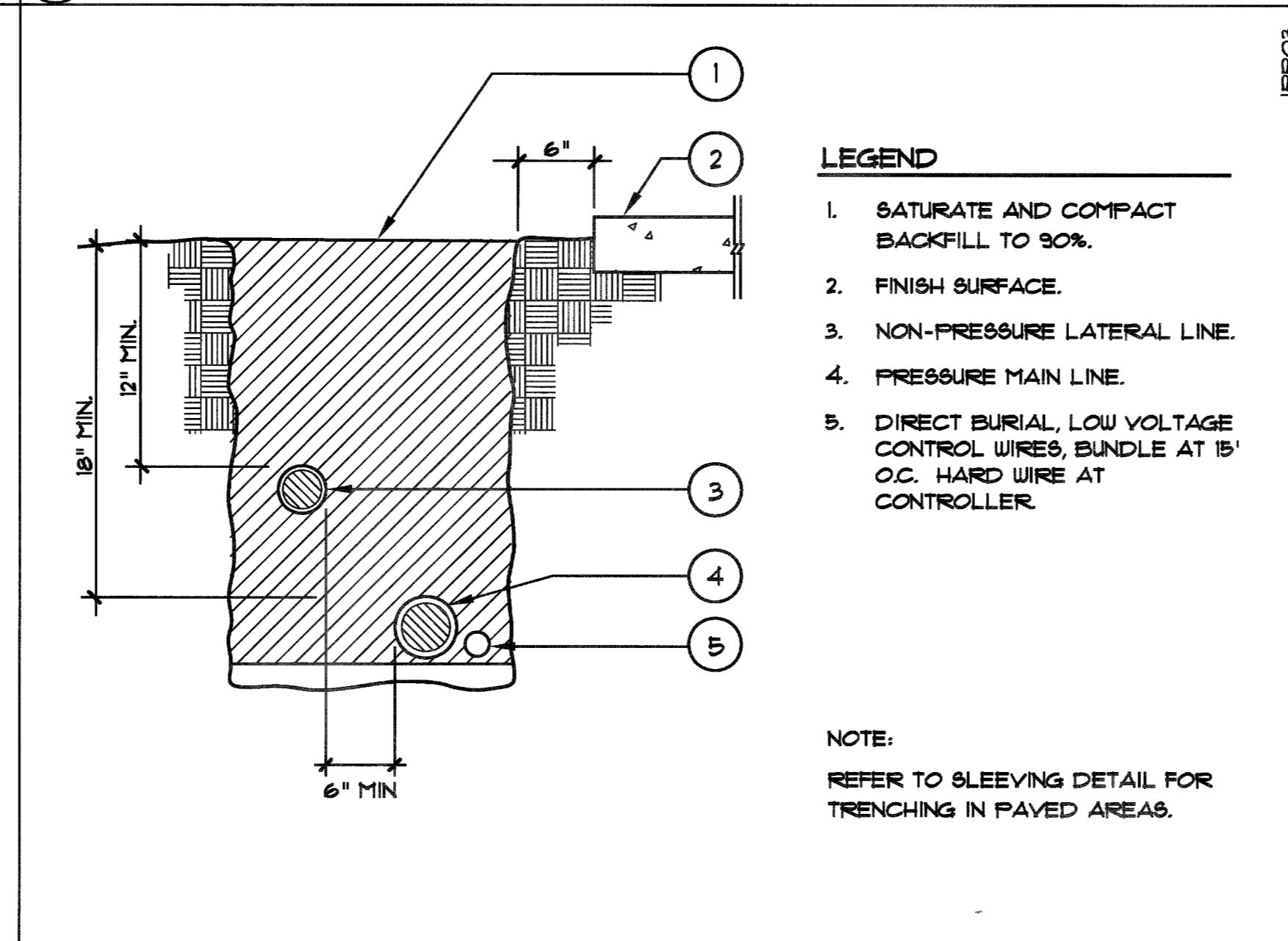
E MASTER VALVE



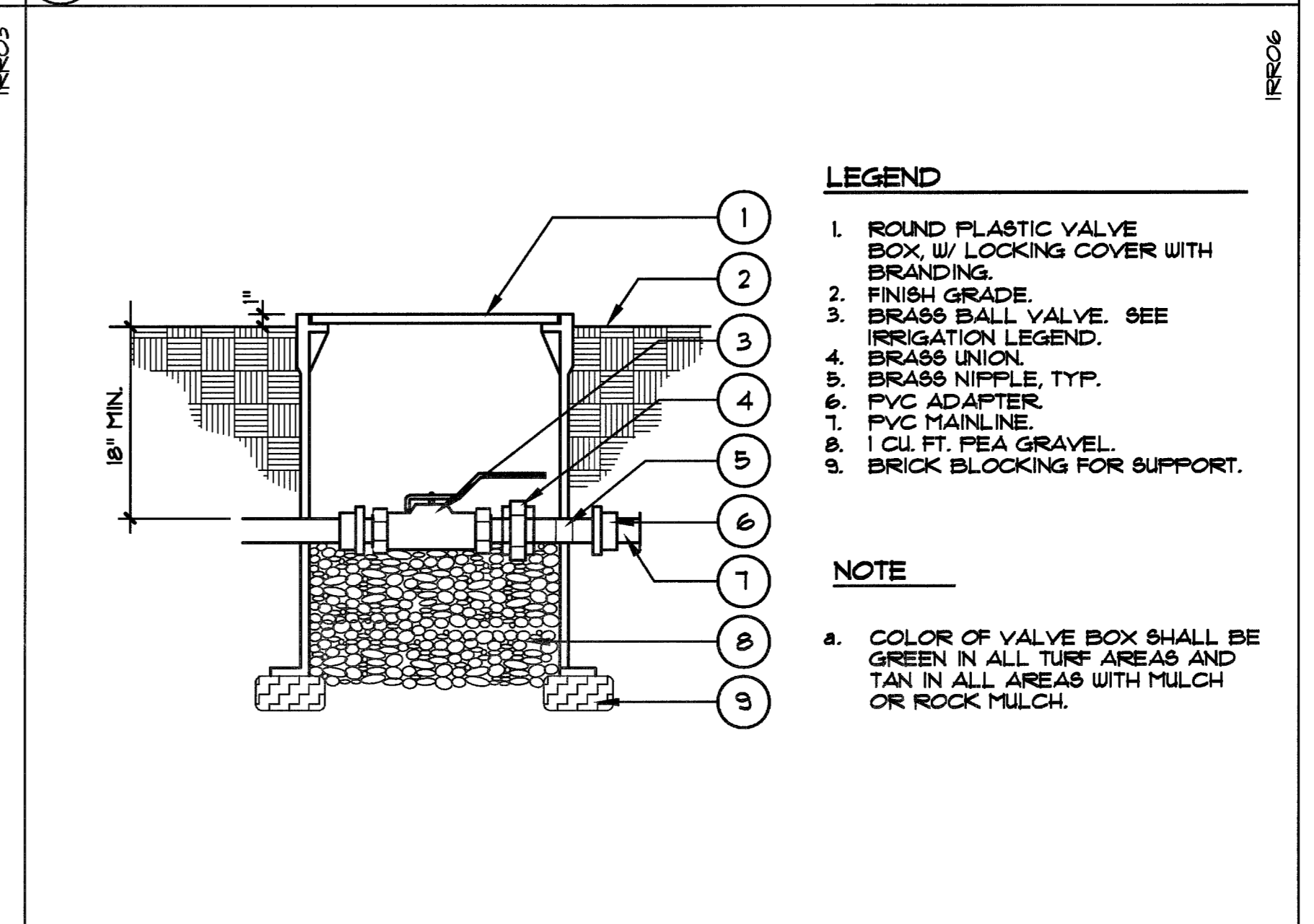
B BACKFLOW PREVENTER W/ ENCLOSURE



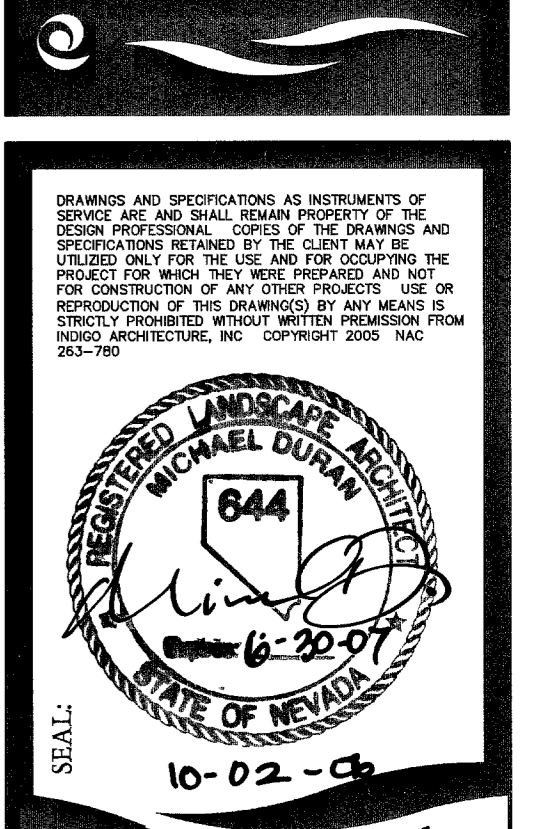
I ELECTRIC REMOTE CONTROL VALVE



F TRENCHING



C BALL VALVE



R.P.A. LANDSCAPE ARCHITECTURE PLANNING

71777
 California
 San Juan Capistrano, CA 92675
 949-248-7138 Fax 949-248-9890
 CA License No. 2041
 NEVADA
 10728 South Eastern Ave., Suite
 Henderson, NV 89052
 702-490-1247 Fax 702-492-1277
 Nevada State Architectural Seal

CONSULTANT:

Durango & Centennial Center
 El Capitán way (Durango) at Centennial Parkway

IRRIGATION DETAILS

PROJECT NAME:
 SHEET TITLE:
 REVISIONS:
 Project No: 25145

5060 S. Rainbow Blvd., Suite 100 • Las Vegas, Nevada 89118 • Phone: (702) 456-2772 • Fax: (702) 456-2773

Drawn By: RJB
 Date: February 22, 2006
 Scale: No Scale
 Sheet No:
L5.00
 10744754