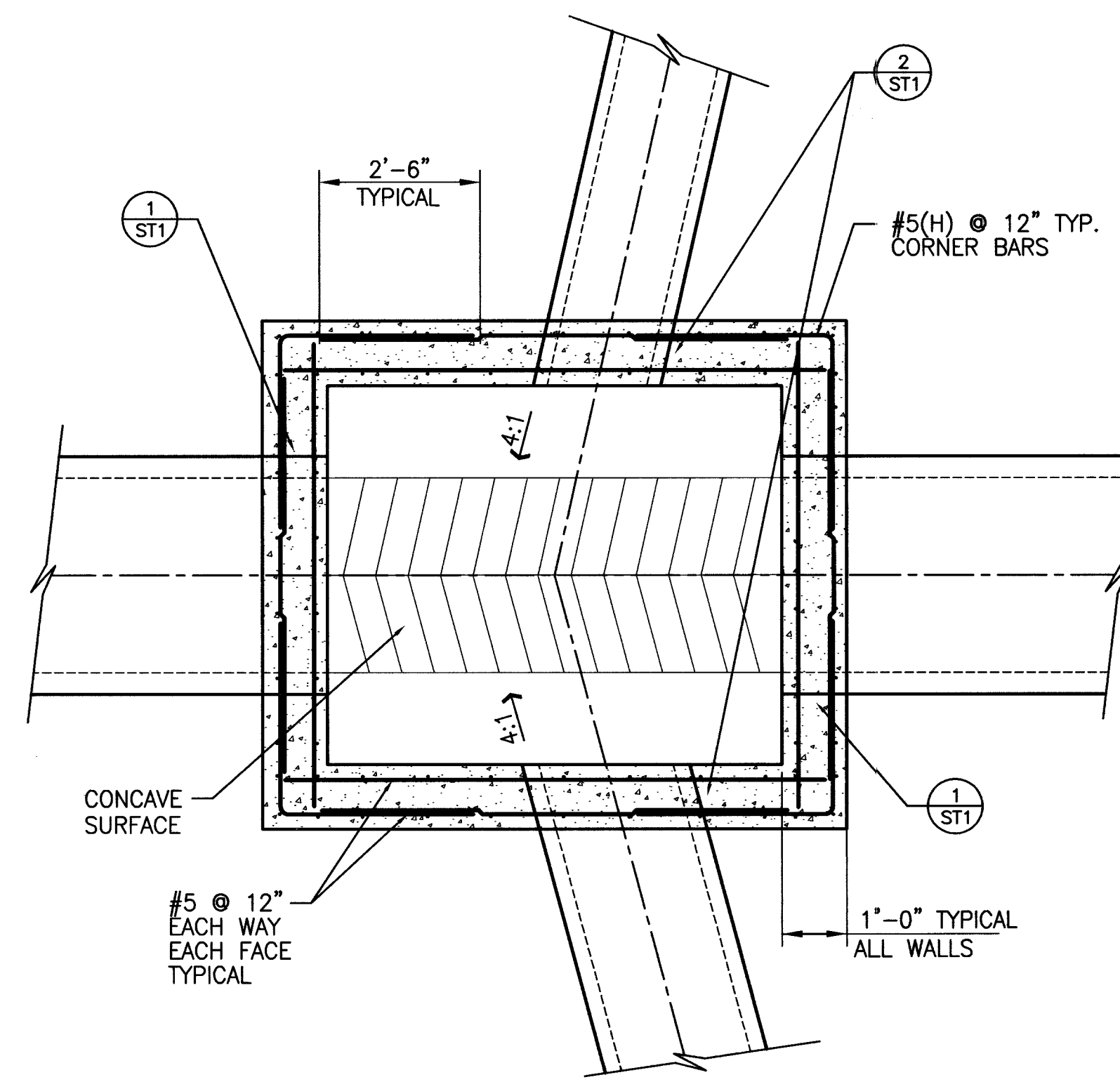
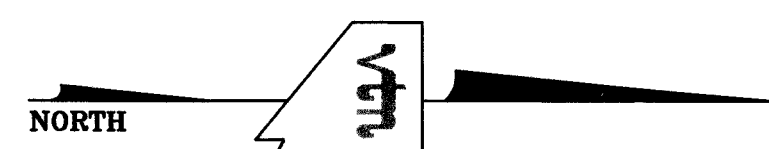


PLAN VIEW - JS-4

1/2" = 1'-0"

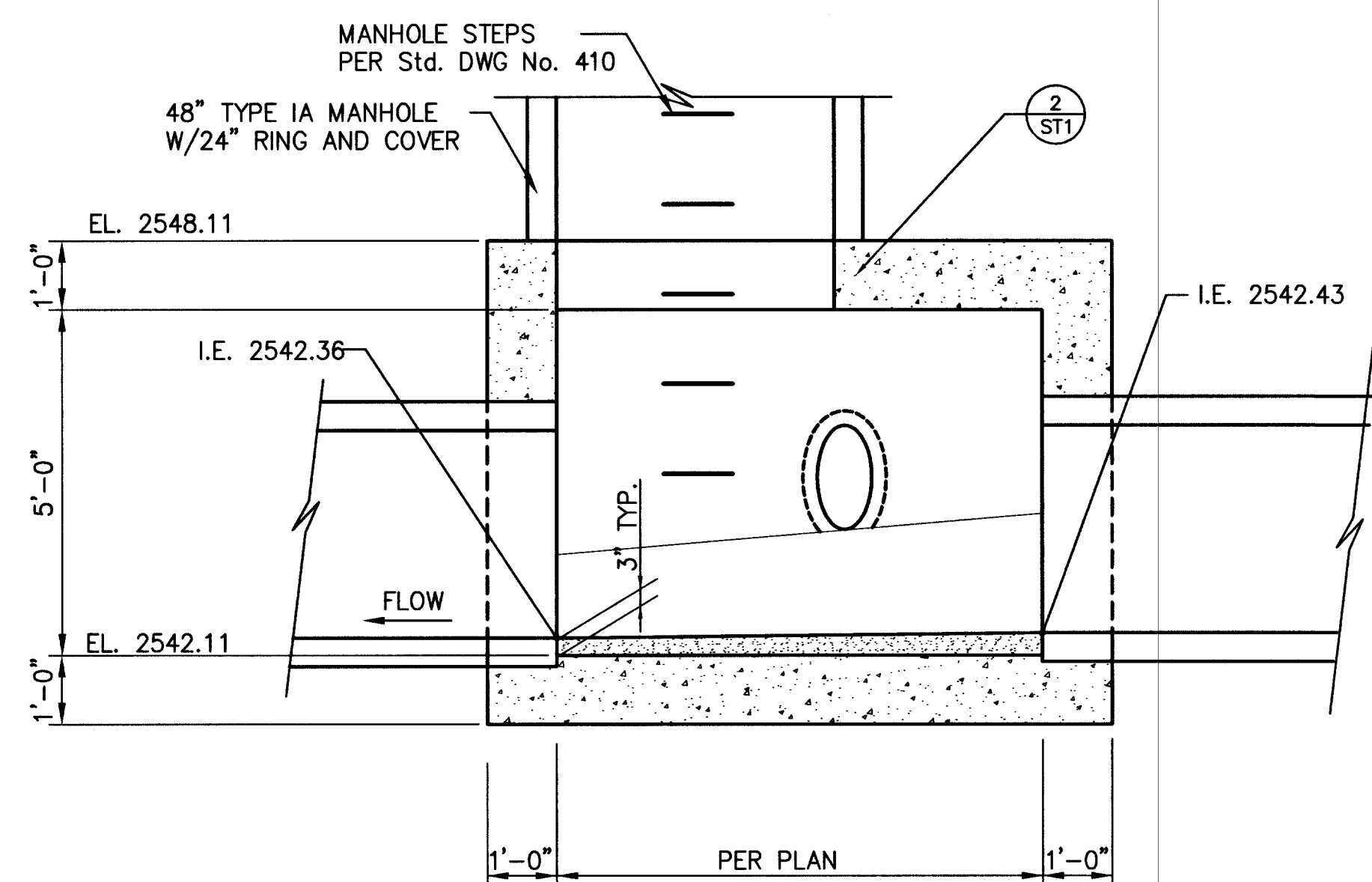
1 ST6



PLAN SECTION

1/2" = 1'-0"

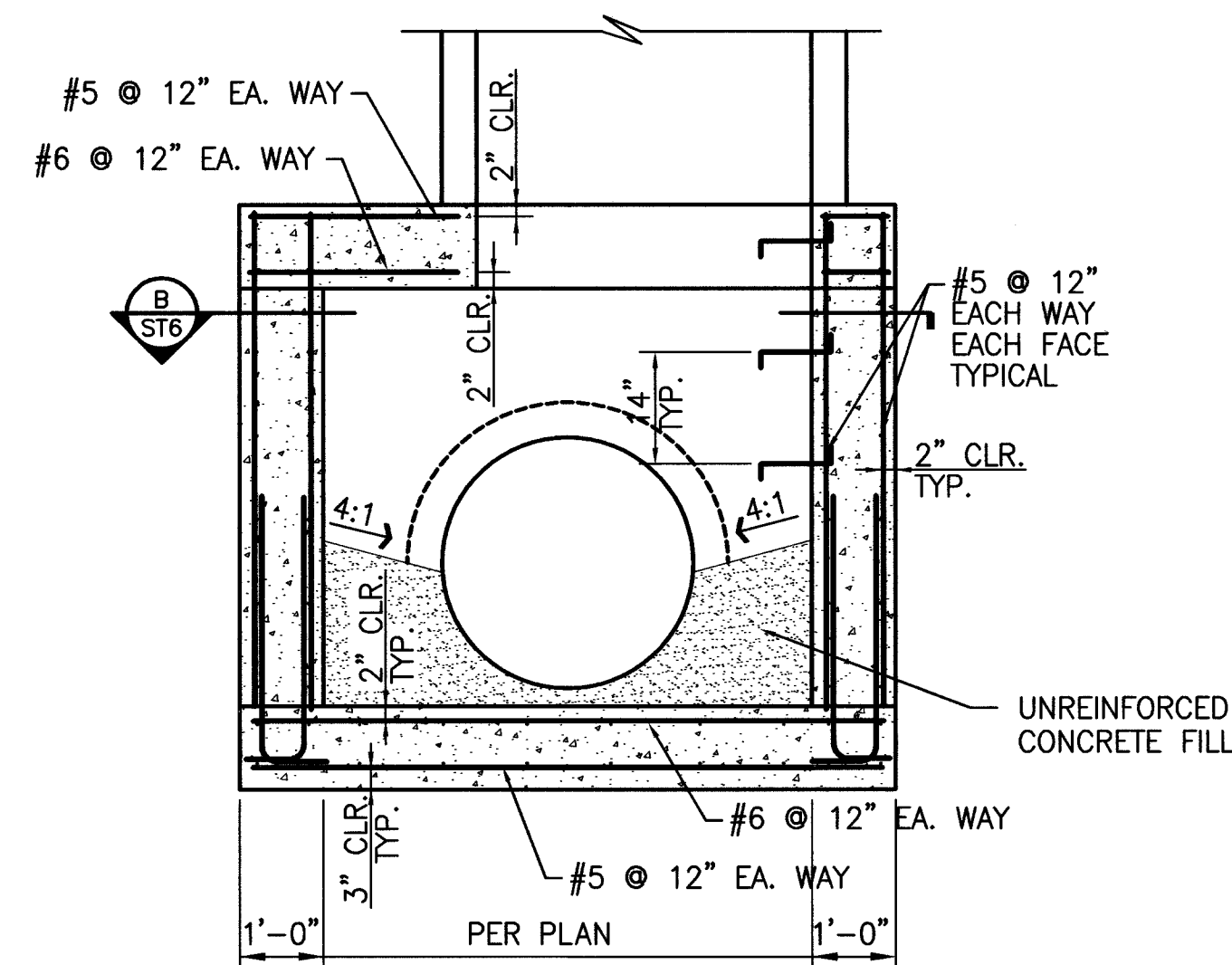
B ST6



SECTION

1/2" = 1'-0"

A ST6



SECTION

1/2" = 1'-0"

C ST6

DEPARTMENT OF PUBLIC WORKS
CITY OF LAS VEGAS

REVISION

DATE

BY

REVISION

CONSULTING ENGINEERS • PLANNERS • LAND SURVEYORS
2727 SOUTH RAINBOW BOULEVARD
LAS VEGAS, NEVADA 89146-5148 PHONE (702) 873-7550 FAX (702) 362-2597

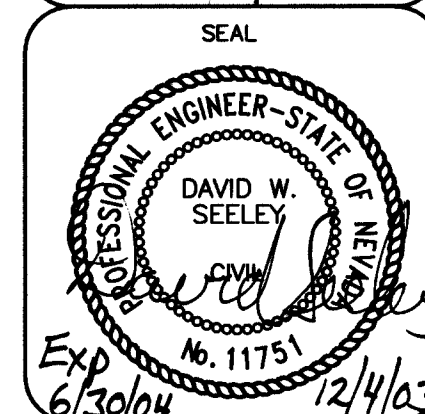


STRUCTURAL DETAILS
JUNCTION STRUCTURE No. 4

"SD1" 243+48.72

DURANGO DRIVE IMPROVEMENTS

TROPICAL TO I-215



WO. NO.	5878
BY	DWS
DATE	12/04/03
SCALE	HORIZ. VERT.
DRAWING	SHEET 19 OF 71 SHEETS
ST6	



R₂H ENGINEERING, INC.
CONSULTING STRUCTURAL ENGINEERS
840 GRER DRIVE, SUITE 320
LAS VEGAS, NEVADA
PHONE (702) 280-7000
FAX (702) 280-7070

01059m83-4y16 D:\41401_1281645433

70692