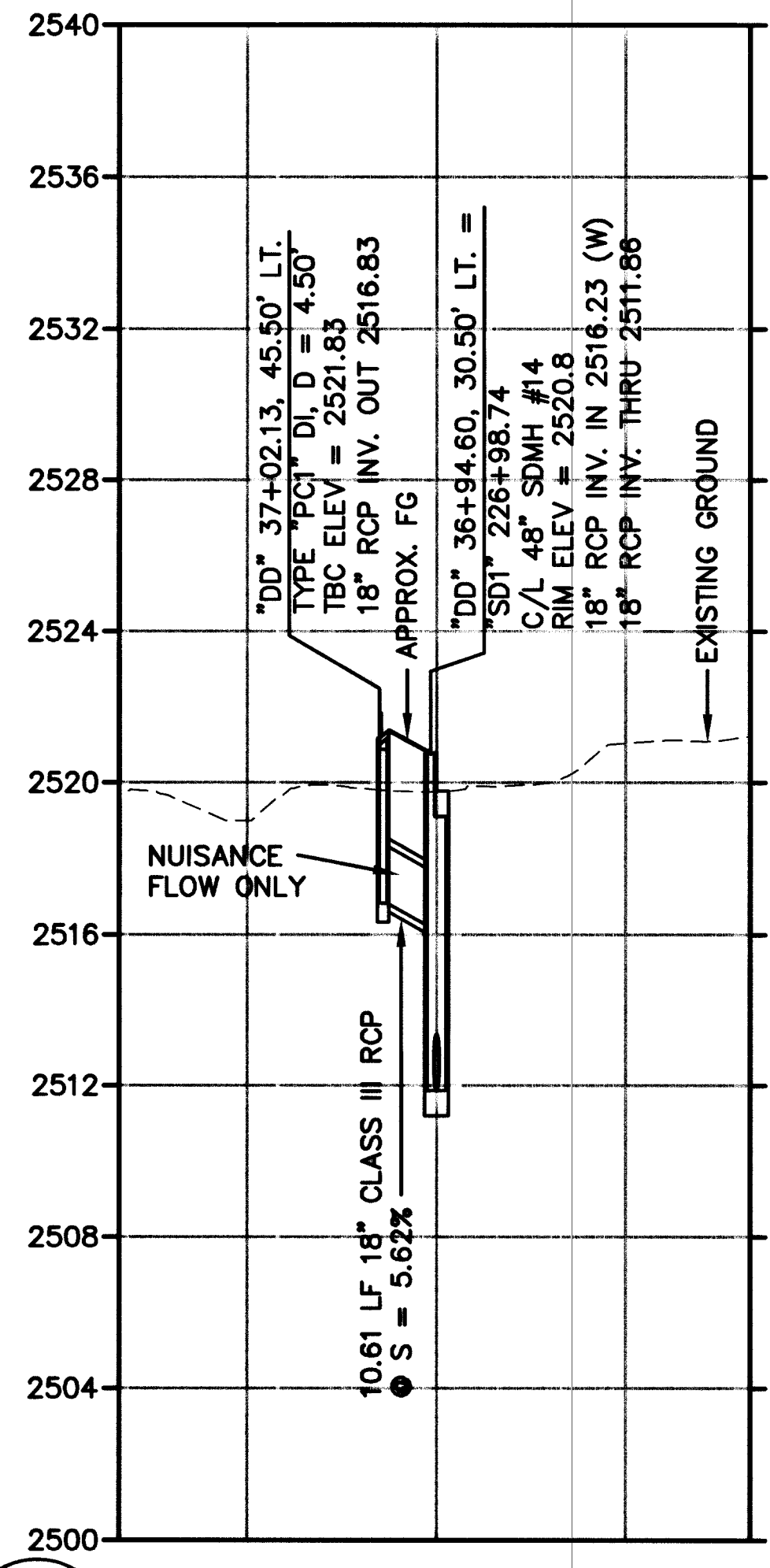
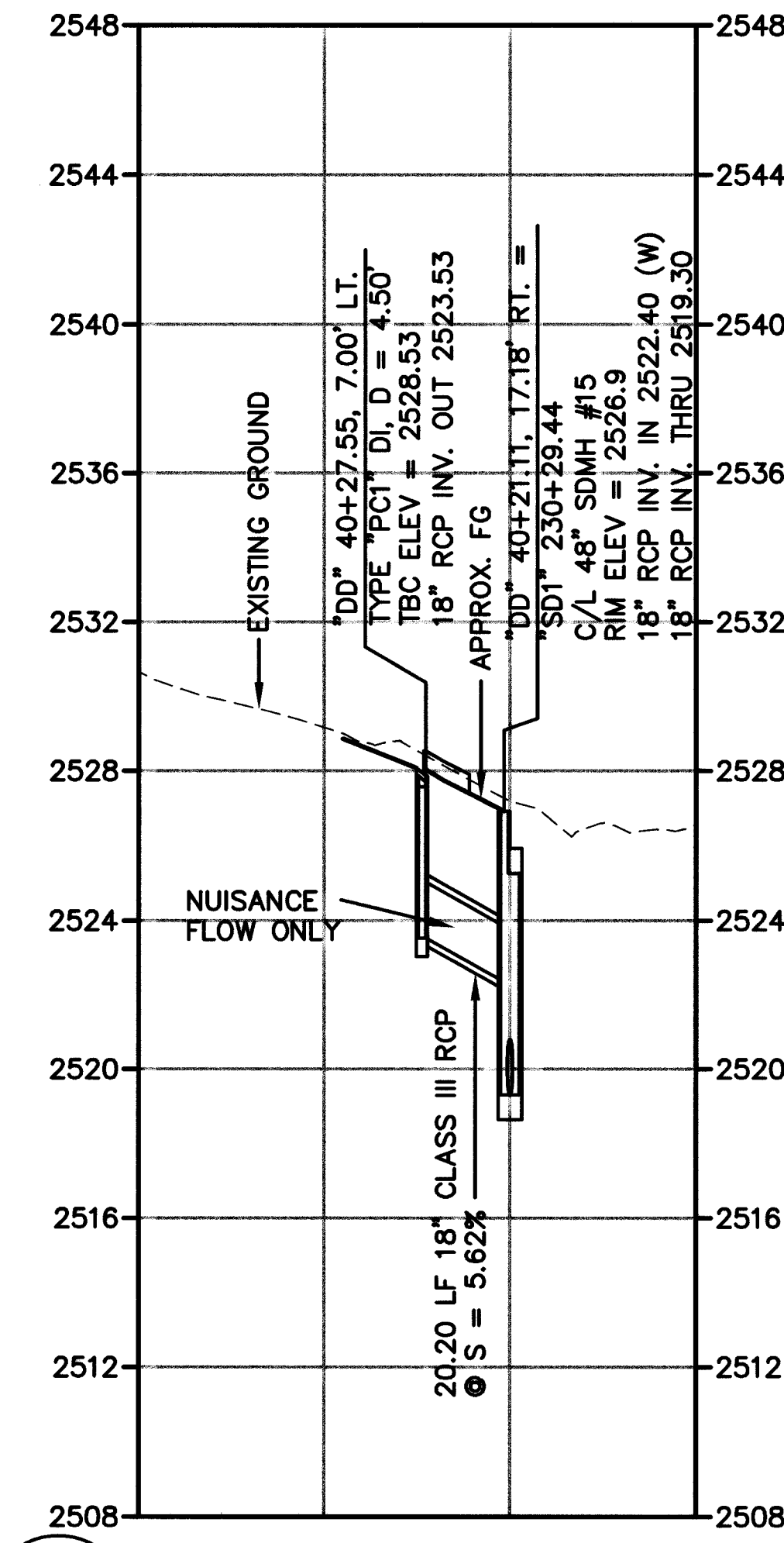


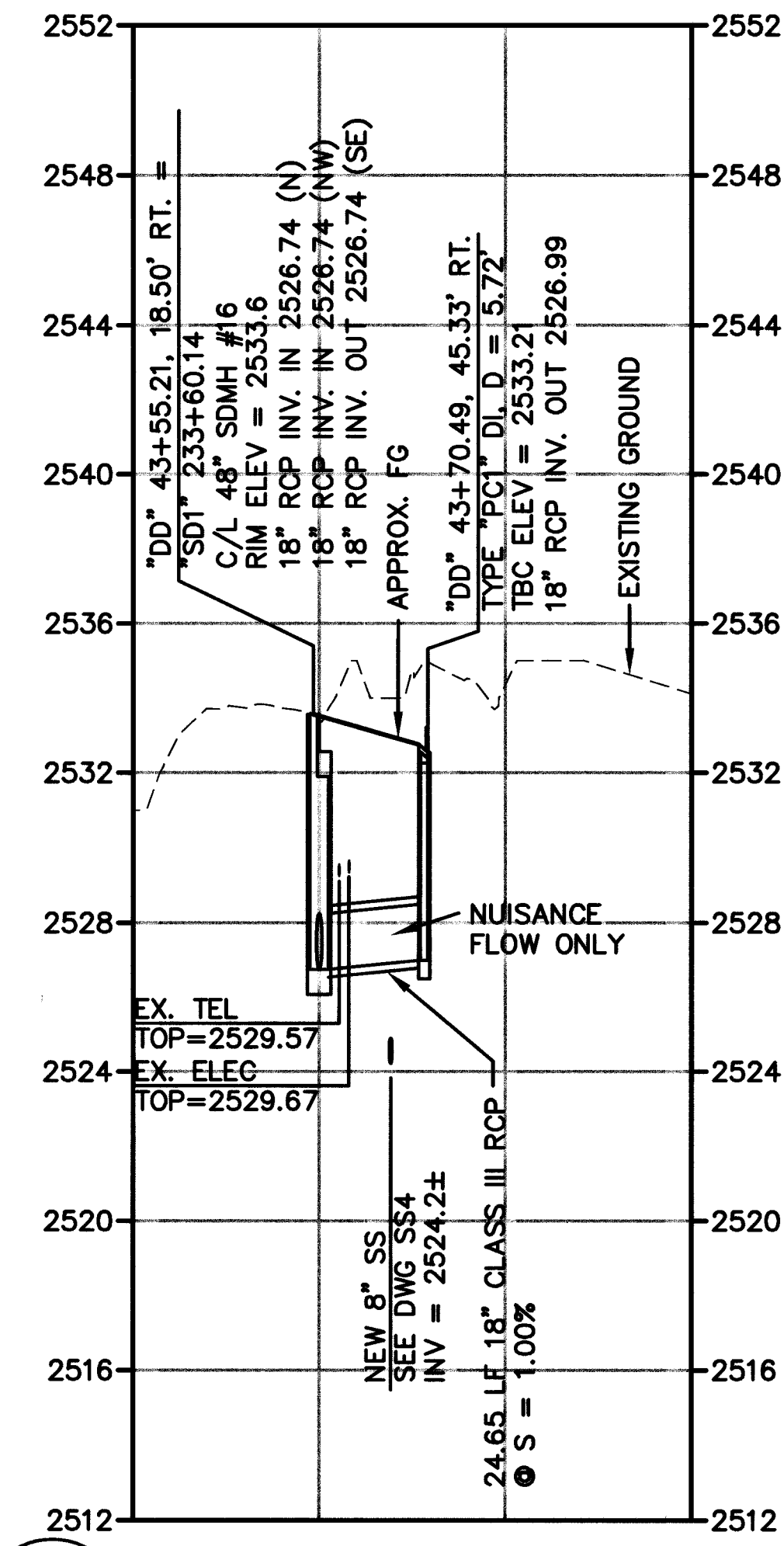
9 "DD" 35+24.45, 19.50' LT



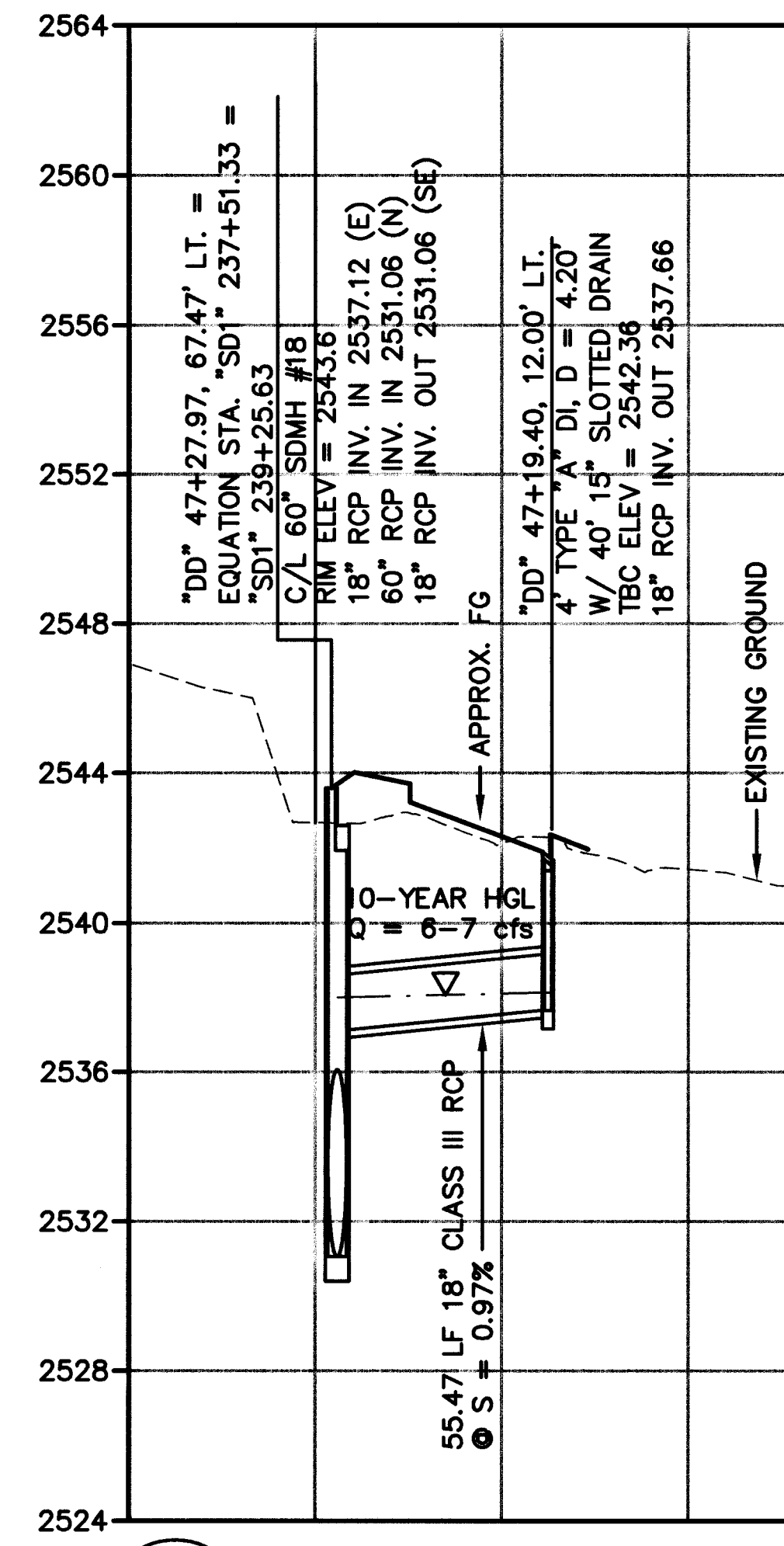
10 "DD" 36+94.60, 30.50' LT



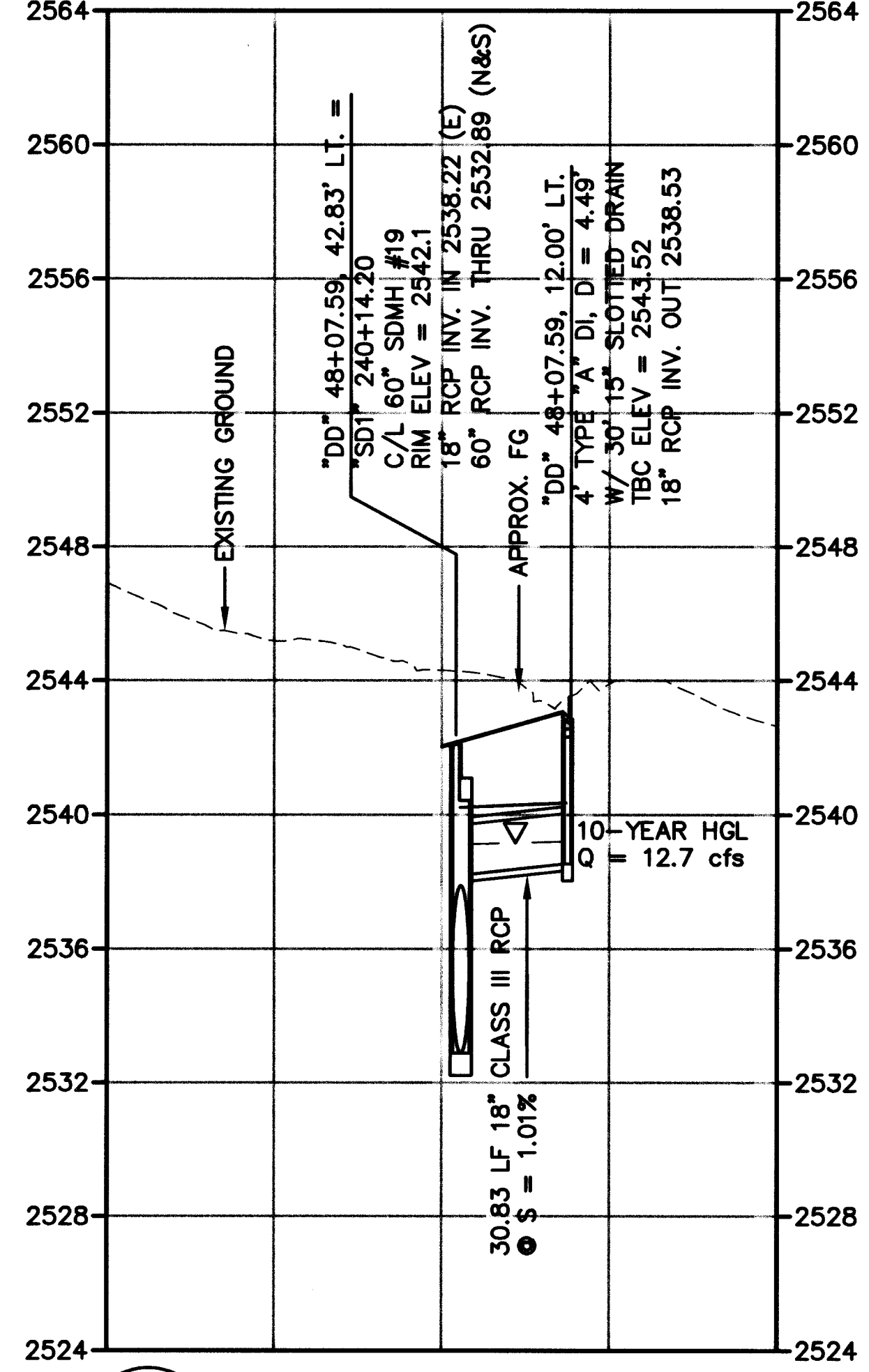
11 "DD" 40+21.11, 17.18' RT



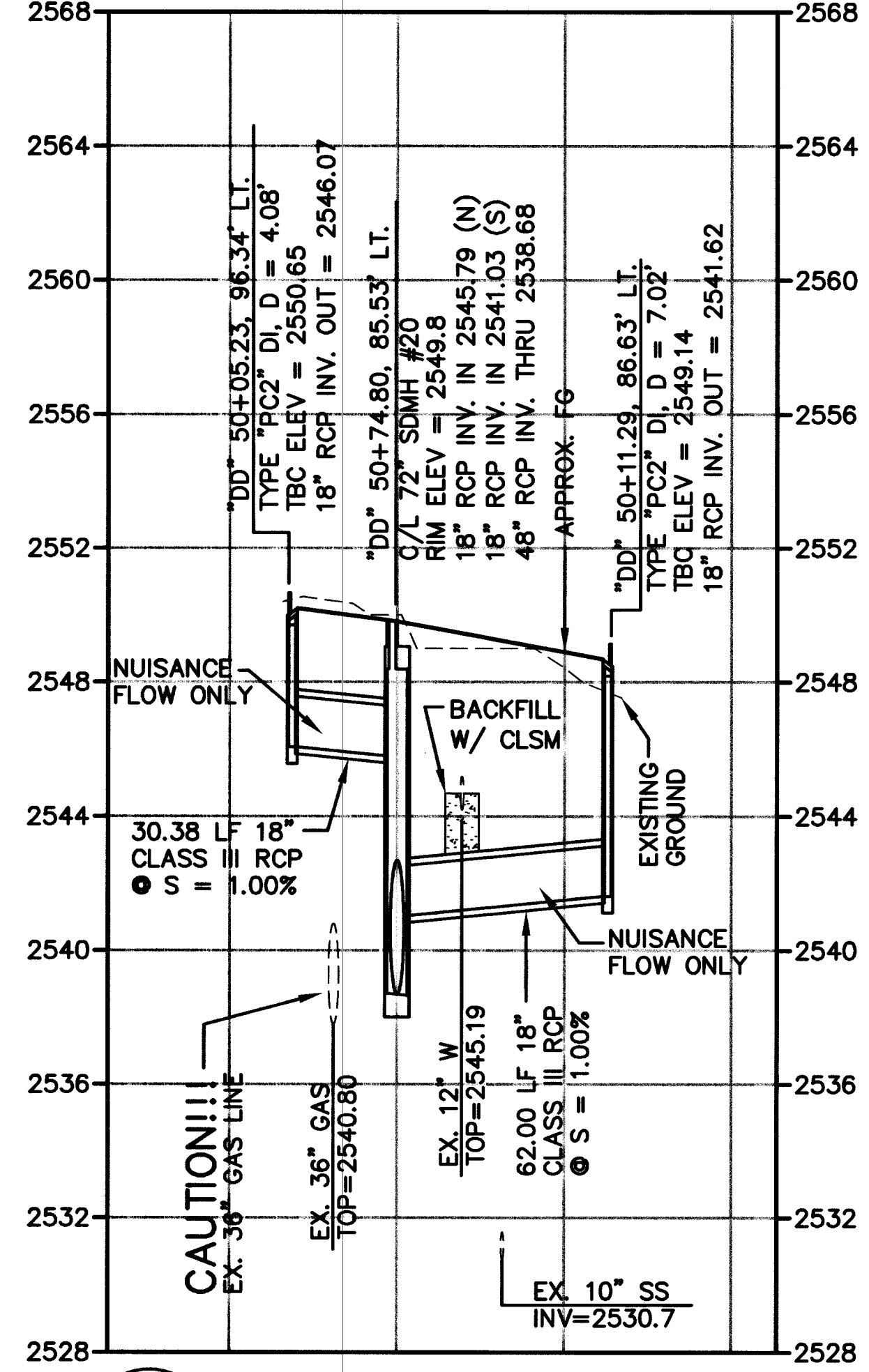
12 "DD" 43+55.21, 18.50' RT



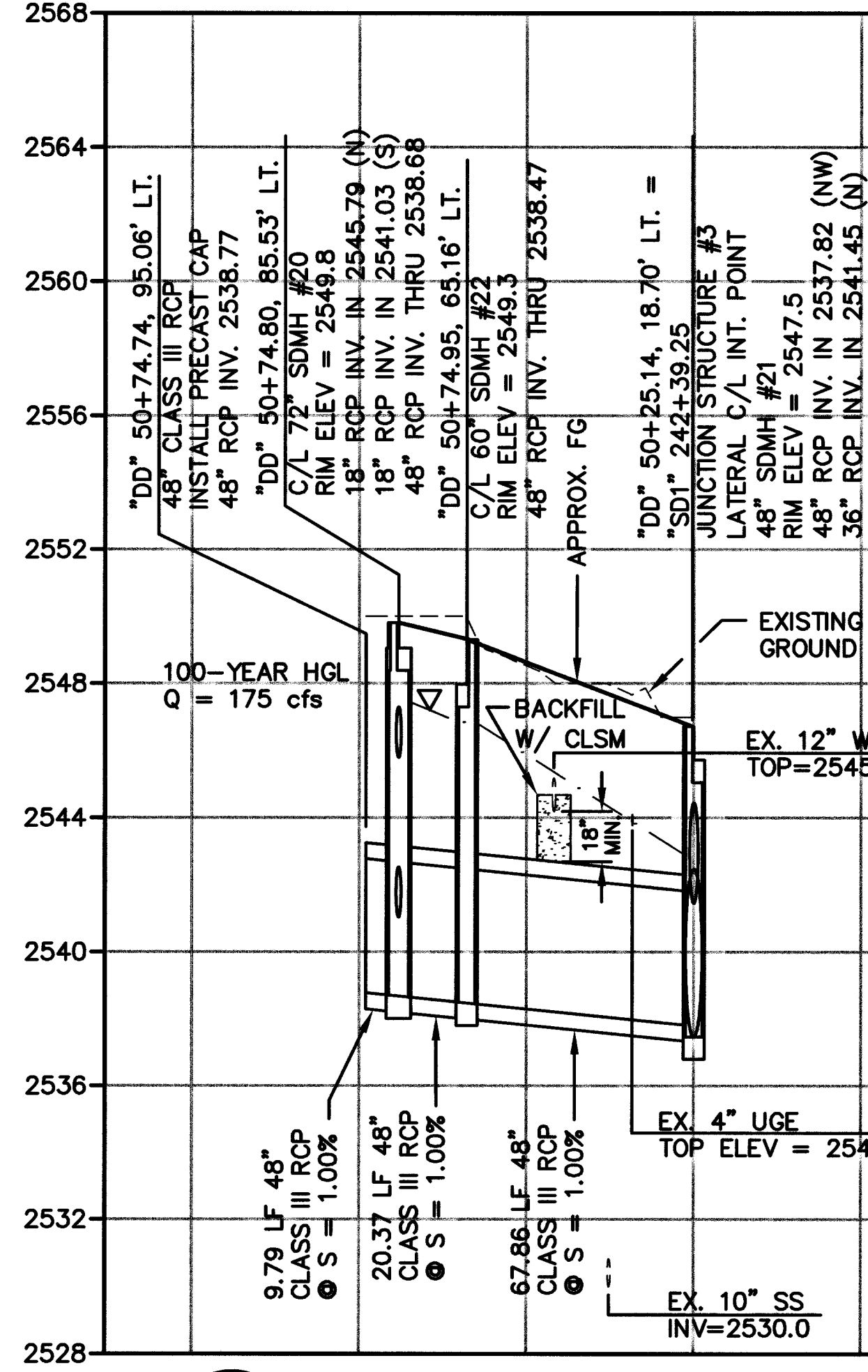
13 "DD" 47+27.97, 75.39' LT



14 "DD" 48+07.59, 12.00' LT



15 "DD" 50+74.80, 85.53' LT



16 "DD" 50+25.14, 16.70' LT

- NOTES**
- SEE DRAWING I2 FOR GENERAL NOTES.
 - SEE DRAWING D1 FOR STORM DRAIN MANHOLE AND DROP INLET SCHEDULE.
 - CONTRACTOR SHALL VERIFY ALL HORIZONTAL AND VERTICAL LOCATIONS OF EXISTING UTILITIES PRIOR TO COMMENCEMENT OF CONSTRUCTION.
 - CONTRACTOR RESPONSIBLE FOR COORDINATION FOR UTILITY RELOCATION'S WITHIN PROPOSED AND EXISTING SIDEWALK, CURB AND GUTTER AREA WITH THE APPROPRIATE UTILITY COMPANY.

APPROVED

Robert J. Morgan
LAS VEGAS VALLEY WATER DISTRICT

12/17/03
DATE

Avoid cutting underground utility lines. It's costly.
2 working days

Call before you Dig

1-800-227-2600
Underground Service Alert (U.S.A.)

Avoid overhead power line contact.
2 working days

Call before you Overhead

1-702-593-6111
Nevada Power Environment and Safety Services Department

DEPARTMENT OF PUBLIC WORKS
CITY OF LAS VEGAS

CONSULTING ENGINEERS • PLANNERS • LAND SURVEYORS
2727 SOUTH RAINBOW BOULEVARD
LAS VEGAS, NEVADA 89146-5148 PHONE (702) 873-7550 FAX (702) 362-2597

vtn nevada

REV	DATE	BY	REVISION

TITLE
STORM DRAIN LATERAL PROFILES

PROJECT
DURANGO DRIVE IMPROVEMENTS

I-215 TO US95

SEAL

PROFESSIONAL ENGINEER-STATE OF NEVADA
JEREMY P. LEAVITT
EXP. 12/30/03
CIVIL
15530

NO. NO. 5678
DESIGNED BY JPL
DRAWN BY BKP
DATE 12/05/03
SCALE HORIZ. 1" = 40'
VERT. 1" = 4'

DRAWING SHEET
SD8 OF 46
71 SHEETS

I:\CAD\PL\BWRK\5678\5678-SLD.LDW

20719