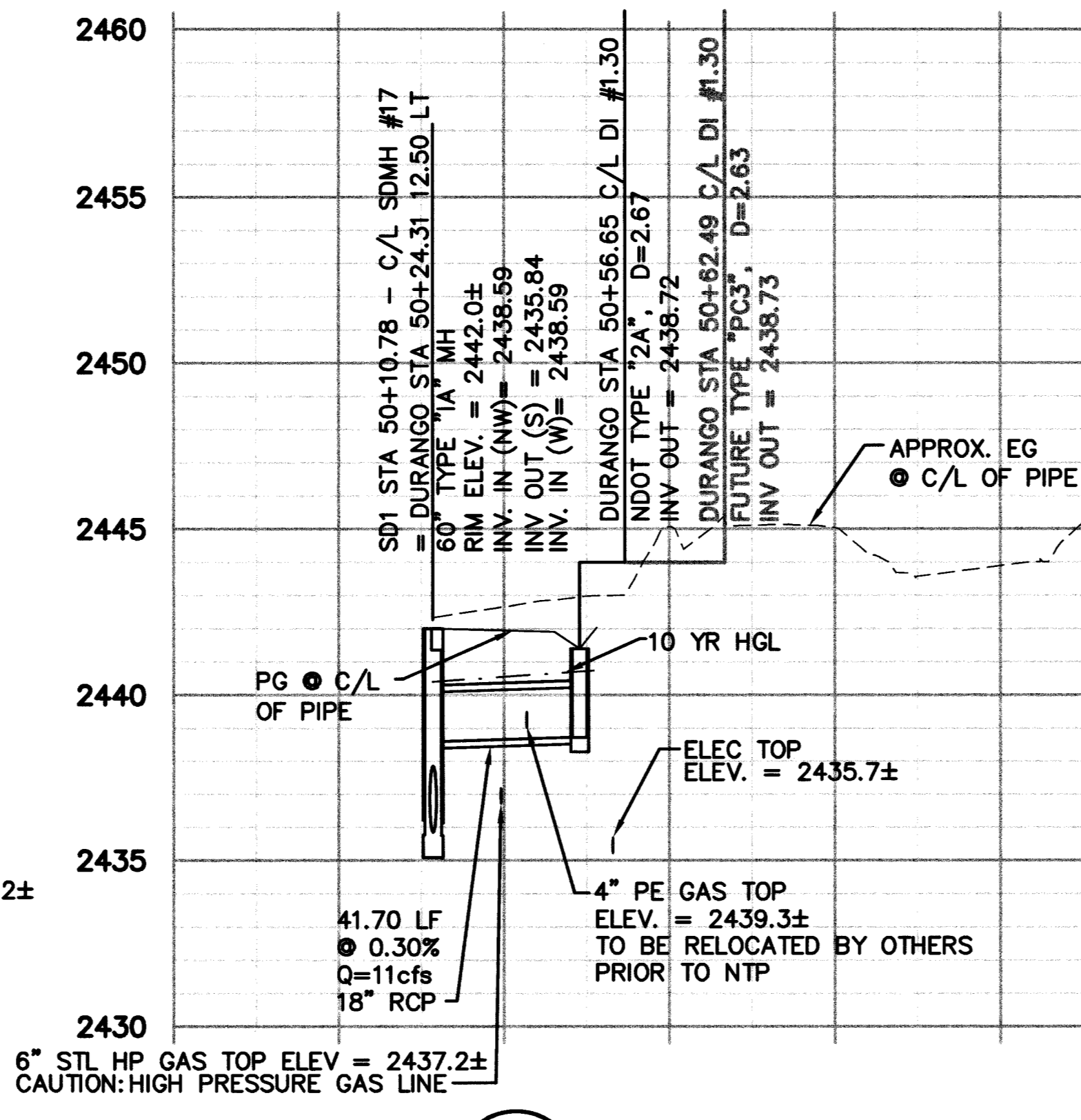


13 STA. 50+24.31

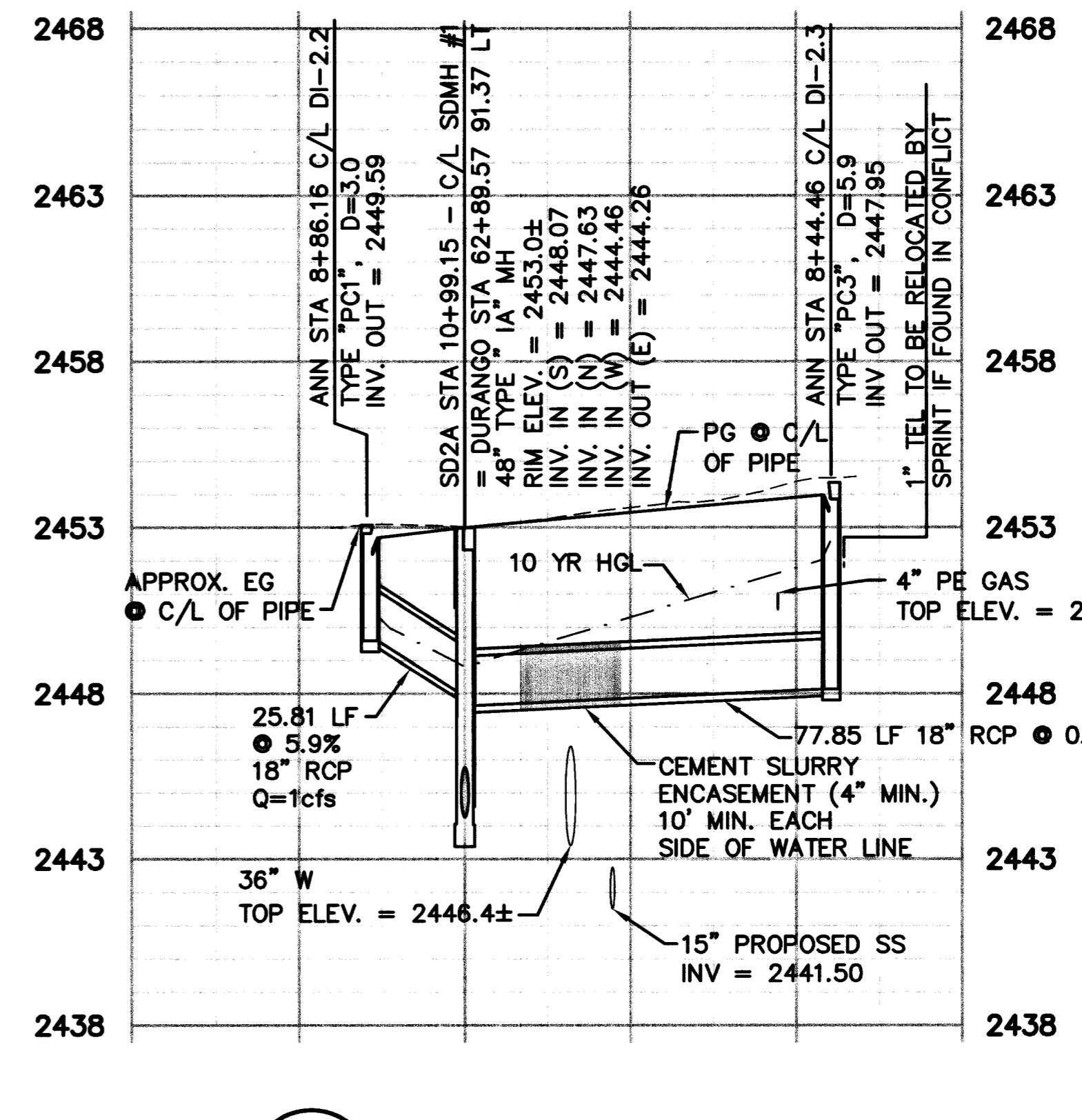
Avoid overhead power line contact.
2 working days
Call before you Overhead
1-702-593-6111
Nevada Power Environment and Safety Services Department



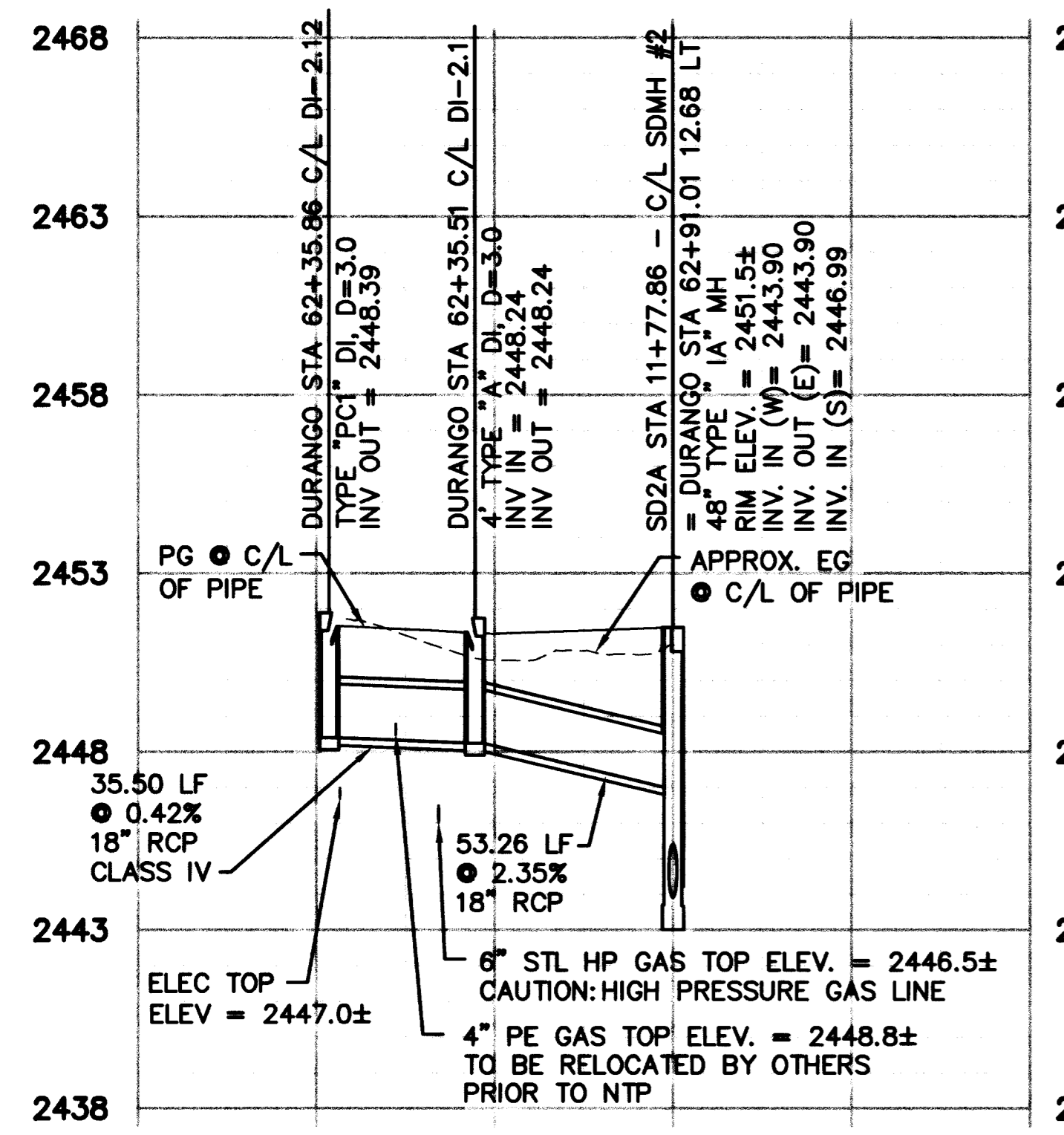
14 STA. 50+24.31

Avoid cutting underground utility lines. It's costly.
2 working days
Call before you Dig
1-800-227-2600
Underground Service Alert (U.S.A.)

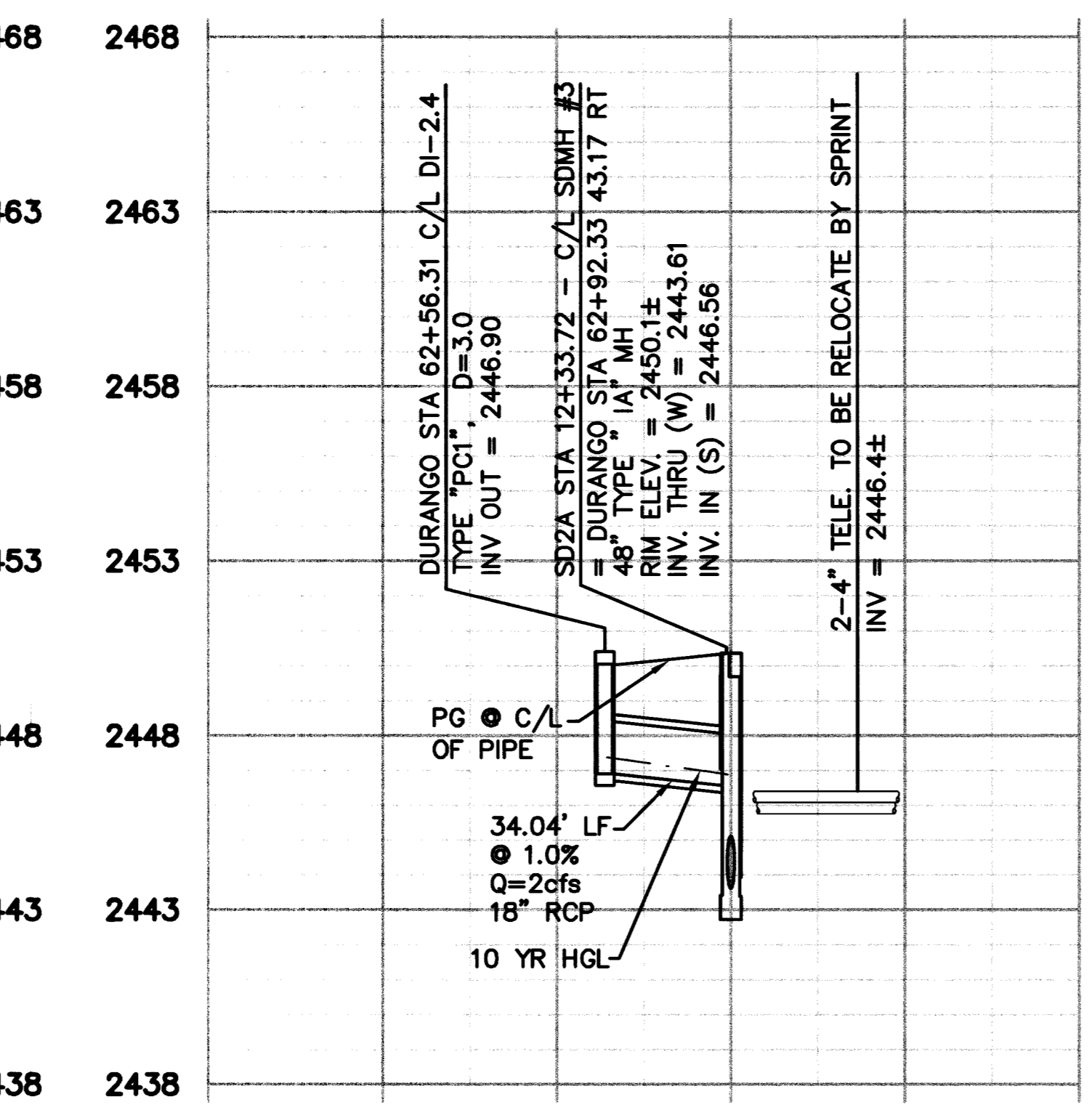
NOTE:
1. ALL RCP SHALL BE CLASS III UNLESS NOTED OTHERWISE.
2. FOR 72" NDOT TYPE "2" MODIFIED MH, SEE NDOT STD. R-4.7.1.
3. FOR NDOT TYPE "2A" DROP INLET, SEE NDOT STD. R-4.2.1.
4. FOR RIPRAP APRON AT NDOT TYPE "2A" DROP INLET, SEE DETAIL ON DWG D15.



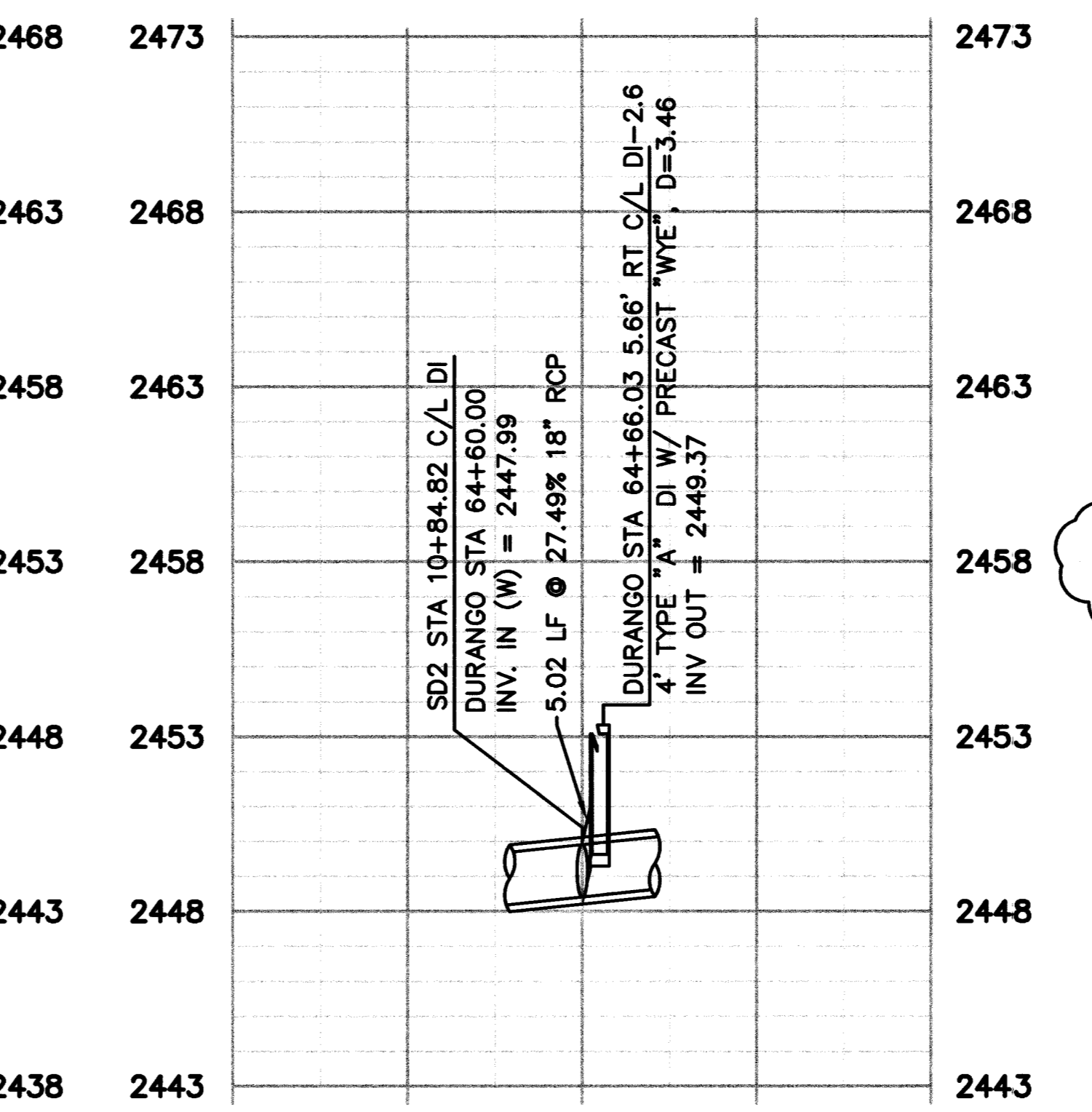
15 STA. 62+89.57



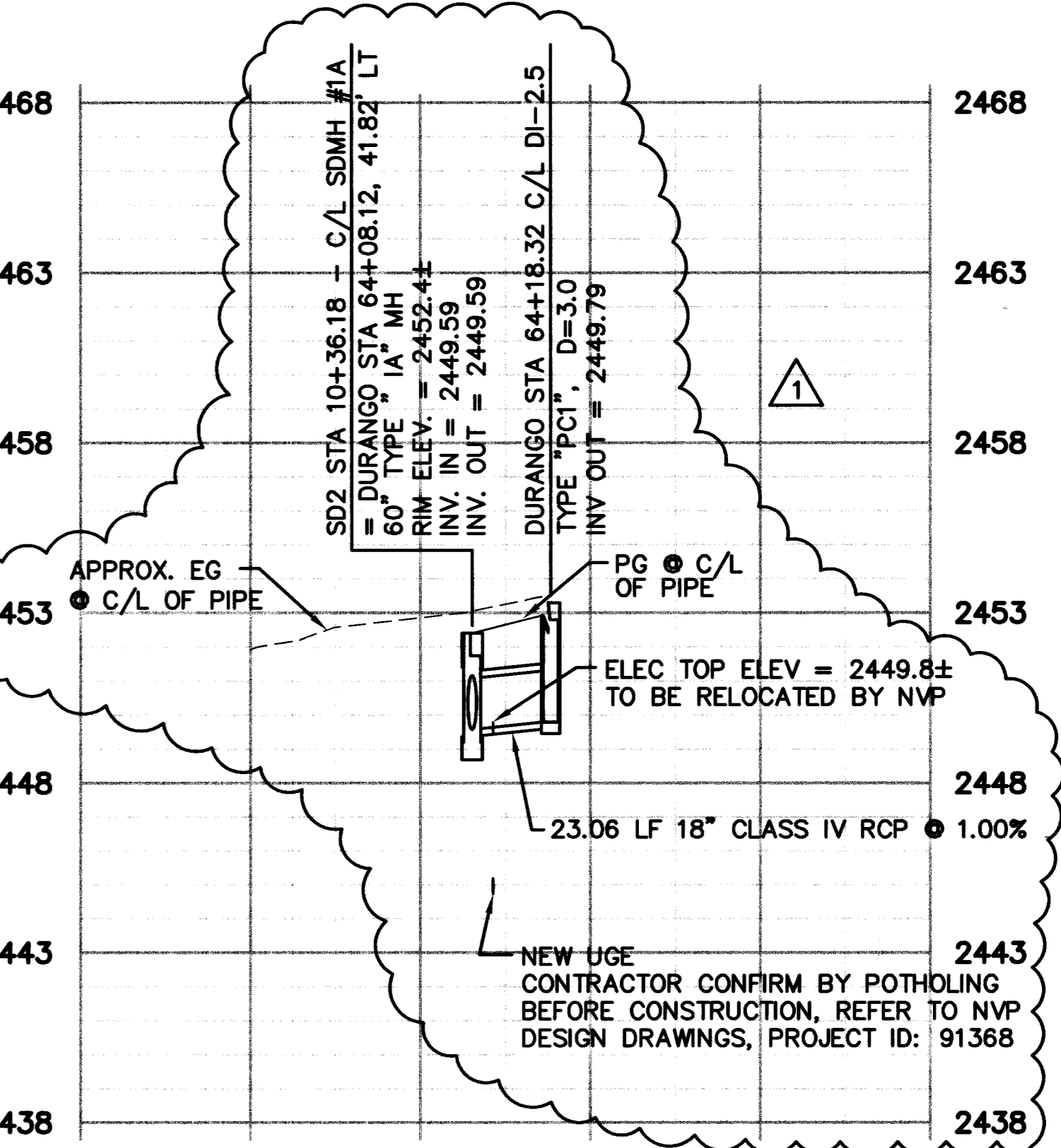
16 STA. 62+91.01



17 STA. 62+92.33



18 STA. 64+66.03



18A STA. 63+76.25

APPROVED
LAS VEGAS VALLEY WATER DISTRICT DATE

DEPARTMENT OF PUBLIC WORKS
CITY OF LAS VEGAS, NEVADA

RECORD DRAWING INFORMATION PROVIDED BY LV PAVING
REVISED LATERAL PROFILE
DATE 7/1/04
BY LW
DATE 02/25/03
REV 1

CONSULTING ENGINEERS • PLANNERS • LAND SURVEYORS
LAS VEGAS, NEVADA 89102-5148 PHONE (702) 873-7550 FAX (702) 362-2597

vtn nevada

STORM DRAIN LATERAL PROFILES
DURANGO DRIVE
DURANGO DRIVE IMPROVEMENTS
LONE MOUNTAIN ROAD TO TROPICAL PARKWAY

ORIGINAL CONSTRUCTION DRAWINGS ARE ON FILE WITH THE CITY OF LAS VEGAS. THE DOCUMENTS WERE SEALED ON 2/26/03 BY KEN D. GILBRETH UNDER LICENSE NO. 9177

SCALE: HORIZ. 1"=40'
VERT. 1"=4'

DRAWING SHEET SD11 OF 84 SHEETS

NO. 5346
BY JPL
DATE 08/13/02
SCALE: HORIZ. 1"=40'
VERT. 1"=4'

INFORMATION SUPPLIED BY CONTRACTOR - APRIL 2004

VEWS: SDPT
E:\CAD\PROJECTS\3461\3461-LAT.DWG