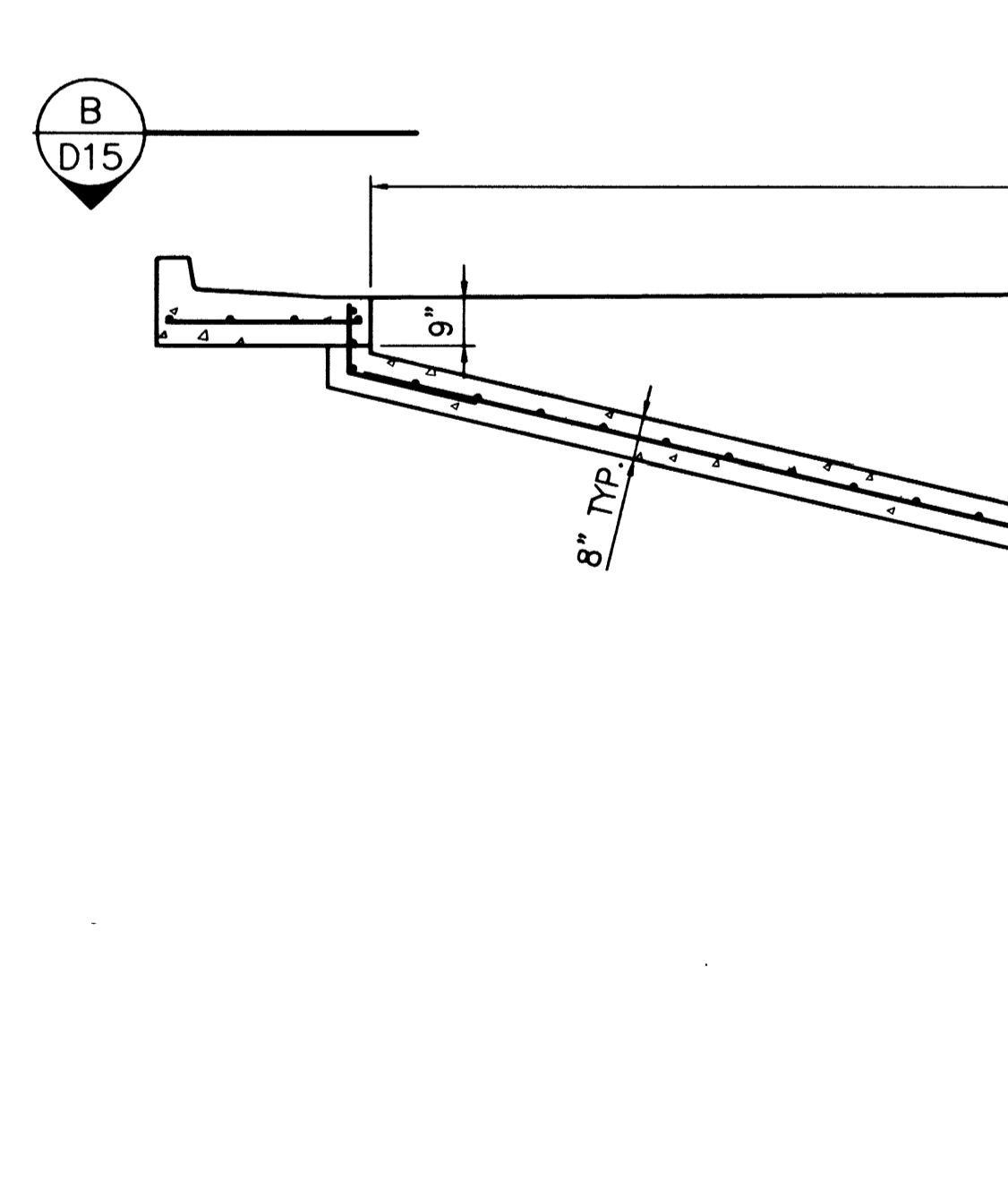


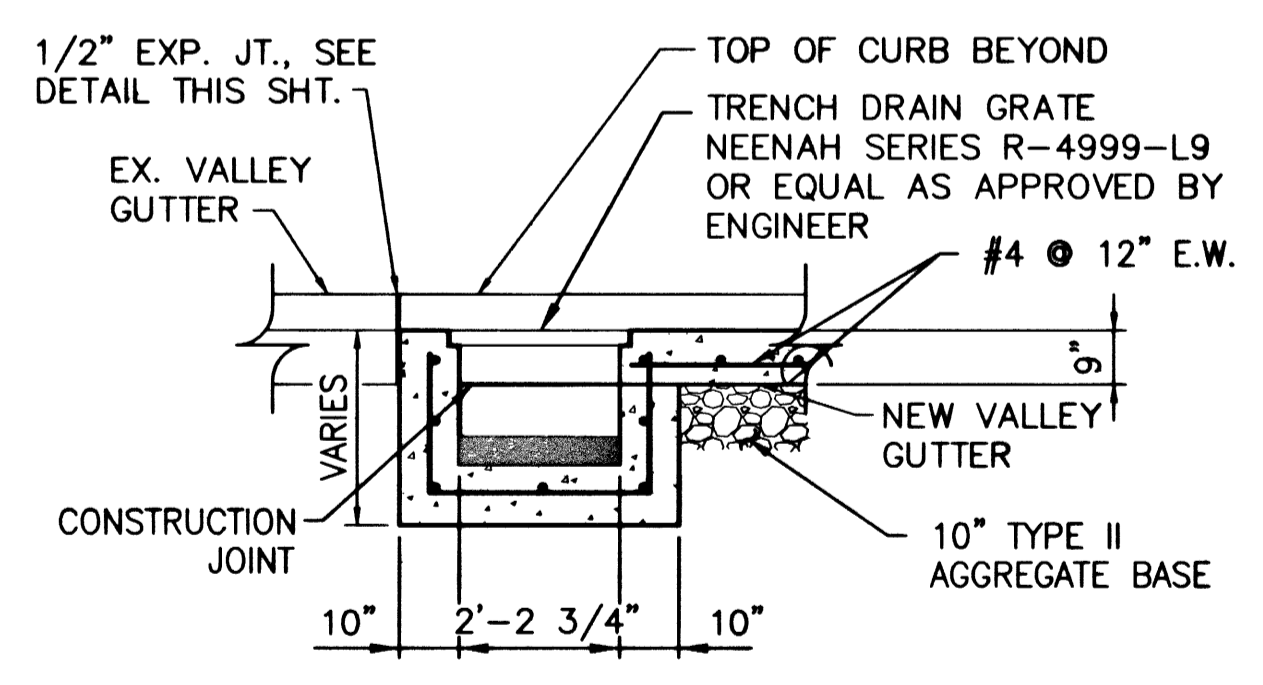
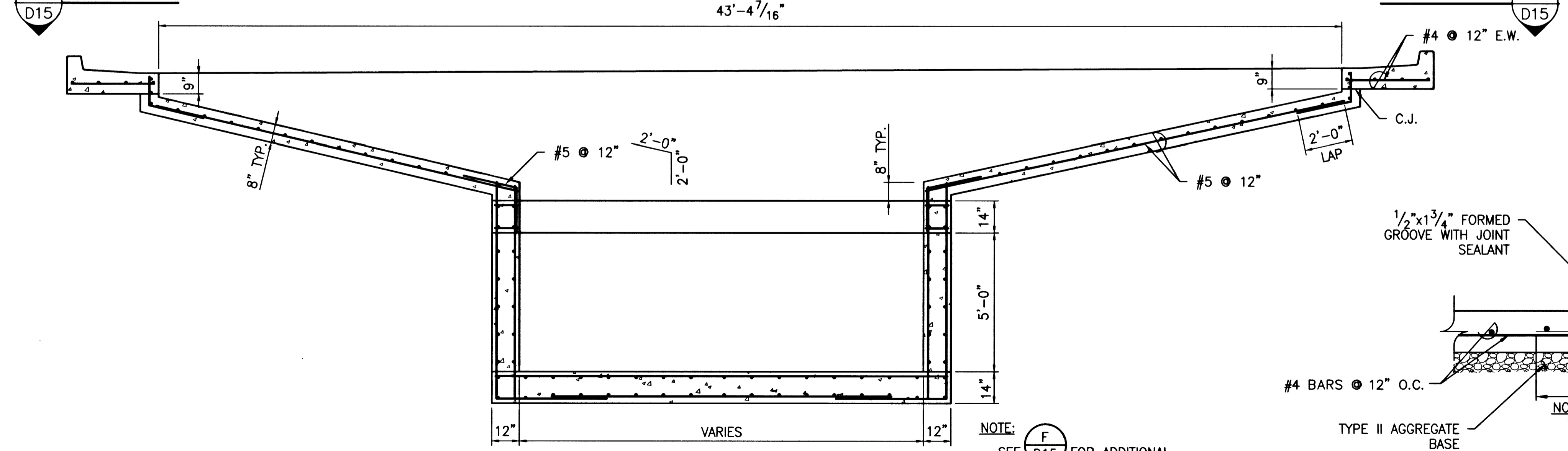
CONTROL JOINT (CJ) DETAIL

SCALE: N.T.S.



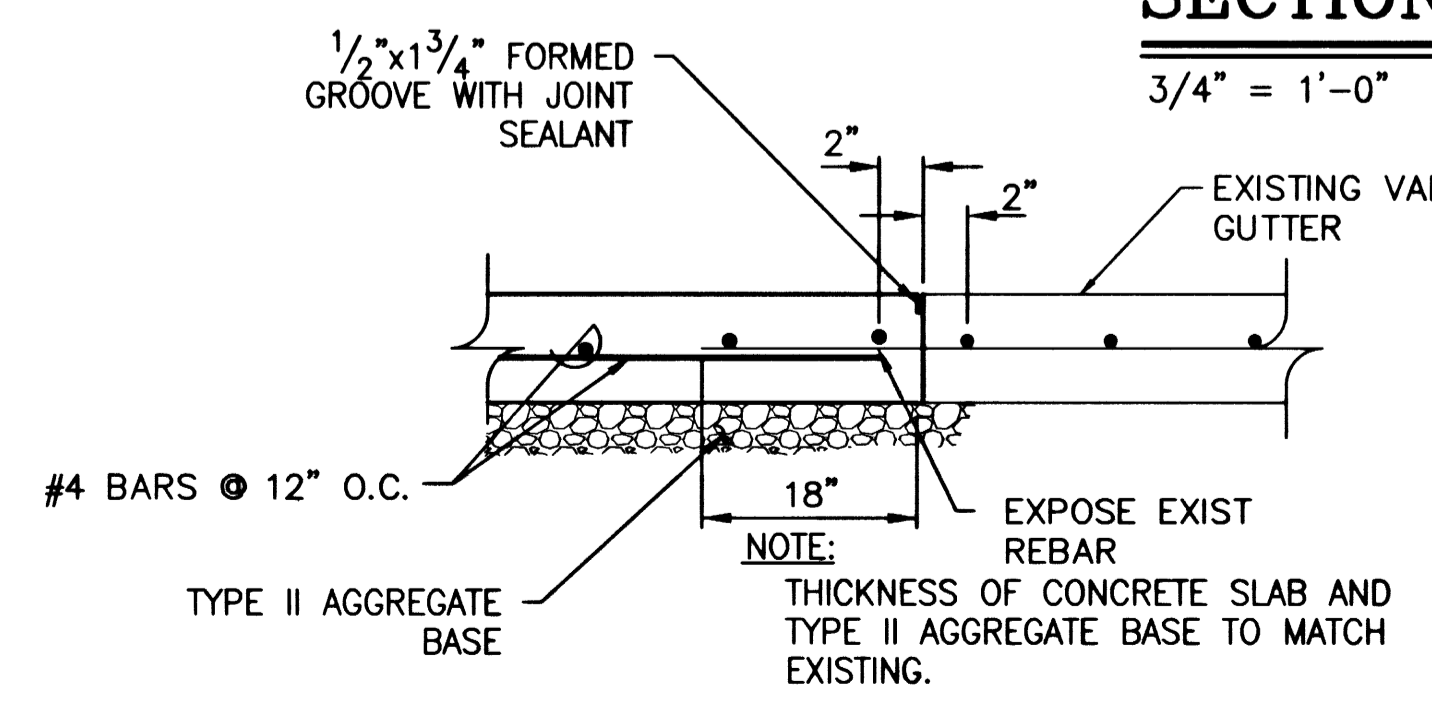
PLAN TRENCH VANE GRATE

3/8" = 1'-0"



SECTION

3/4" = 1'-0"

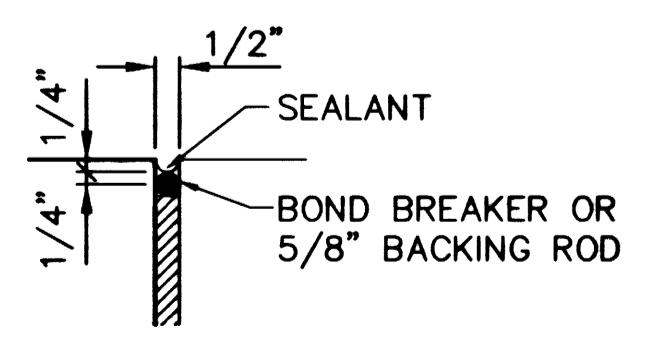


SECTION

3/4" = 1'-0"

EXPANSION JOINT DETAIL

3/4" = 1'-0"



NOTE:
TACK WELD ALL VANE GRATES UNLESS NOTED OTHERWISE.

REVISION

NO.	DATE	BY

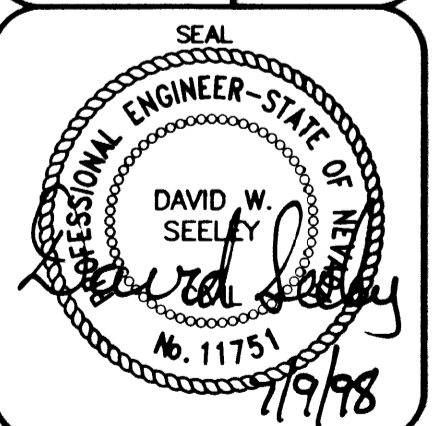
DEPARTMENT OF PUBLIC WORKS
CITY OF LAS VEGAS

vtm nevada

R2H
R2H • CB&L ENGINEERING
Consulting Structural Engineers
100 W. WILLOW, SUITE 200
LAS VEGAS, NV 89102
(702) 735-7000
Fax: (702) 735-7000

TITLE
JUNCTION STRUCTURE
AND VANE GRATE TRENCH
GILMORE STA. 9+38.85, 2' LT.

PROJECT
DURANGO DRIVE IMPROVEMENTS
CHEYENNE AVENUE TO LONE MOUNTAIN ROAD



NO. NO.	5249
BY	WSW
DATE	7/17/98
SCALE	HORIZ. VERT.
DRAWING	SHEET 20 OF 108 SHEETS

D14

98072D14.dwg 7-9-98 8:57:05 am EST

27423