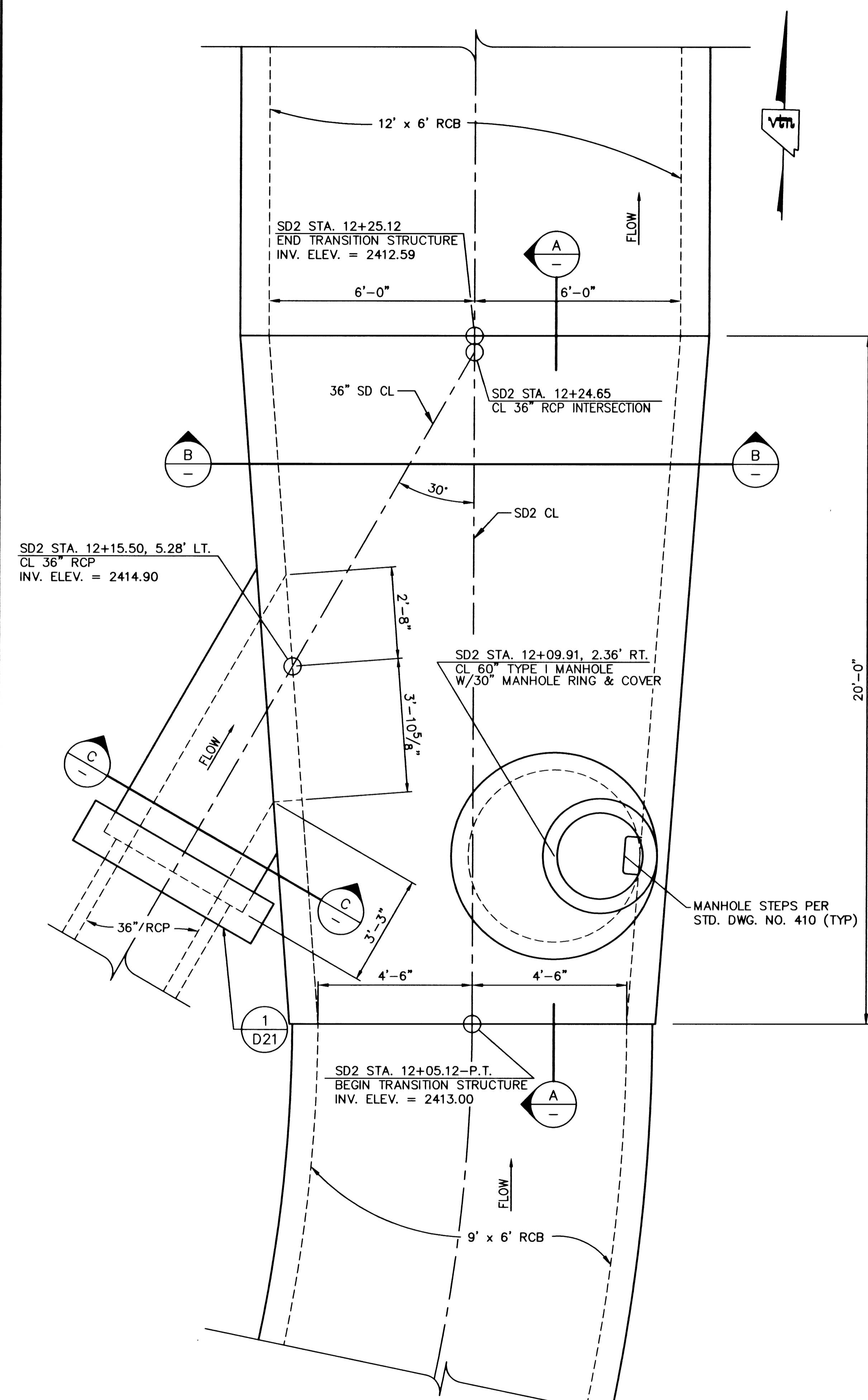
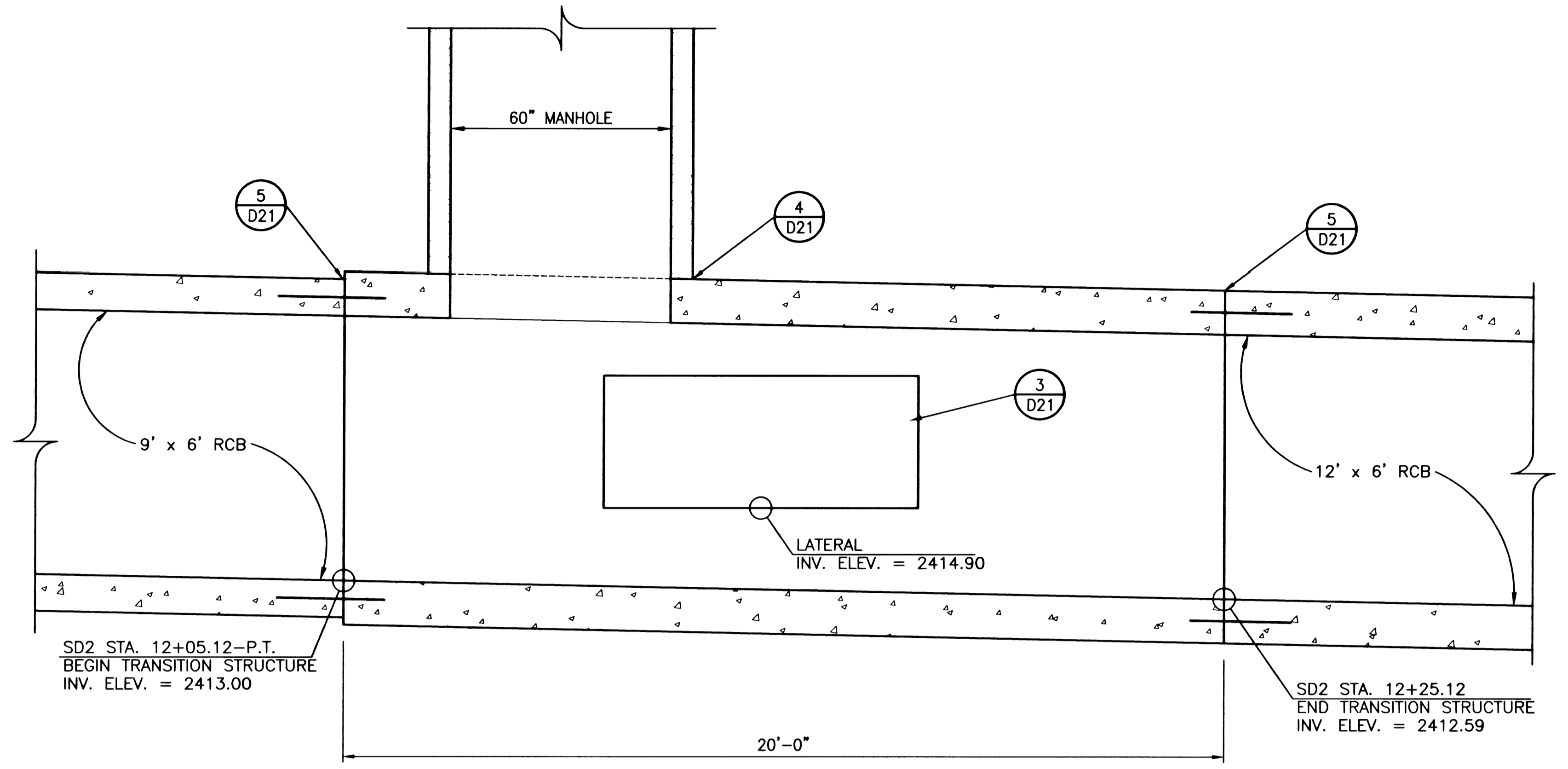


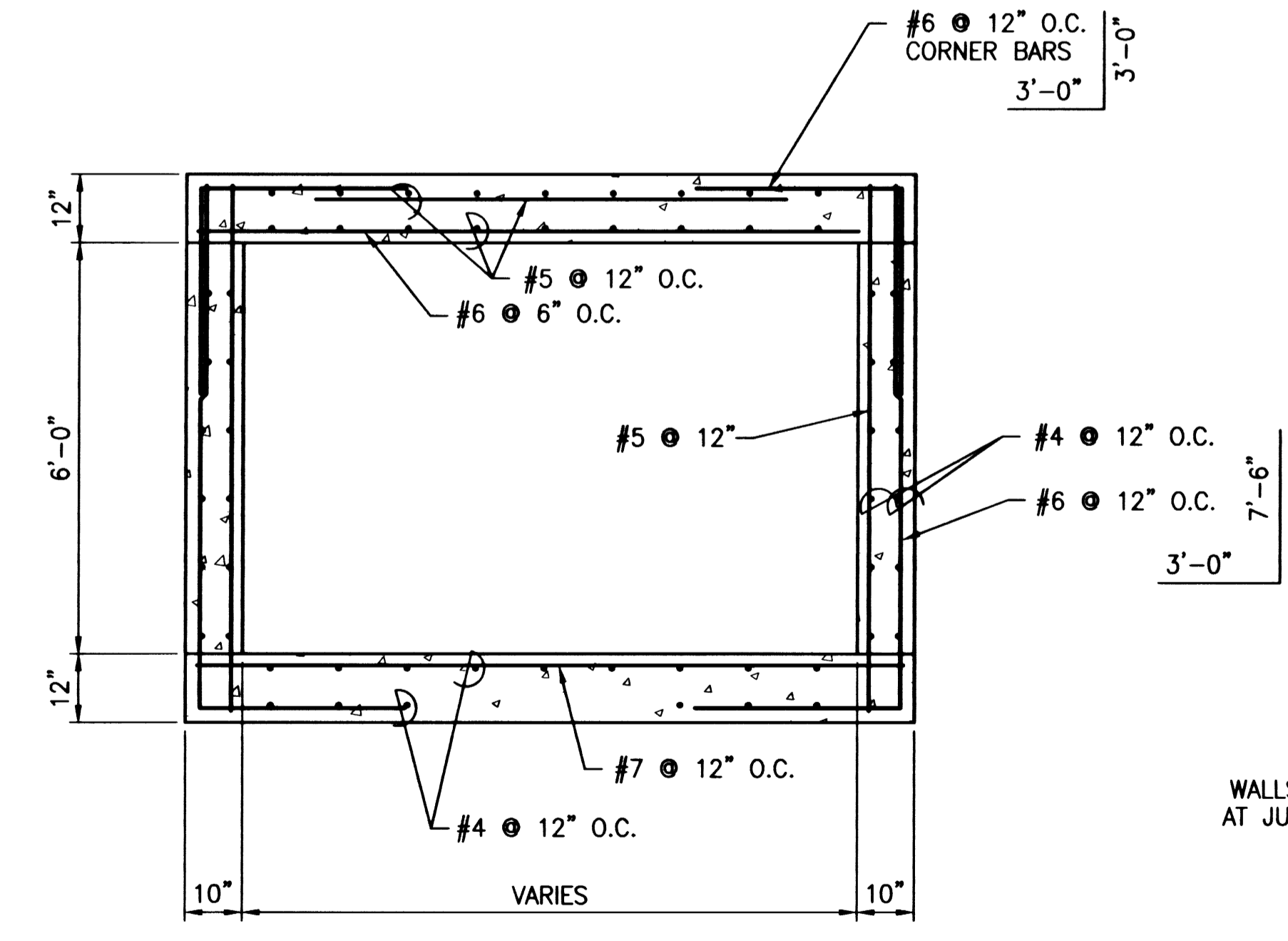
98072D10.dwg 61798 84535



**PLAN VIEW**  
1/2" = 1'-0"

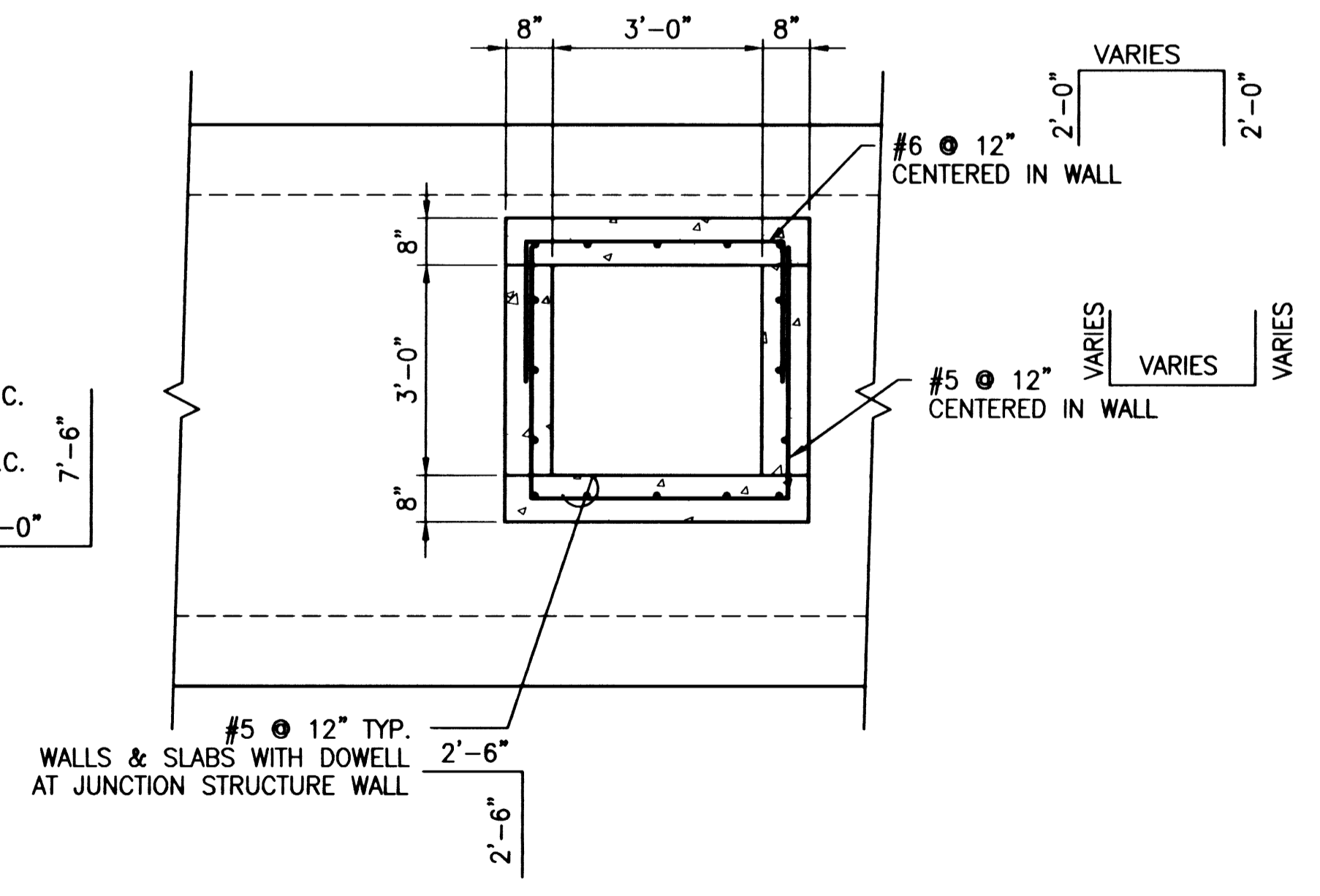


**SECTION**  
1/2" = 1'-0"



NOTE:  
REINFORCEMENT SHOWN IS TYPICAL FOR  
ALL WALLS & SLABS

**SECTION**  
1/2" = 1'-0"



**SECTION**  
1/2" = 1'-0"

REVISION

REV	DATE	BY

DEPARTMENT OF PUBLIC WORKS  
CITY OF LAS VEGAS

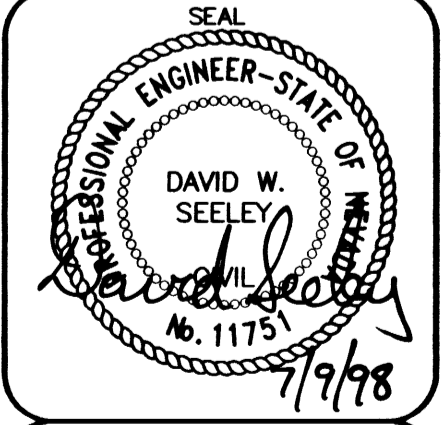
**vtm** nevada

**R2H**

**R.P. CB&L ENGINEERING**  
Consulting Structural Engineers  
840 CEDAR CIRCLE, SUITE 300  
LAS VEGAS, NEVADA 89115  
PHONE: (702) 885-7000  
FAX: (702) 885-7000

TITLE  
**STRUCTURAL DETAILS**  
**JUNCTION STRUCTURE**  
SD2 STA. 12+05.12 TO 12+25.12

PROJECT  
**DURANGO DRIVE IMPROVEMENTS**  
CHEYENNE AVENUE TO LONE MOUNTAIN ROAD



WO NO. **5249**  
BY **WSW**  
DATE **7/17/98**  
SCALE: HORIZ. VERT.  
DRAWING SHEET **16** OF **108** SHEETS  
**D10**

2749