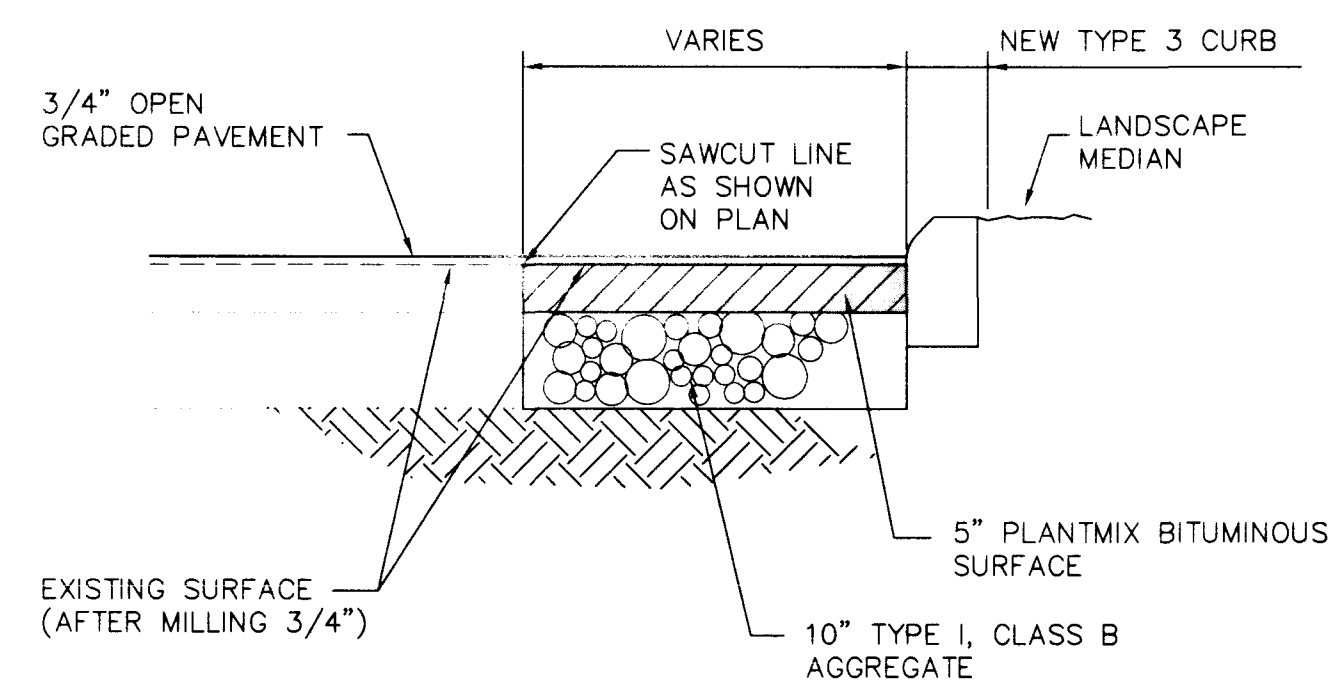


SECTION OF IMPROVEMENT

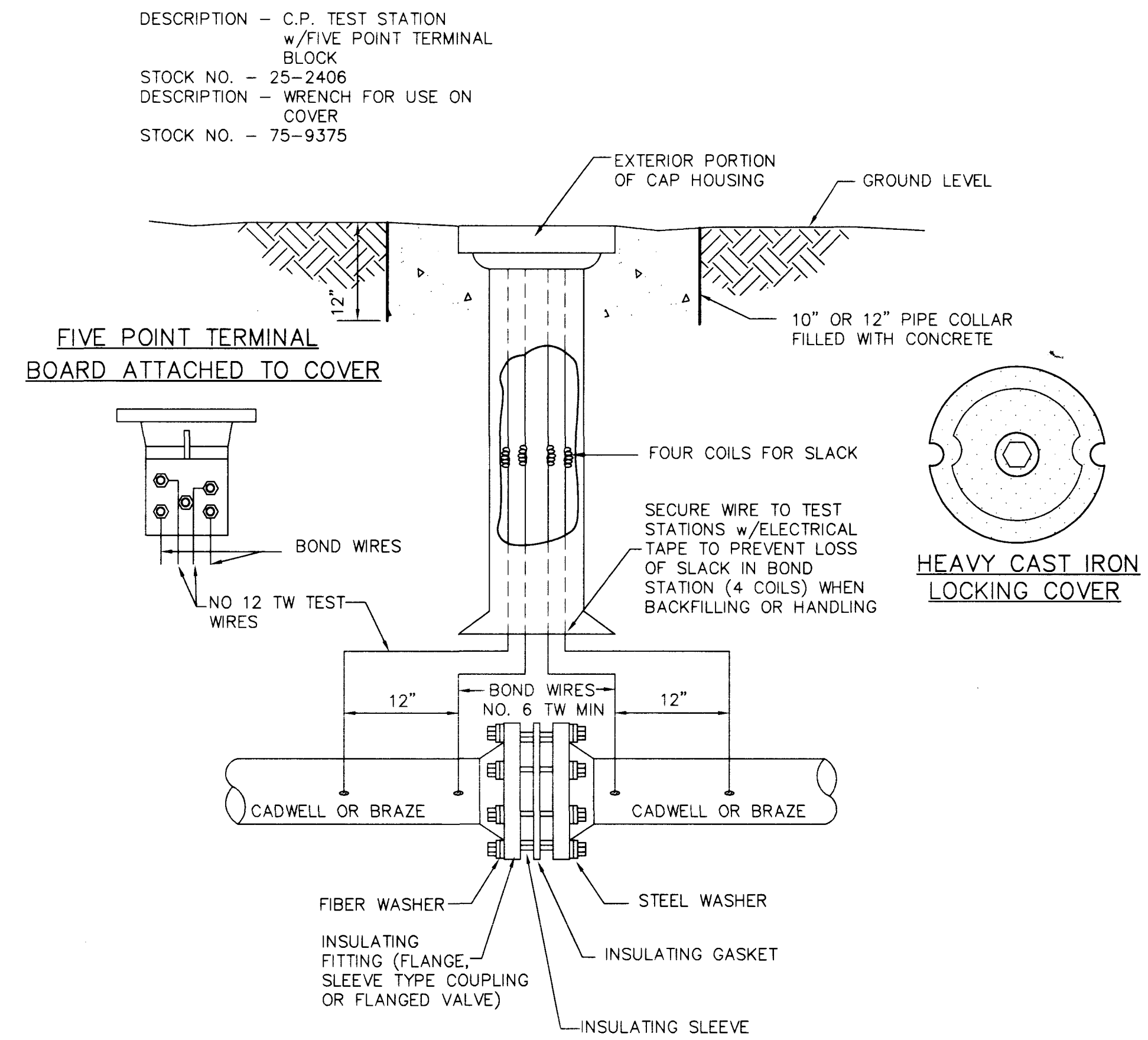
NO SCALE

NOTE: STA 55+34.08 TO STA 72+03.60 FULL WIDTH COLD MILLING AND OPEN GRADE PAVEMENT



TYPICAL SECTION FULL DEPTH REPLACEMENT - MEDIAN AREAS & MISCELLANEOUS PAVING AREAS

NO SCALE

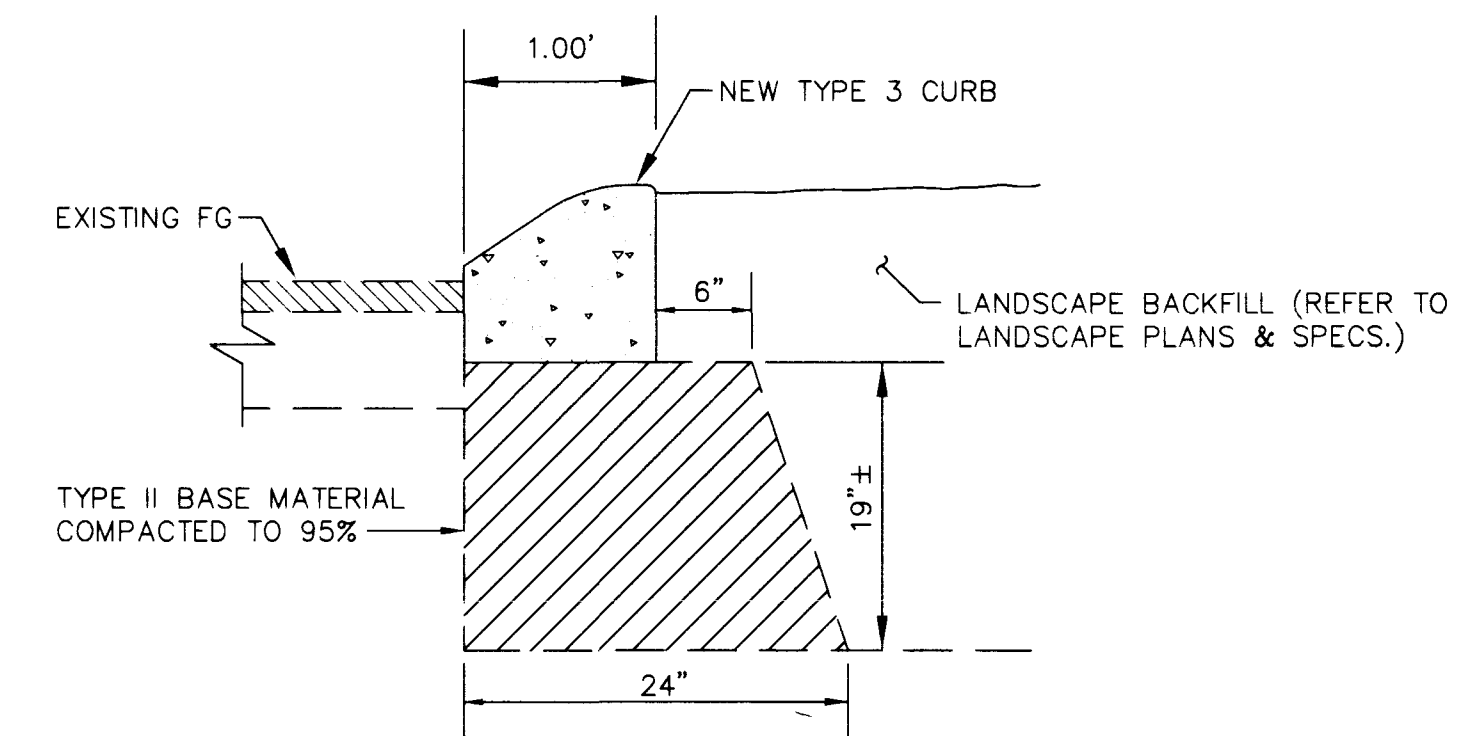


INSTALLTION OF TEST & BOND WIRES ON UNDERGROUND INSULATING FLANGES W/C.P. TEST STATION AT GROUND LEVEL

NO SCALE

(REF: SEE SHEET C-9)

1



TYPICAL CURB SECTION

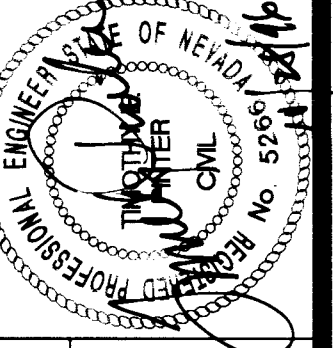
NO SCALE

DESCRIPTION - C.P. TEST STATION w/FIVE POINT TERMINAL BLOCK
 STOCK NO. - 25-2406
 DESCRIPTION - WRENCH FOR USE ON COVER
 STOCK NO. - 75-9375

ANY INFORMATION ON THIS DRAWING IS NOT TO BE USED FOR CONSTRUCTION OF ANY PART OF THIS PROJECT OR FOR ANY OTHER PROJECT WITHOUT THE WRITTEN PERMISSION OF THE ENGINEER. THE ENGINEER'S LIABILITY IS LIMITED TO THE PROFESSIONAL SERVICES PROVIDED AND WITHOUT LIABILITY FOR LEGAL EXPENSES.

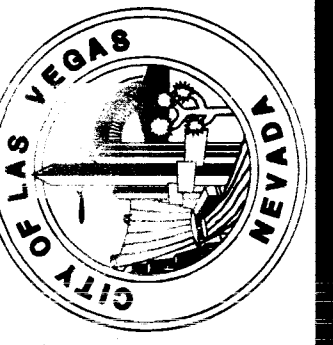
REVISIONS	DATE	BY	DESCRIPTION

JOB NUMBER 1003002	DESIGNED BY RP/TEP	DRAWN BY DRP
SHEET # 12	DATE 10-28-96	CHECKED BY TEP
		PLANNERS
		SURVEYORS
		ENGINEERS
		POGGEMEYER DESIGN GROUP
		140 HAWKINS TREE LANE, SUITE 308 - LAS VEGAS, NEVADA 89104 (702) 455-5108



DEPARTMENT OF PUBLIC WORKS
 PROJECT: DOWNTOWN ENTRY CORRIDOR IMPROVEMENTS
 LAS VEGAS BLVD. BEAUTFICATION
 4TH STREET TO CHARLESTON BLVD.

TYPICAL SECTIONS



DRAWING NO. 12/28
 C-12

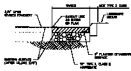
Call before you Dig.
 1-800-227-2600

RECORD DRAWING

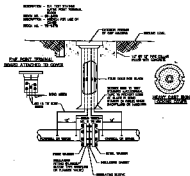


SECTION OF IMPROVEMENT

SEE SEE SPECIFICATIONS TO SEE STANDARD FULL DEPTH
REPLACE THE ROAD WITH IMPROVEMENT



**TYPICAL SECTION FULL DEPTH
REPLACEMENT - MEDIAN AREAS &
MISCELLANEOUS PAVING AREAS**



**INSTALLATION OF TEST & BOND WIRES
ON UNDERGROUND INSULATING FLANGES
W/O P. TEST STATION AT GROUND LEVEL**

SEE SPECIFICATIONS TO SEE STANDARD FULL DEPTH
REPLACE THE ROAD WITH IMPROVEMENT



TYPICAL CURB SECTION

RECORD DRAWING



DEPARTMENT OF PUBLIC WORKS PLANNING DIVISION PROJECT: IMPROVED STREET CROSSING UNIVERSITY OF CALIFORNIA AT BERKELEY 1000 UNIVERSITY AVENUE BERKELEY, CALIF. 94720-1700 TEL: (415) 864-1000 FAX: (415) 864-1000	PROJECT NO. 1000 DRAWING NO. 1000 SHEET NO. 1000 DATE: 10/10/00 DRAWN BY: 1000 CHECKED BY: 1000 APPROVED BY: 1000 PROCURMENT METHOD: DESIGN-BUILD
-------------------------------------------------------------------------------------------------------------------------------------------------------------------------------------------------------------------------------------------	------------------------------------------------------------------------------------------------------------------------------------------------------------------------