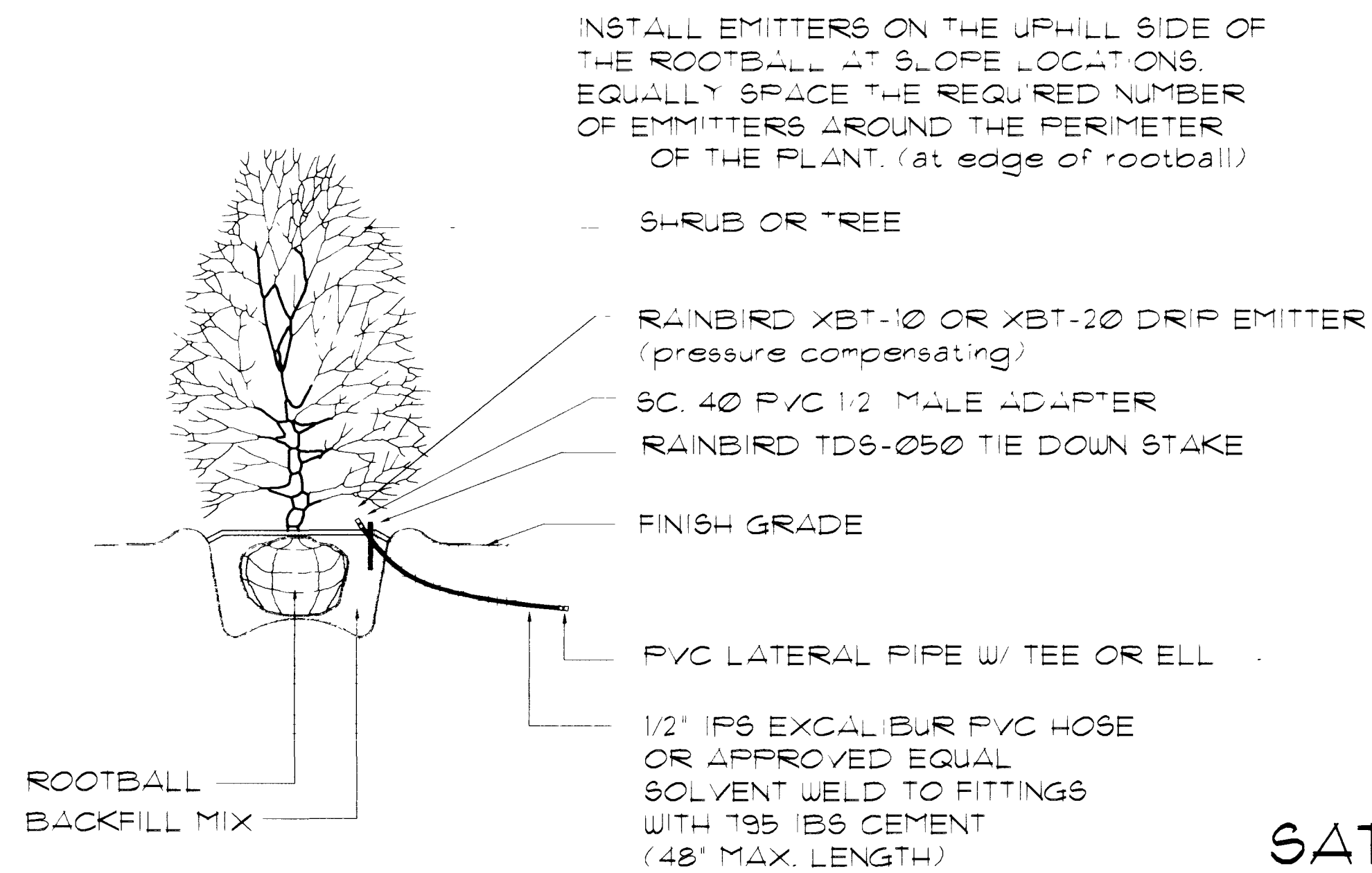
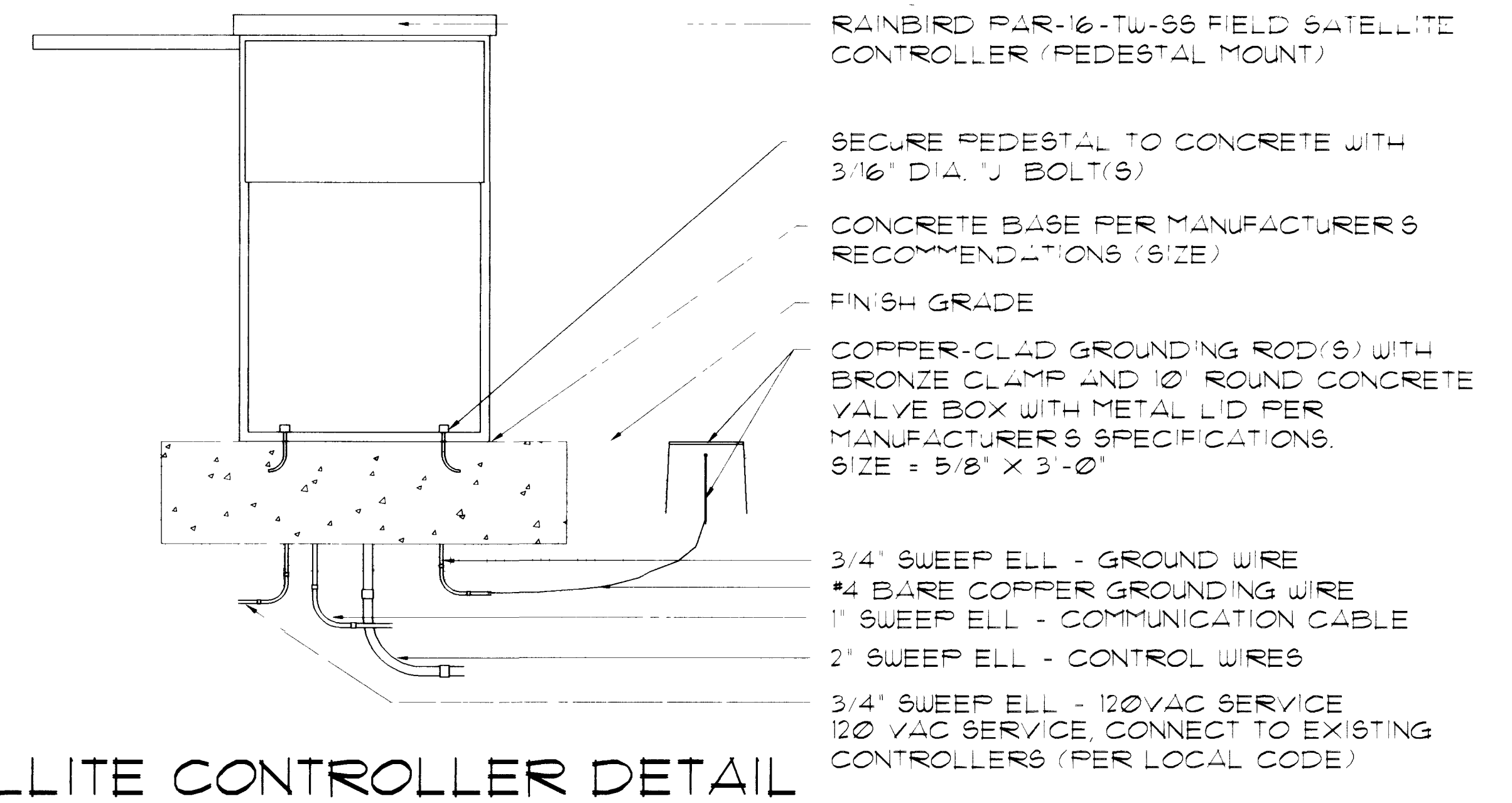


CONTROL VALVE DETAIL

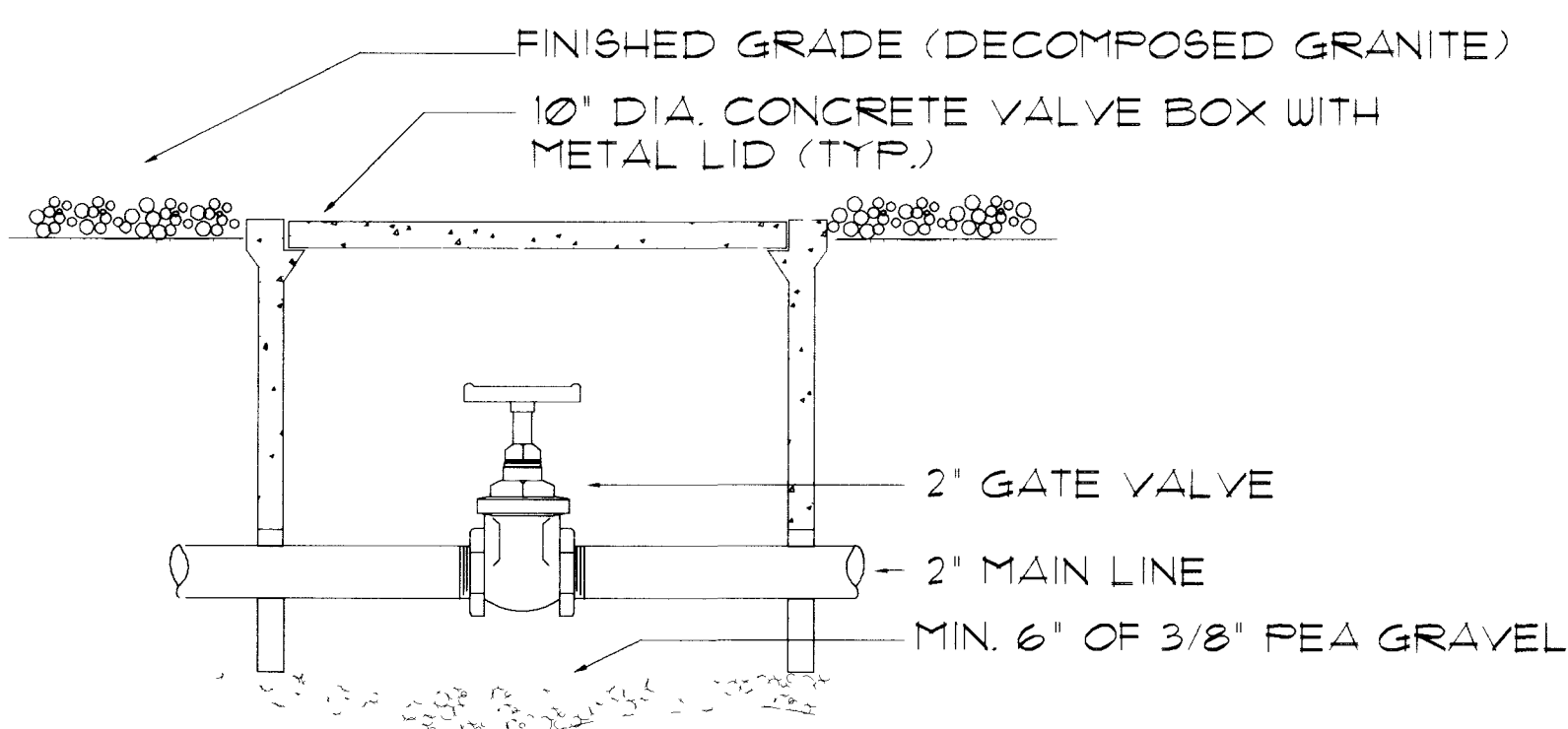


DRIP EMITTER DETAIL



SATELLITE CONTROLLER DETAIL

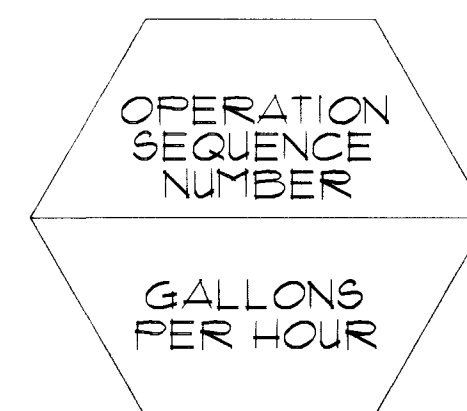
NOTES:
 CONTRACTOR TO GROUND AND PROVIDE SURGE PROTECTION FOR FIELD UNIT IN ACCORDANCE WITH MANUFACTURER'S RECOMMENDATIONS AND GROUND ROD SHOWN. CONTRACTOR SHALL INSTALL A 30 AMP NON-FUSED DISCONNECT AND 120V DUPLEX RECEPTACLE INSIDE PEDESTAL.
 INSTALL CONTROLLER PER MANUFACTURER'S PRINTED INSTRUCTIONS AND PER LOCAL CODES. LOCATION SHOWN ON DRAWINGS TO BE APPROVED BY THE OWNER'S REPRESENTATIVE PRIOR TO CONSTRUCTION.



NOTE: LOCATE VALVE IN VERGE AREA

GATE VALVE DETAIL

SYMBOL DESIGNATION



LEGEND

	RAINBIRD XBT-10 OR XBT-20
	RAIN BIRD CONTROL VALVE 100-PEB (AS PER DETAIL)
	RAIN BIRD CONTROL VALVE 150-PEB (AS PER DETAIL)
	SCH. 40 PVC LATERAL PIPING (SIZES AS SHOWN)
	EXISTING IRRIGATION SLEEVE (UNDER ROADWAYS AND DRIVEWAYS) INSTALLED AS PART OF CONTRACT 2.
	NEW IRRIGATION SLEEVE (UNDER NEW HARDSCAPE) INSTALLED AS PART OF THIS CONTRACT.
	RAIN BIRD QUICK COUPLER VALVE (44NP)
	RAIN BIRD SATELLITE CONTROLLER PAR 16-TW-SS

SLEEVE SIZING DETAIL

PIPE SIZE	SLEEVE SIZE
3/4"	2"
1"	2"
1-1/4"	2-1/2"
1-1/2"	3"
2"	3"

NOTES:

THE CONTRACTOR SHALL INSTALL THE REQUIRED NUMBER OF EMITTERS PER PLANT SPECIMEN AS FOLLOWS: (at least one head per plant)

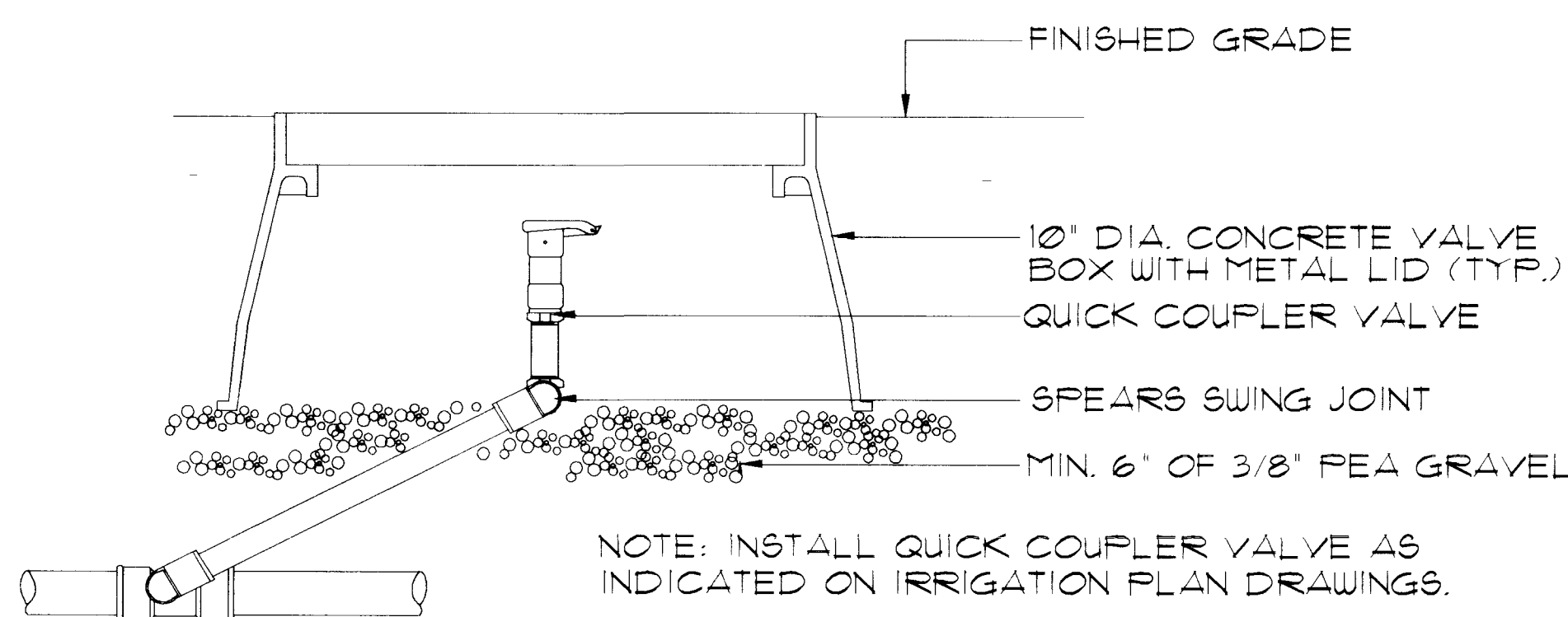
EMITTER QUANTITIES		
PLANT SIZE	QTY.	GPH.
1 GAL.	1	1
5 GAL.	2	1
24\"/>		

THE CONTRACTOR SHALL COMPLETELY FLUSH ALL LINES PRIOR TO INSTALLING ANY EMITTER HEADS.

EACH PLANT EMITTER SHALL BE STAKED TO ENSURE THEIR LOCATION AT EACH PLANT SPECIMEN'S ROOT BALL.

ALL ELECTRICAL COMPONENTS SHALL BE EQUIPPED WITH LIGHTNING AND SURGE PROTECTION DEVICES.

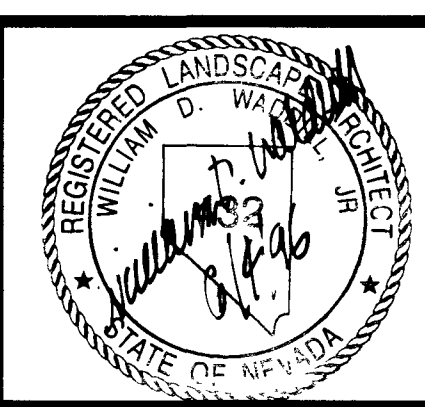
THE CONTRACTOR SHALL INSTALL FLUSH CAPS AT VARIOUS LOCATIONS ALONG ZONE LATERALS AND AT EACH END OF DRIP ZONE TO ALLOW FOR PERIODIC FLUSHING OF SYSTEM. FLUSH CAPS TO BE RAIN BIRD 100-CF-21 COMPRESSION FLUSH CAPS.



NOTE: INSTALL QUICK COUPLER VALVE AS INDICATED ON IRRIGATION PLAN DRAWINGS.

QUICK COUPLER DETAIL

NO	REVISIONS	DATE	BY



Kimley-Horn and Associates, Inc.
 Las Vegas, Nevada © 1996

DESIGNED BY	URG
DRAWN BY	DD/WSW
CHECKED BY	BW
NOTE BOOK NO	



DOWNTOWN CORRIDOR IMPROVEMENTS
 CITY OF LAS VEGAS DEPT. OF PUBLIC WORKS
 LAS VEGAS, NEVADA
 CONTRACT 4 - 4TH STREET
 CHARLESTON BLVD. TO COLORADO AVE.

DATE	6/96
SCALE	AS NOTED

IRRIGATION DETAILS
 IR-4
 SHEET 12 OF 22

DWG. NO.	107-V-2288C
FILE NO.	9903.02

