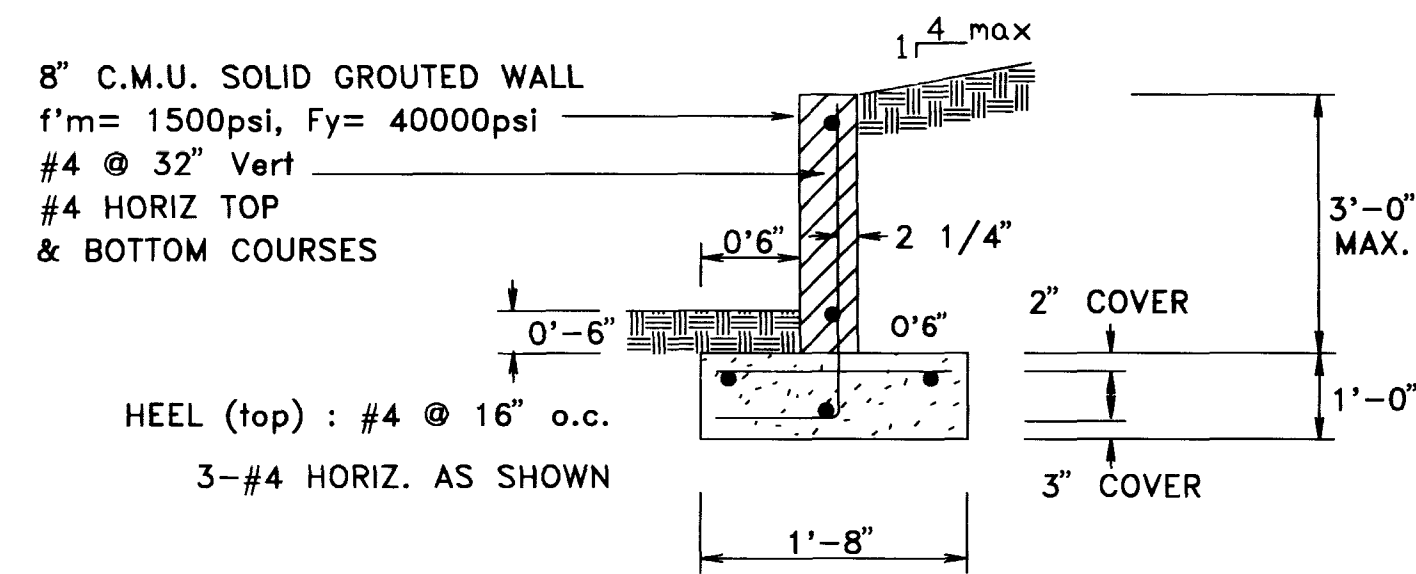


NOTES

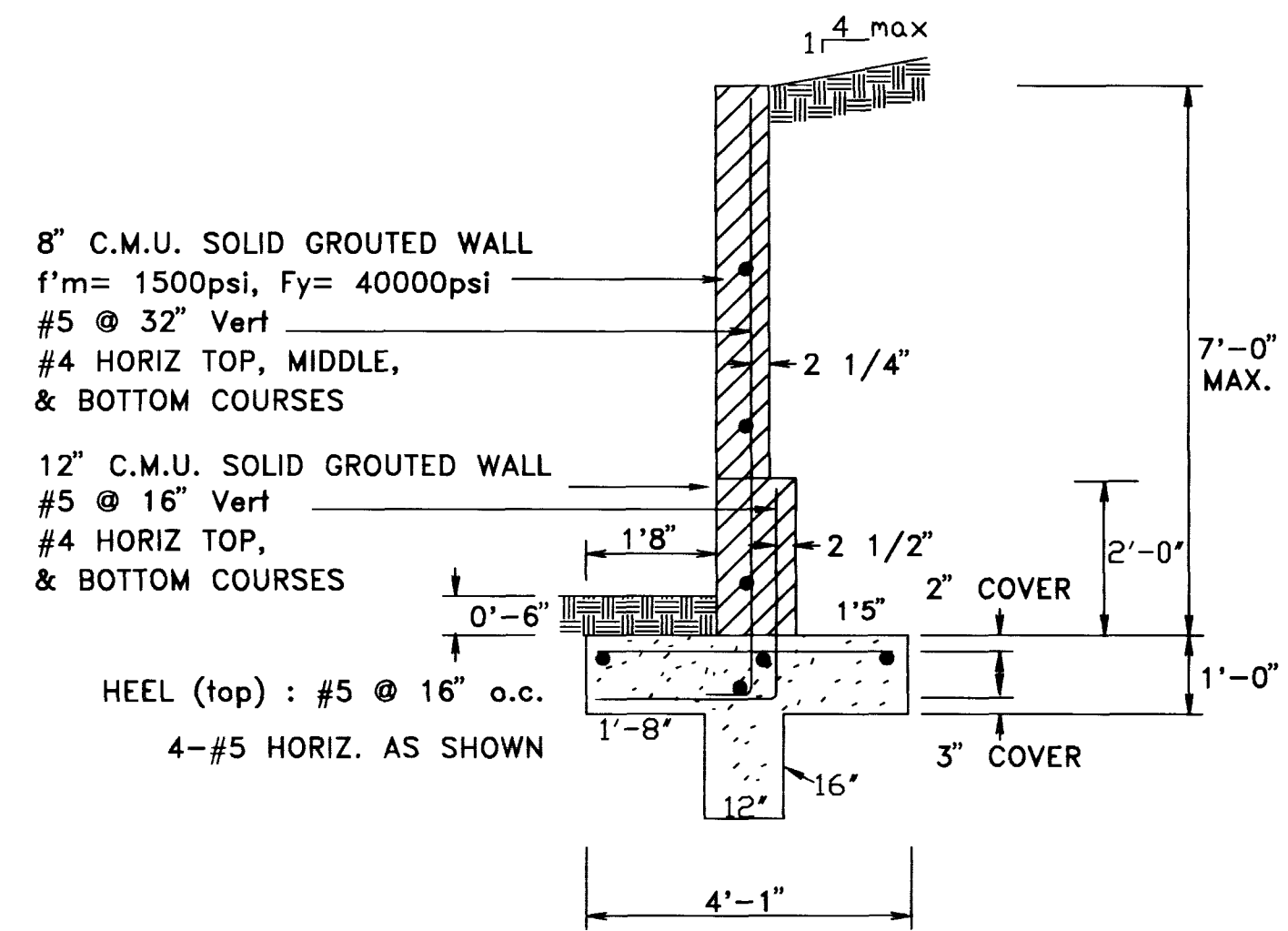
GRADE 40 REBAR, ASTM A615
 GRADE N CONCRETE BLOCK, ASTM C-90
 GROUT 2000 PSI @ 28 DAYS
 CONCRETE 2500 PSI @ 28 DAYS
 OMIT HEAD JOINT IN SECOND COURSE
 @ 32" O.C. FOR WEEP HOLE
 40 BAR DIA. LAPS REQ'D FOR SPLICES



RETAINING WALL
 Scale: 3/8" = 1'-0"

NOTES

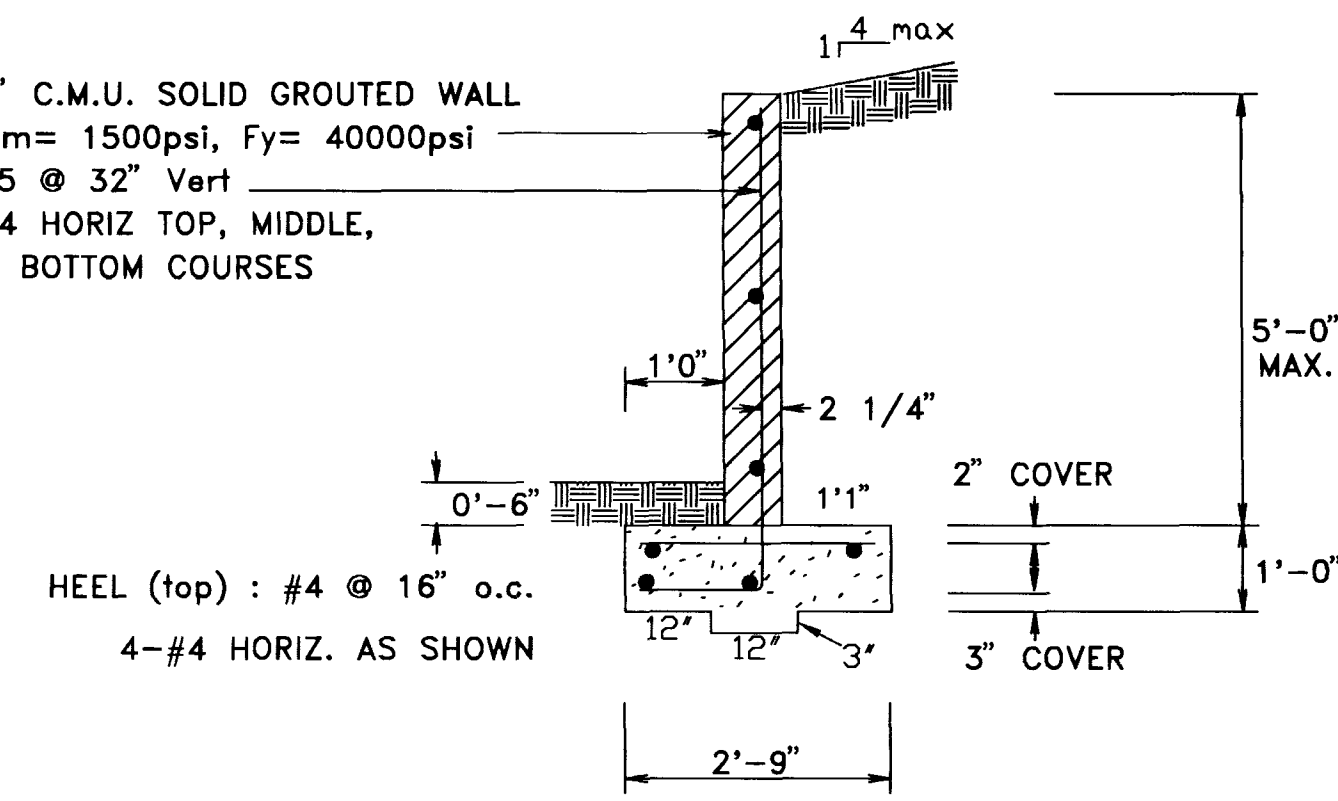
GRADE 40 REBAR, ASTM A615
 GRADE N CONCRETE BLOCK, ASTM C-90
 GROUT 2000 PSI @ 28 DAYS
 CONCRETE 2500 PSI @ 28 DAYS
 OMIT HEAD JOINT IN SECOND COURSE
 @ 32" O.C. FOR WEEP HOLE
 40 BAR DIA. LAPS REQ'D FOR SPLICES



RETAINING WALL
 Scale: 3/8" = 1'-0"

NOTES

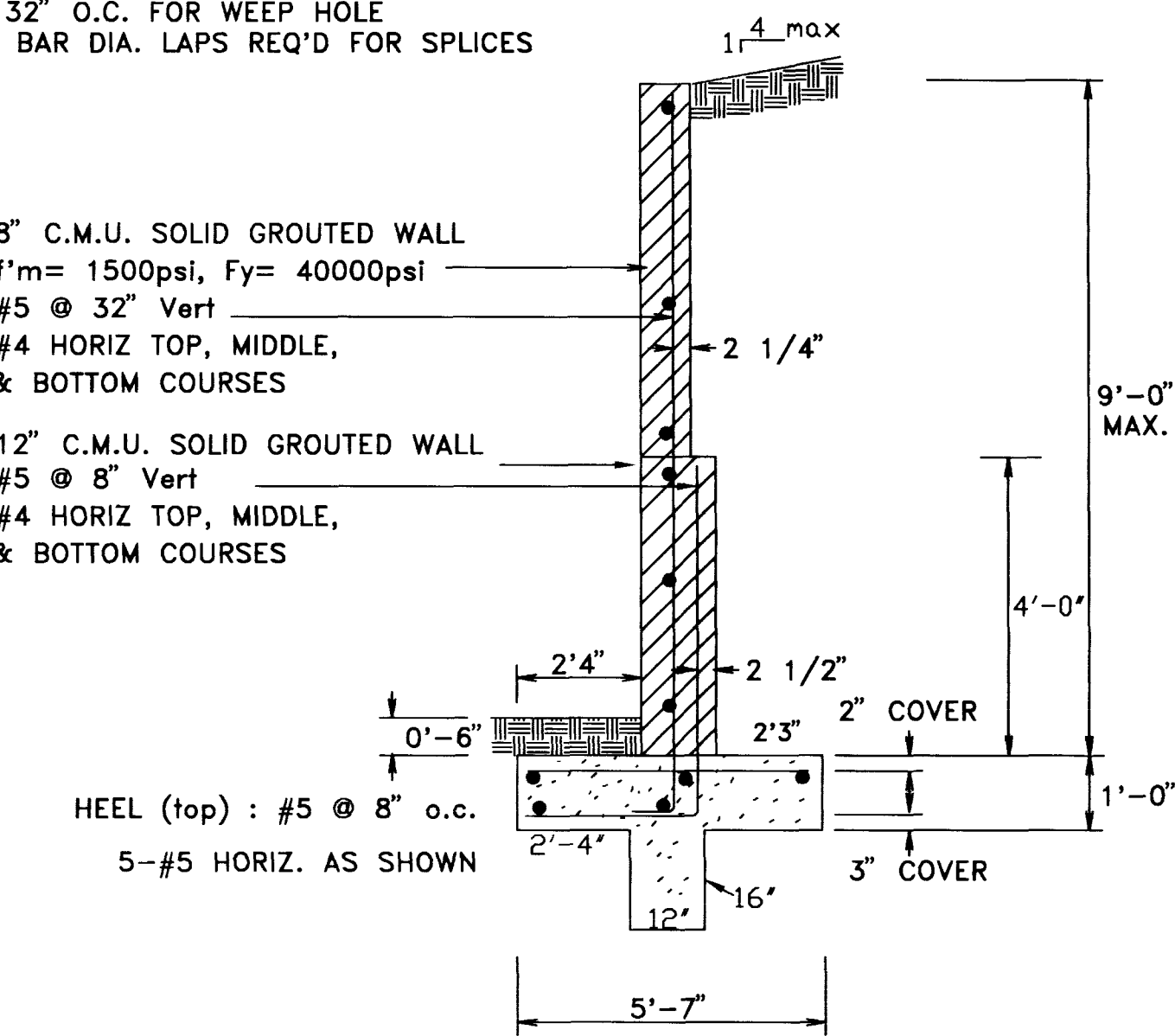
GRADE 40 REBAR, ASTM A615
 GRADE N CONCRETE BLOCK, ASTM C-90
 GROUT 2000 PSI @ 28 DAYS
 CONCRETE 2500 PSI @ 28 DAYS
 OMIT HEAD JOINT IN SECOND COURSE
 @ 32" O.C. FOR WEEP HOLE
 40 BAR DIA. LAPS REQ'D FOR SPLICES



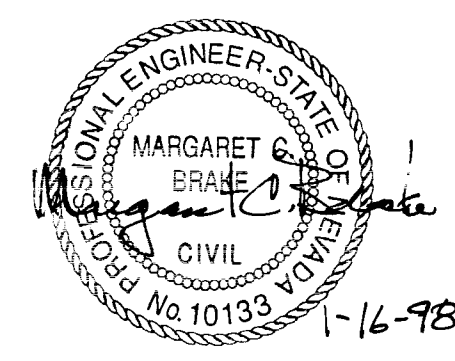
RETAINING WALL
 Scale: 3/8" = 1'-0"

NOTES

GRADE 40 REBAR, ASTM A615
 GRADE N CONCRETE BLOCK, ASTM C-90
 GROUT 2000 PSI @ 28 DAYS
 CONCRETE 2500 PSI @ 28 DAYS
 OMIT HEAD JOINT IN SECOND COURSE
 @ 32" O.C. FOR WEEP HOLE
 40 BAR DIA. LAPS REQ'D FOR SPLICES



RETAINING WALL
 Scale: 3/8" = 1'-0"



SUMMIT ENGINEERING CORPORATION
 CONSULTING ENGINEERS AND SURVEYORS
 3885 SOUTH HIGHLAND, LAS VEGAS, NEVADA 89104
 PHONE: (702) 252-3234 FAX: (702) 252-3247

DESIGNED BY: G.W.
 DRAWN BY: G.W.
 CHECKED BY: MCB
 AUG 7, 1997

EDITH GAREHIME
 ELEMENTARY SCHOOL CCSD #0835
 RETAINING WALL DETAILS

REV.	DATE	DESCRIPTION	BY	APP'D

7294

