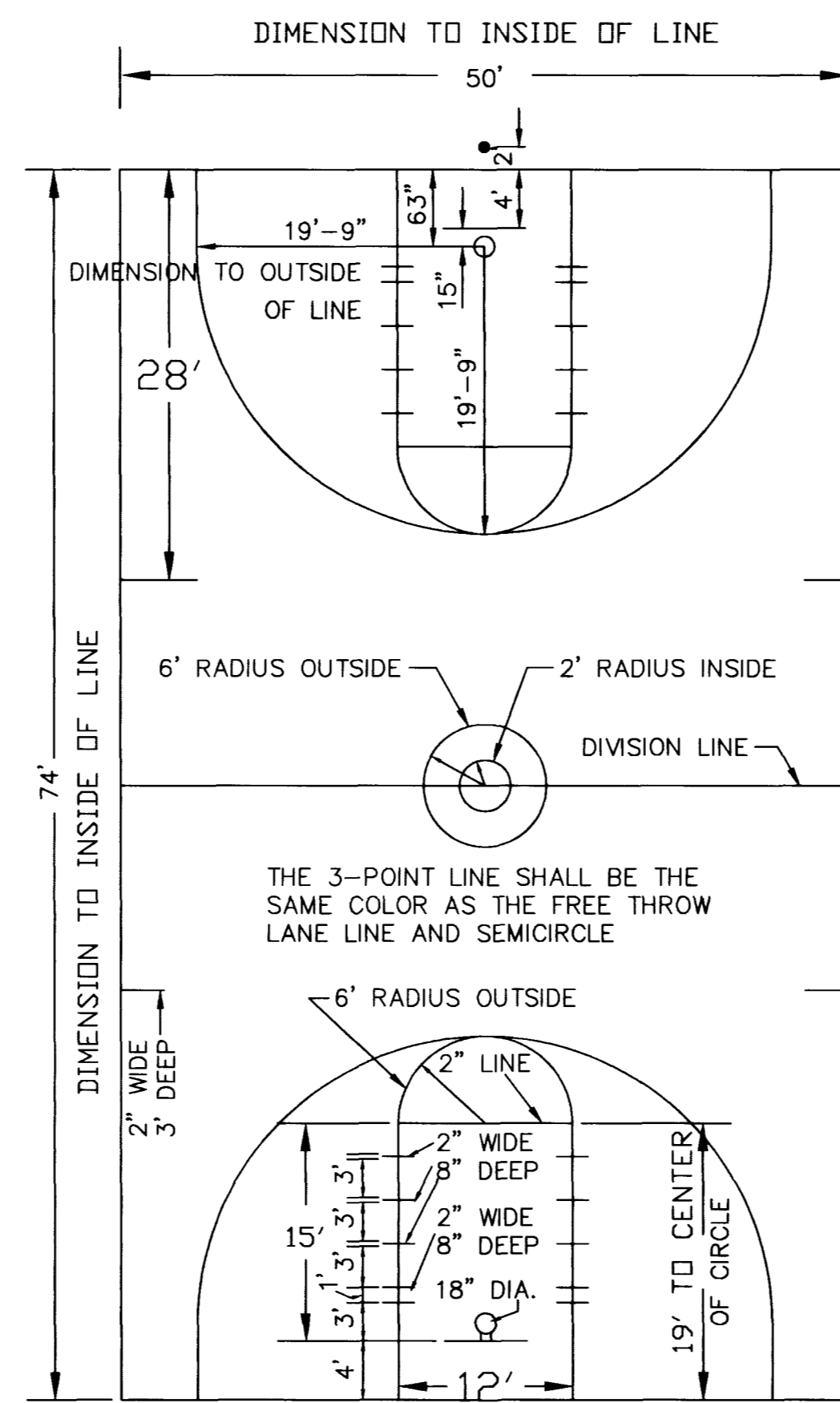


TETHERBALL

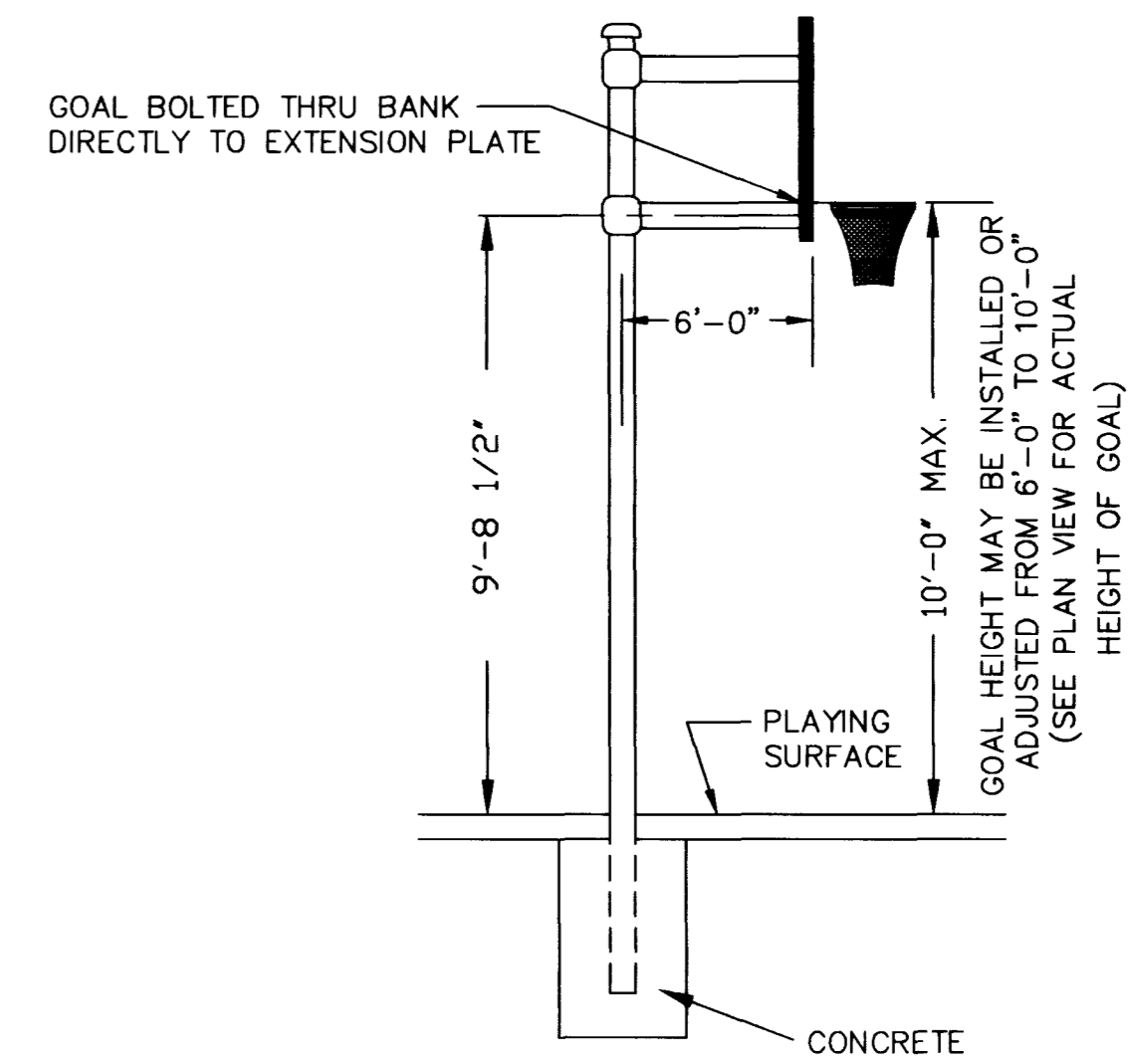
DETAIL J



THE COLOR OF THE LANE SPACE MARKS AND NEUTRAL ZONE MARKS SHALL BE WHITE.
THE MIDCOURT MARKS SHALL BE WHITE.

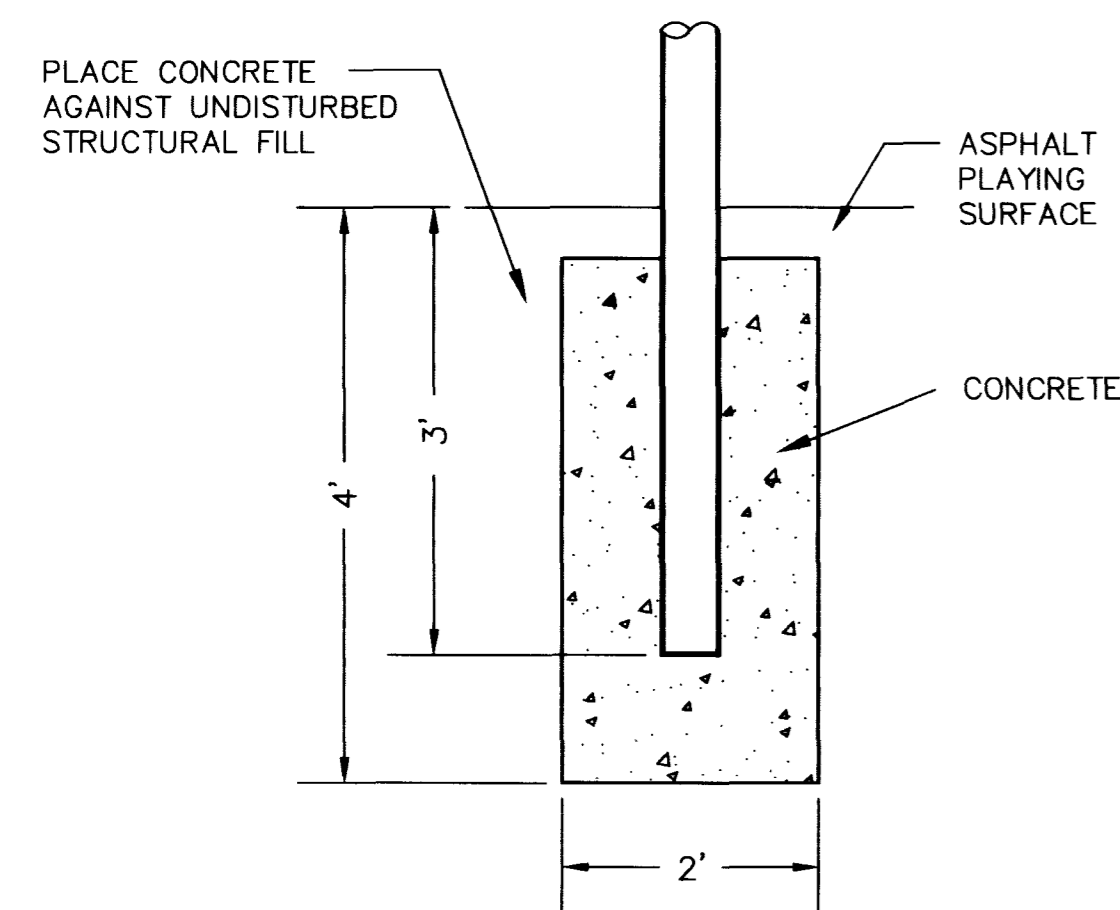
BASKETBALL COURT

DETAIL K



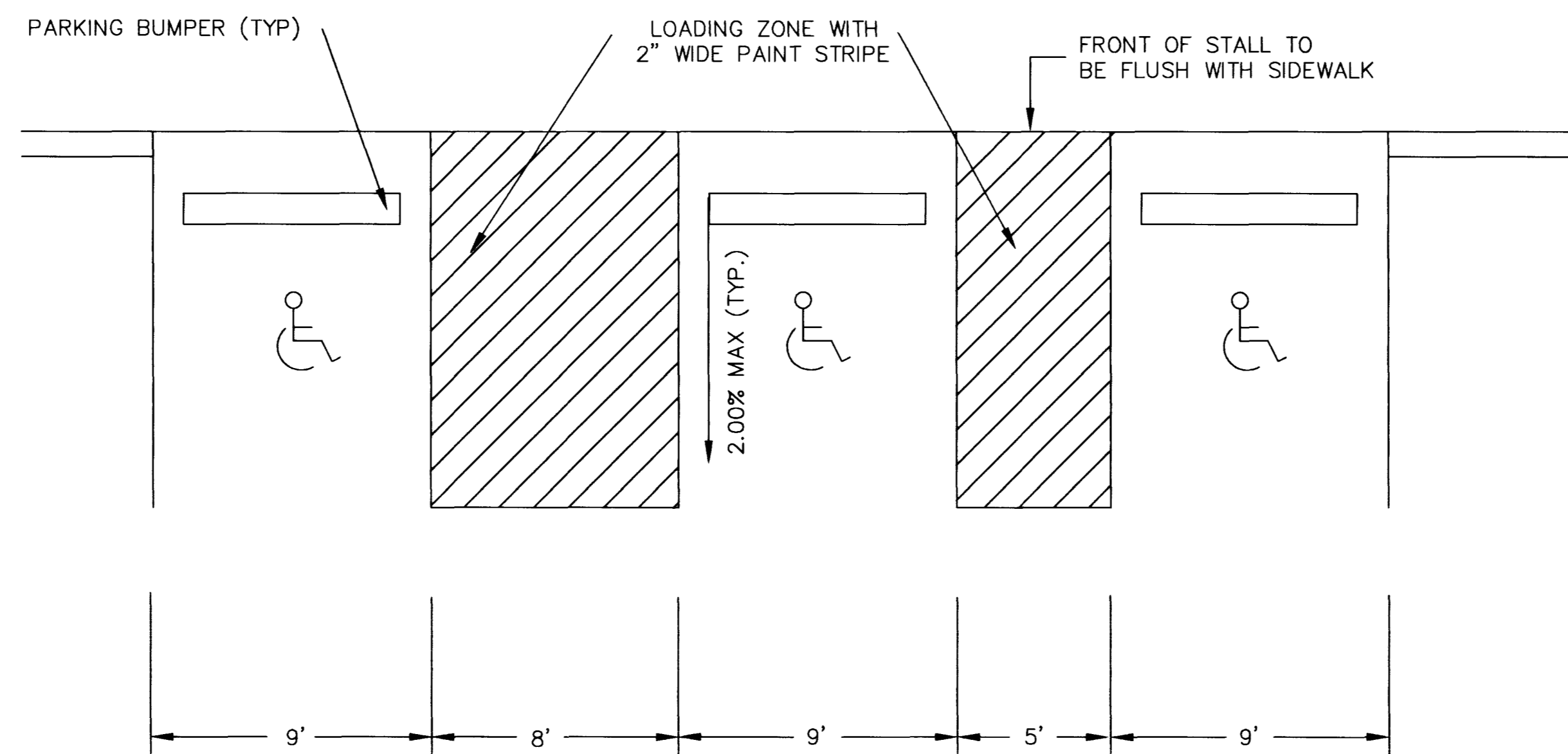
BASKETBALL STANDARD

DETAIL L



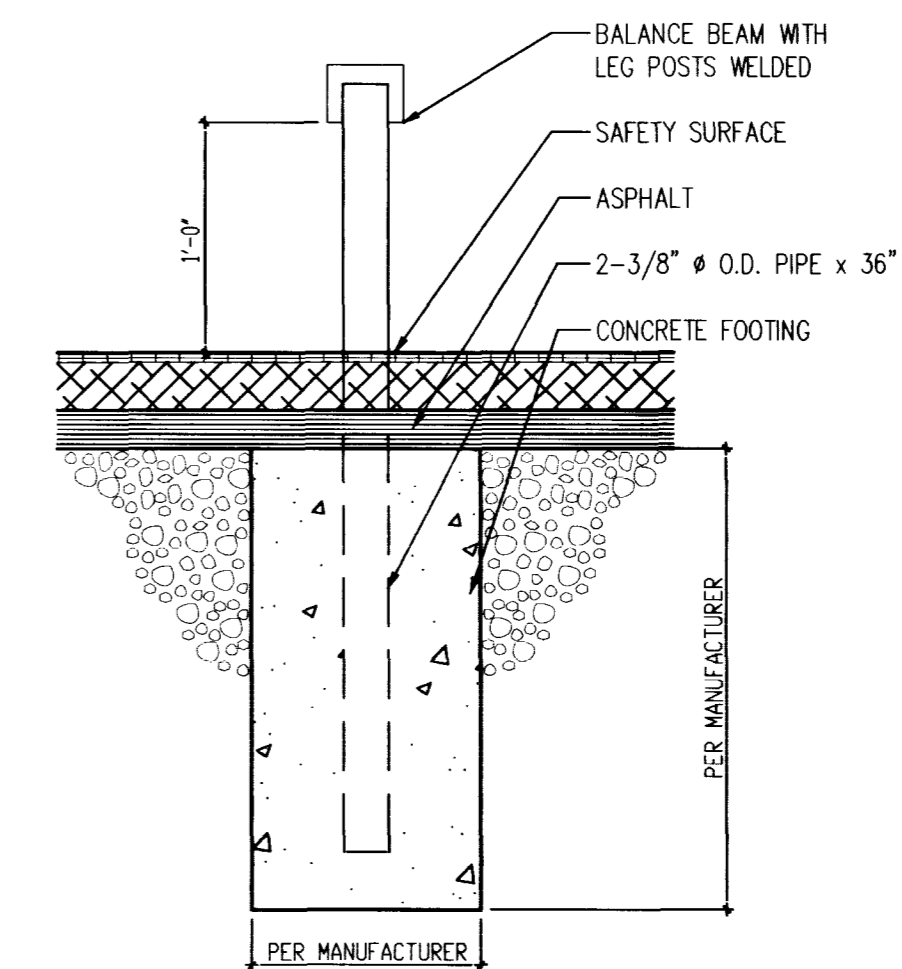
BASKETBALL POST

DETAIL M

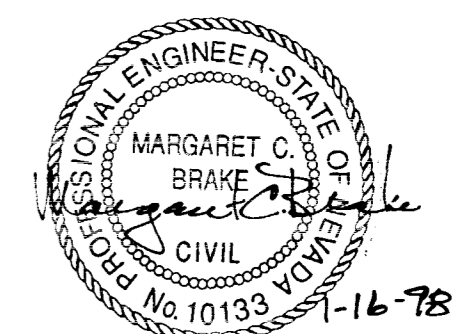


HANDICAP PARKING STALL LAYOUTS

DETAIL N



DETAIL O



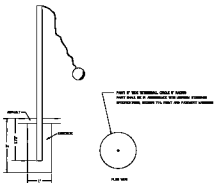
SUMMIT ENGINEERING CORPORATION
CONSULTING ENGINEERS AND SURVEYORS
3441 SOUTH HIGHWAY, LAS VEGAS, NEVADA 89108
PHONE: (702) 252-3238 FAX: (702) 252-3247

DESIGNED BY: MCB
DRAWN BY: MCB
CHECKED BY: JJS
AUG 7, 1997

EDITH GAREHIME
ELEMENTARY SCHOOL CCSD #0835
DETAILS
CLARK COUNTY
LAS VEGAS

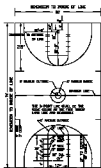
REV.	DATE	DESCRIPTION	BY	APP'D
16				
23				

7289



INTERNAL POST

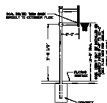
DETAIL J



THE PART OF THE CHOLEY FLOOR PART SHALL BE 4\"/>

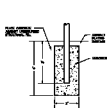
INTERNAL POST

DETAIL K



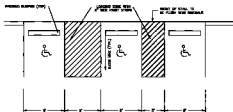
INTERNAL POST

DETAIL L



INTERNAL POST

DETAIL M



INTERNAL POST

DETAIL N



DETAIL O



SUMMIT	
REVISED BY: []	DATE: []
DESIGNED BY: []	DATE: []
CHECKED BY: []	DATE: []
APPROVED BY: []	DATE: []
STATE OF CALIFORNIA	
DEPARTMENT OF TRANSPORTATION	
DIVISION OF HIGHWAYS	
SAN JOSE OFFICE	
PROJECT NO. []	
SHEET NO. []	
DATE: []	
DRAWN BY: []	
CHECKED BY: []	
APPROVED BY: []	