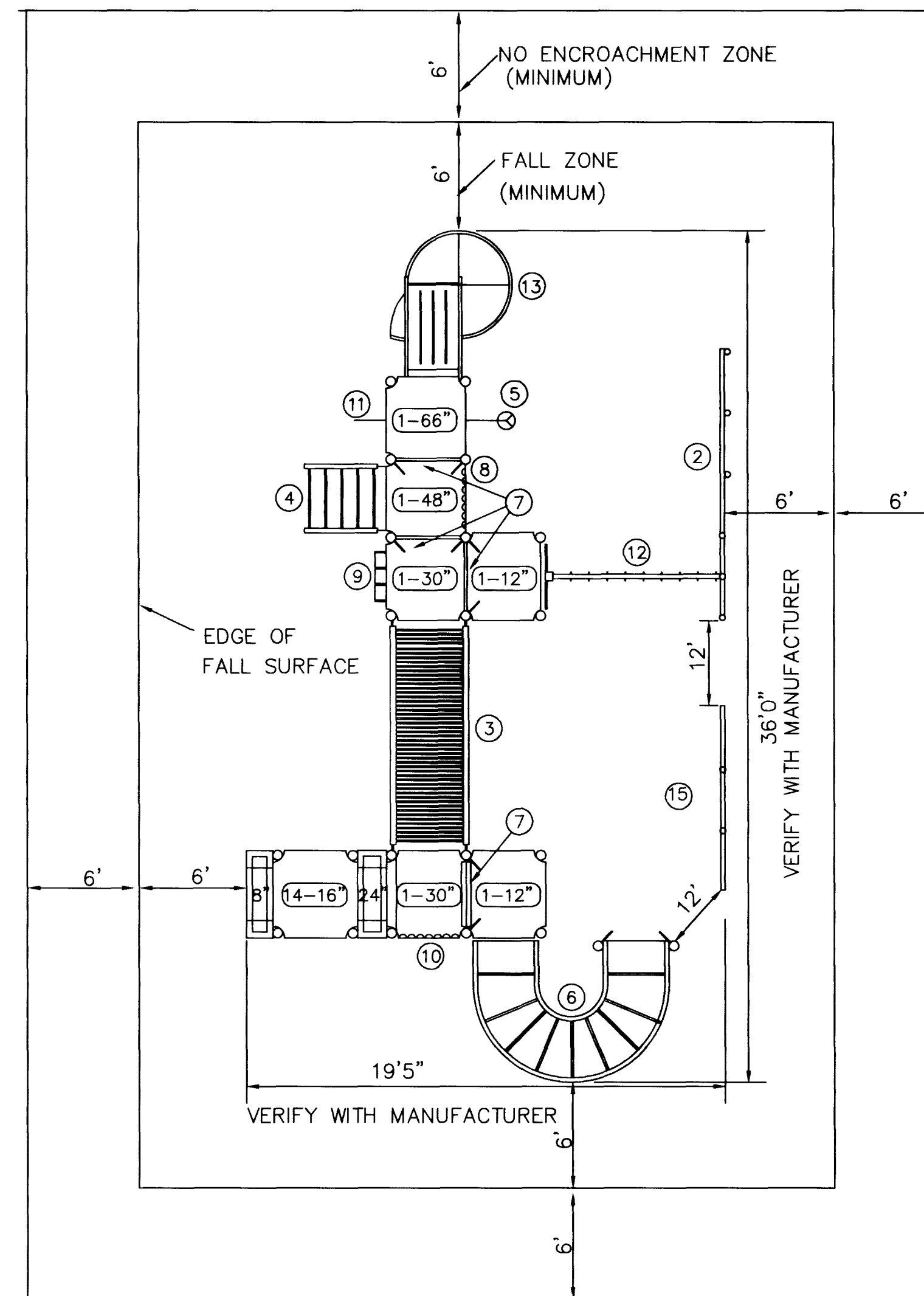


KINDERGARTEN PLAYGROUND EQUIPMENT STANDARDS

	QUANTITY
1. DECKS	5
2. CLIMBER, ARCH. INVERTED, W/ENTRY BARRIER	1
3. CLIMBER TREE, W/ENTRY BARRIER	1
4. LADDER, HORIZONTAL, STRAIGHT, TRIANGLE, 10' TO 12' LONG	1
5. LADDERS, VERTICAL, VARIOUS HEIGHTS OR STEP PANELS	3
6. PANEL NUMBER	1
7. PANELS, SAFETY, STEEL	3
8. PANEL, SAFETY, STEEL, WITH WHEEL	1
9. SLIDE, STRAIGHT, POLYETHYLENE, 5' TO 6' LONG	1
10. STATION, TRANSFER, WITH STEP PANELS	1

NOT TO SCALE/PROPORTION
FOR ADDITIONAL INFORMATION CONSULT STANDARDS OFFICE PARAMETERS

DETAIL F



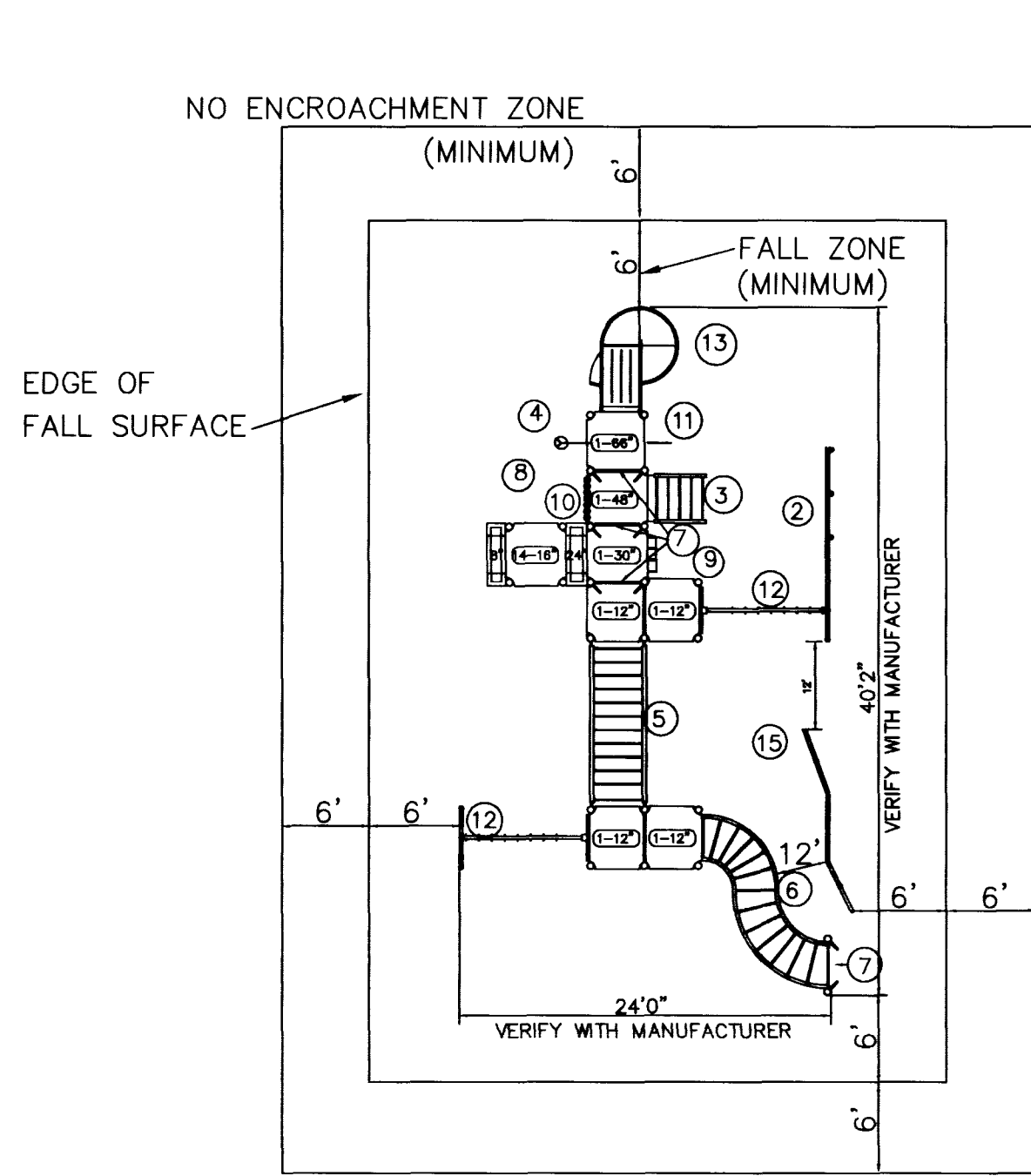
PRIMARY PLAYGROUND EQUIPMENT STANDARDS

	QUANTITY
1. DECKS	6
2. BARS, CHINNING, ADJ., 3 LEVELS	1
3. BRIDGE SUSPENSION, 10' TO 12' LONG	1
4. CLIMBER, ARCH, W/ENTRY BARRIER	1
5. CLIMBER, TREE, W/ENTRY BARRIER	1
6. LADDER, HORIZONTAL C-SHAPED, 10' TO 12' LONG	1
7. LADDERS, VERTICAL, VARIOUS HEIGHTS OR STEP PANELS	4
8. PANEL, SAFETY, STEEL, WITH WHEEL	1
9. PANEL, NUMBER	1
10. PANEL, SAFETY, STEEL	1
11. POLE, SLIDE, W/ENTRY BARRIER	1
12. RING, TREK, SINGLE 10' TO 12' LONG	1
13. SLIDE, SPIRAL, POLYETHYLENE	1
14. STATION, TRANSFER, WITH STEP PANELS	1
15. BALANCE BEAM, STRAIGHT	1

NOT TO SCALE/PROPORTION

FOR ADDITIONAL INFORMATION CONSULT STANDARDS OFFICE PARAMETERS

DETAIL G

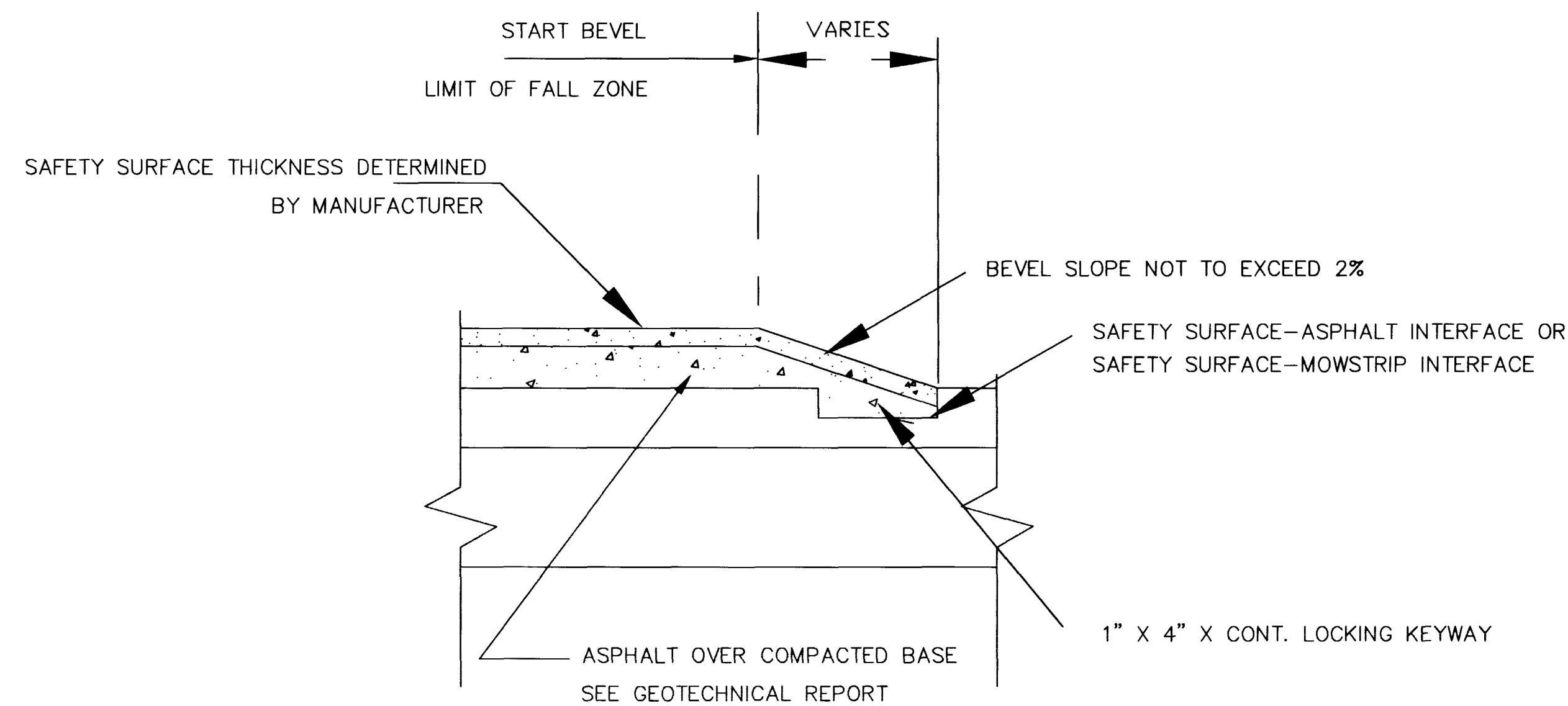


INTERMEDIATE PLAYGROUND EQUIPMENT STANDARDS

	QUANTITY
1. DECKS	7
2. BARS, CHINNING, ADJ., 3 LEVELS	1
3. CLIMBER, ARCH, W/ENTRY BARRIER	1
4. CLIMBER, TREE, W/ENTRY BARRIER	1
5. LADDER, HORIZONTAL, TRIANGLE, STRAIGHT 10' TO 12' LONG	1
6. LADDER, HORIZONTAL S-SHAPED 10' TO 12' LONG	1
7. LADDERS, VERTICAL, VARIOUS HEIGHTS OR STEP PANELS	3
8. PANEL, SAFETY, STEEL, WITH WHEEL (LOW)	1
9. PANEL, NUMBER	1
10. PANEL, SAFETY, STEEL	1
11. POLE, SLIDE, W/ENTRY BARRIER	1
12. RING, TREK, SINGLE 10' TO 12' LONG	2
13. SLIDE, SPIRAL, POLYETHYLENE	1
14. STATION, TRANSFER, WITH STEP PANELS	1
15. BALANCE BEAM, Z-SHAPED	1

NOT TO SCALE/PROPORTION
FOR ADDITIONAL INFORMATION CONSULT STANDARDS OFFICE PARAMETERS

DETAIL H



DETAIL I

