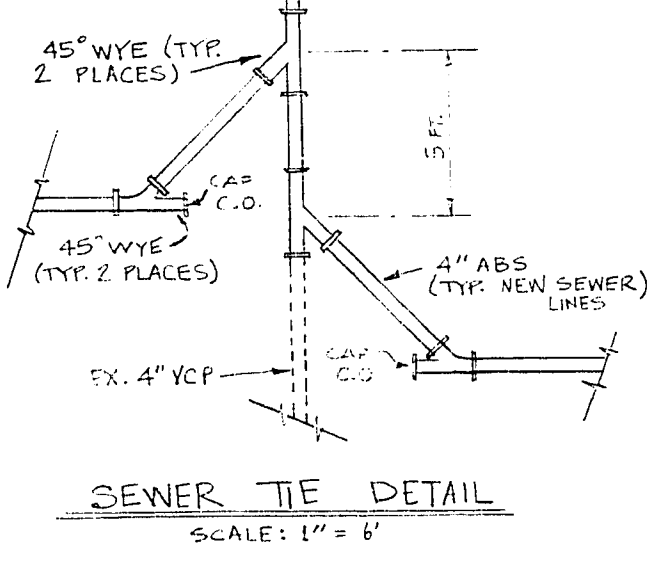
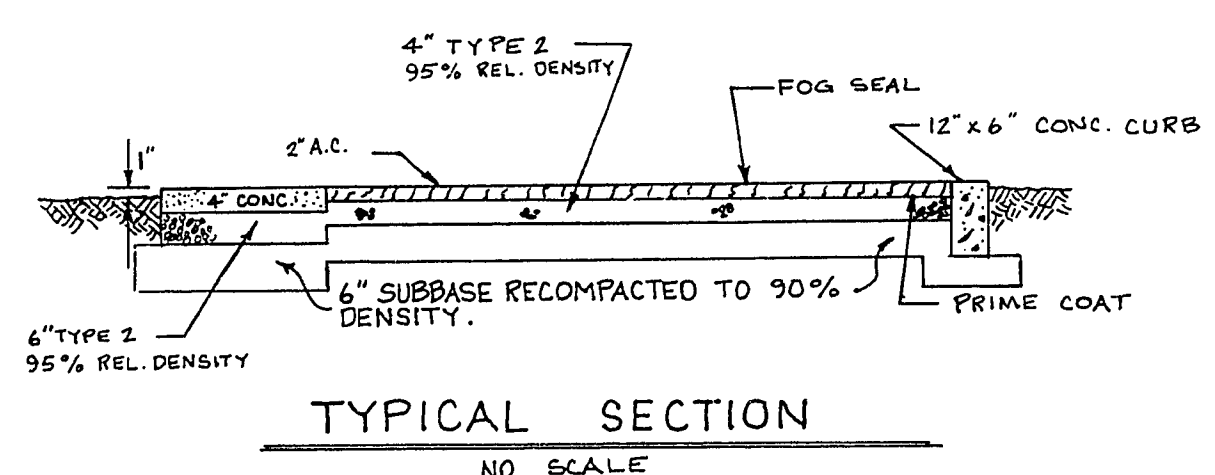
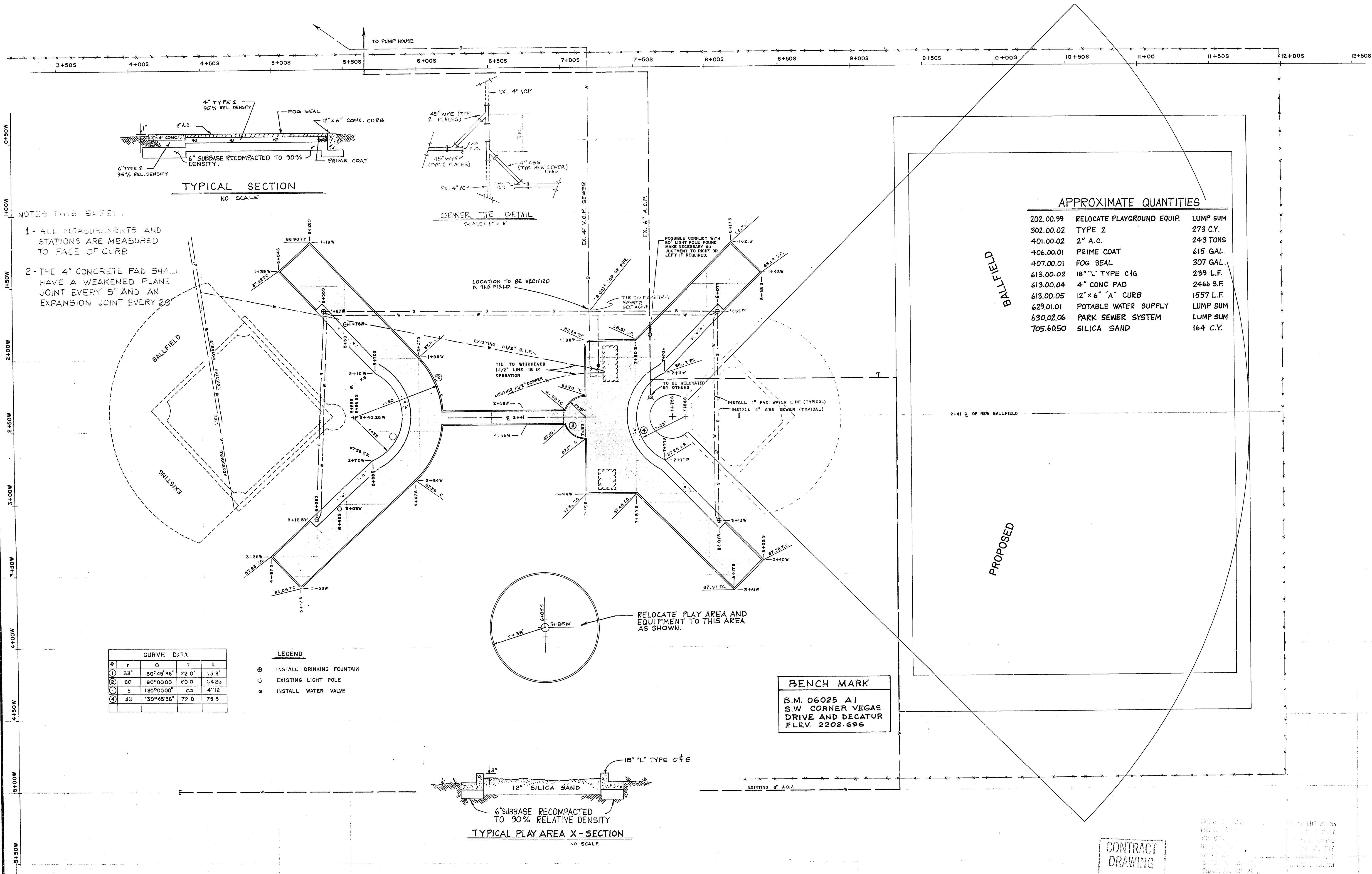


SCALE: 1" = 30'



NOTES THIS SHEET:  
 1- ALL MEASUREMENTS AND STATIONS ARE MEASURED TO FACE OF CURB  
 2- THE 4\"/>

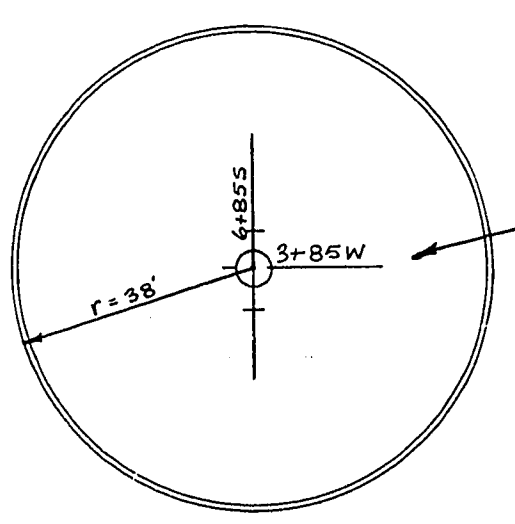
**APPROXIMATE QUANTITIES**

202.00.99	RELOCATE PLAYGROUND EQUIP.	LUMP SUM
302.00.02	TYPE 2	273 C.Y.
401.00.02	2\"/>	
406.00.01	PRIME COAT	415 GAL.
407.00.01	FOG SEAL	307 GAL.
613.00.02	18\"/>	
613.00.04	4\"/>	
613.00.05	12\"/>	
629.01.01	POTABLE WATER SUPPLY	LUMP SUM
630.02.06	PARK SEWER SYSTEM	LUMP SUM
705.60.50	SILICA SAND	164 C.Y.

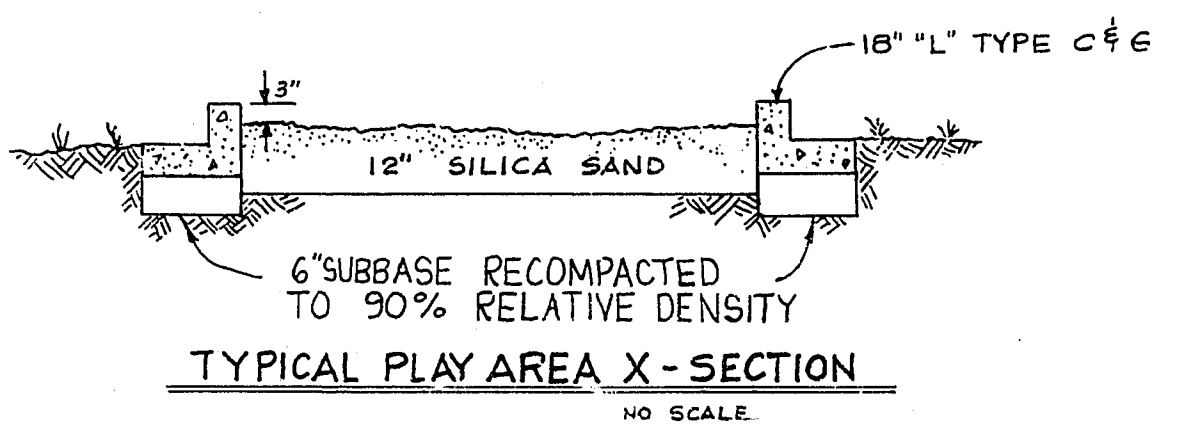
**CURVE DATA**

#	r	Δ	T	L
1	33'	30°45'16"	72.0'	1.33'
2	60'	90°00'00"	0.0'	2.423'
3	180°00'00"	0°00'00"	0.0'	4'12"
4	30'	30°45'36"	72.0'	75.3'

- LEGEND**
- ⊕ INSTALL DRINKING FOUNTAIN
  - ⊙ EXISTING LIGHT POLE
  - INSTALL WATER VALVE



**BENCH MARK**  
 B.M. 06025 A1  
 S.W. CORNER VEGAS  
 DRIVE AND DECATUR  
 ELEV. 2202.696



W.A. no. 0022	Scale (V)	Date MAY, 1980	Drawn by P. LEE	Date
Scale (H) 1" = 30'	Fid. bk. no. 78-2X	Design by S. MORSE		
<b>Department of Public Services</b> Engineering Design Division				
<b>ED FOUNTAIN PARK</b> <b>BLEACHER PAD AREA</b> <b>PAVING PLAN</b>				
<b>PHASE II</b>				
Drawing no. 675-22A				

05-13-93

CONTRACT  
 DRAWING