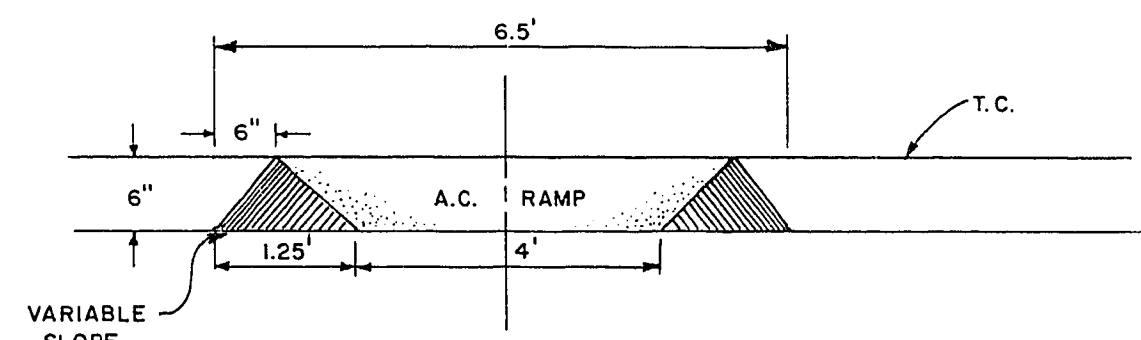
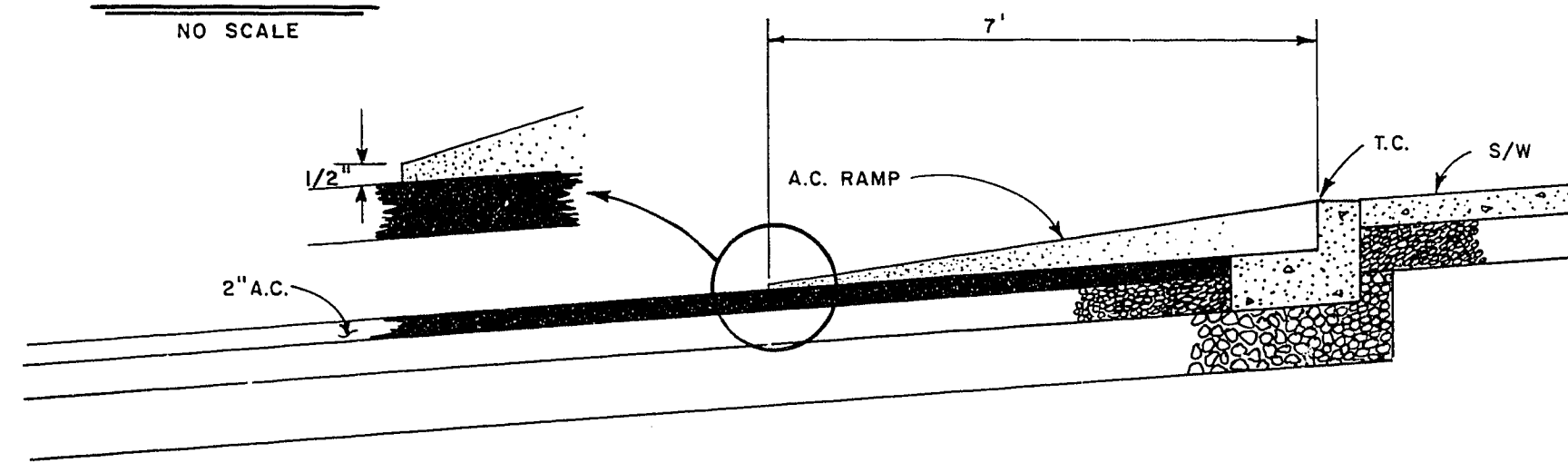


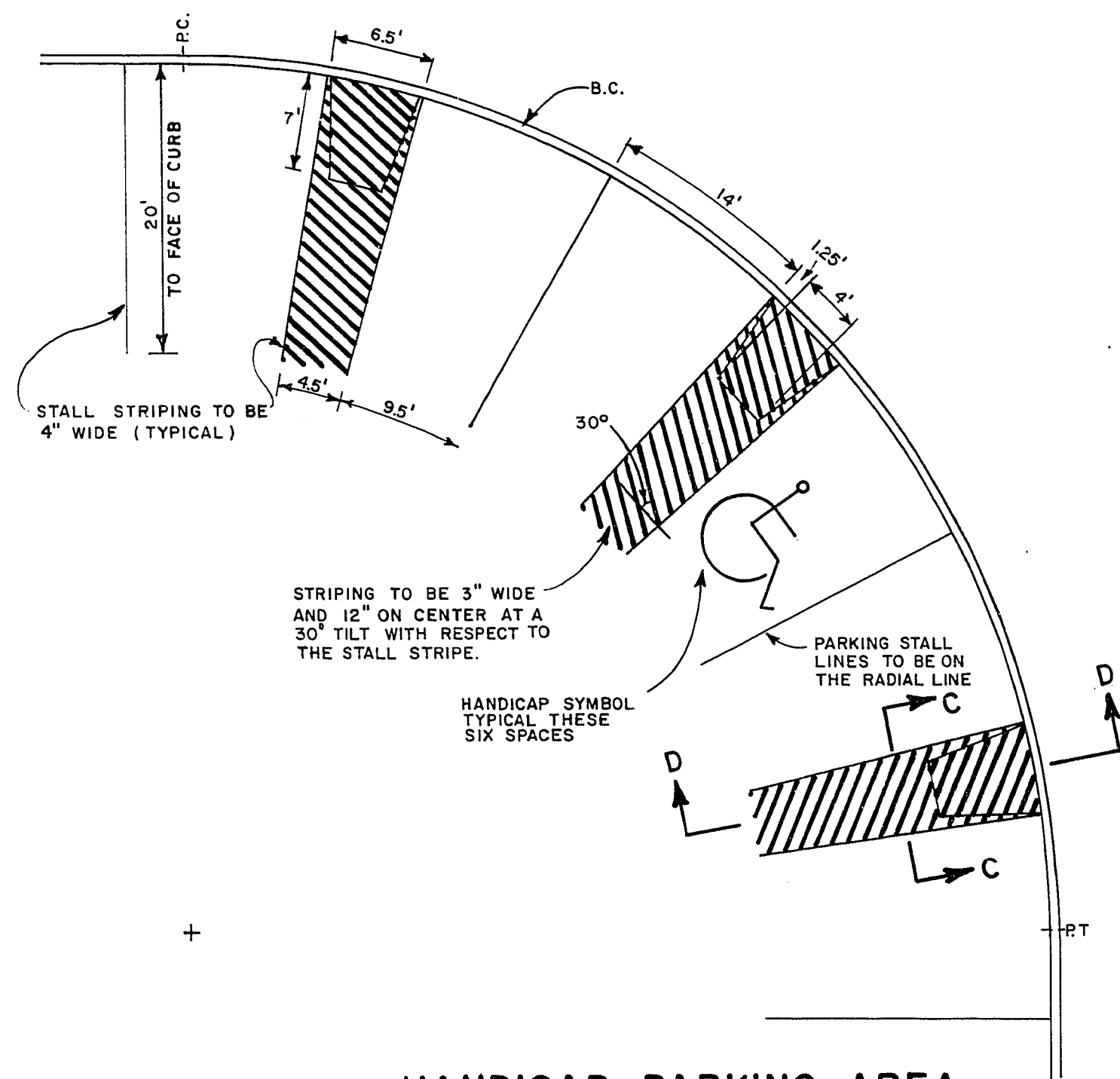
TRENCH DRAIN PLAN VIEW



SECTION "C - C"
NO SCALE

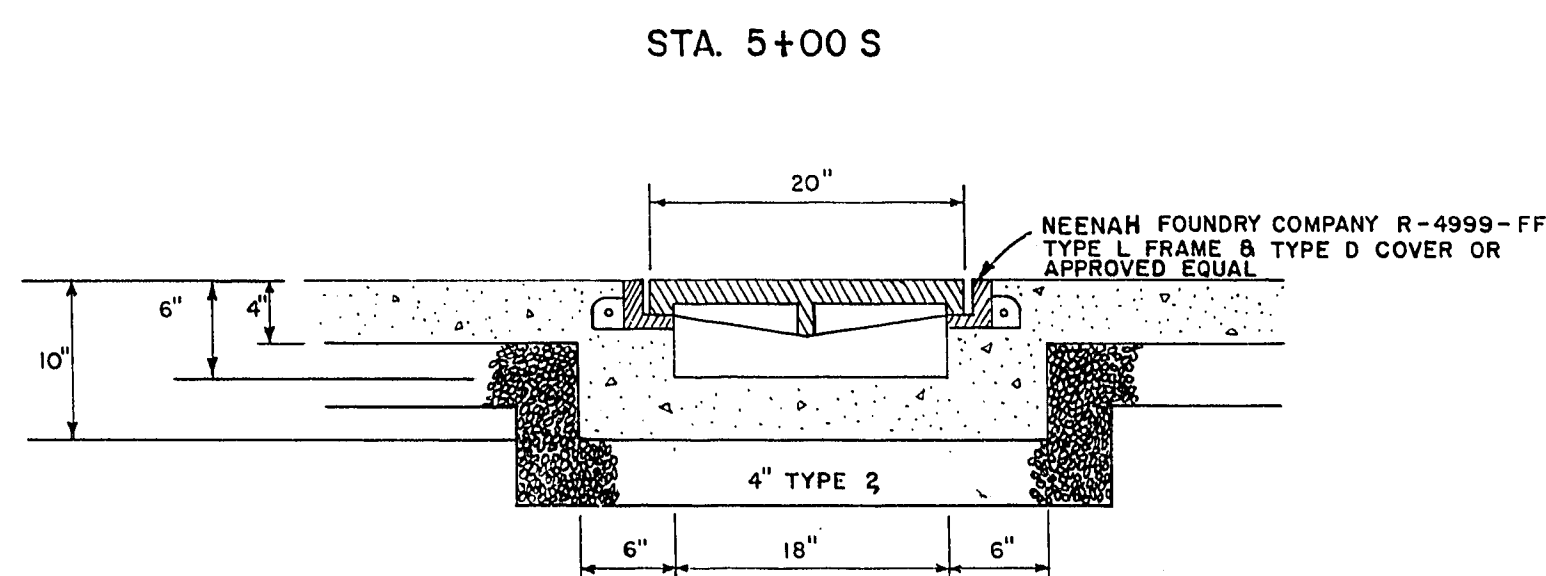


SECTION "D - D"
NO SCALE

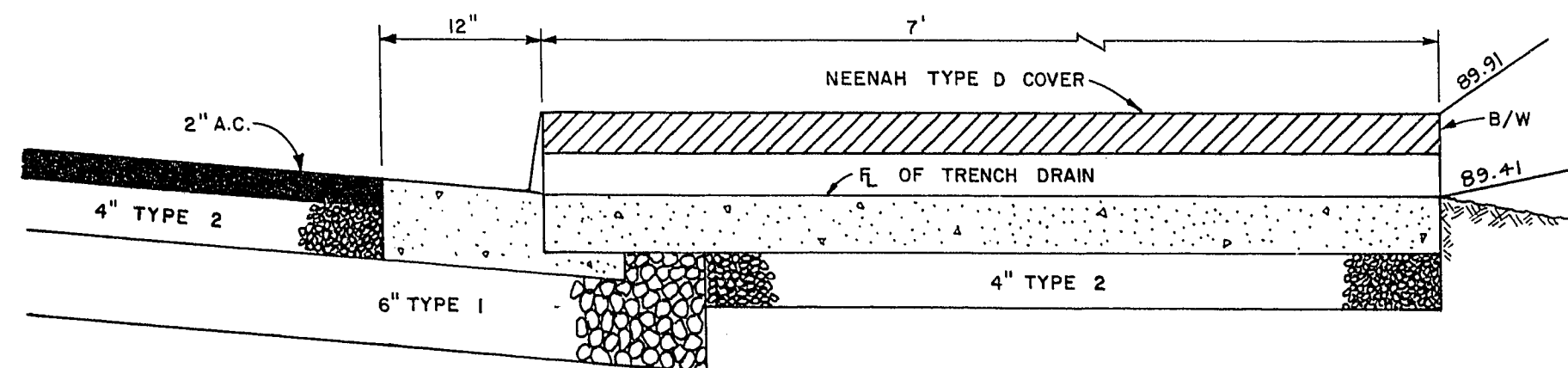


HANDICAP PARKING AREA

SCALE: 1" = 10'



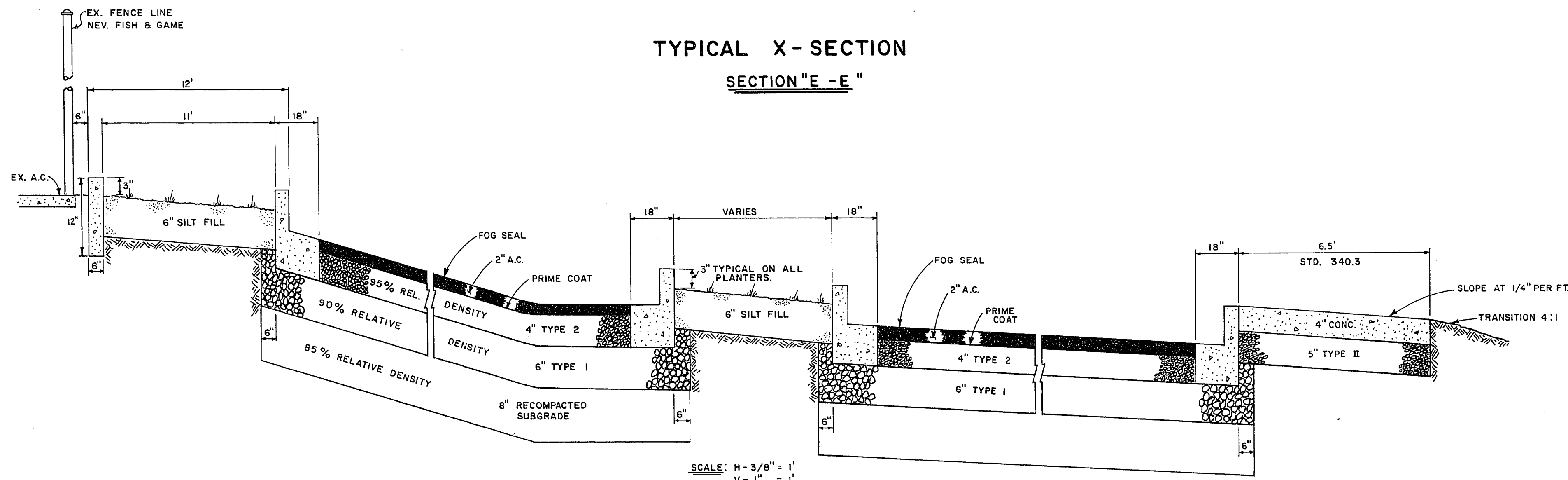
SECTION A-A



SECTION B-B

TRENCH DRAIN DETAILS

SCALE 1" = 1'



TYPICAL X-SECTION
SECTION "E - E"

SCALE: H-3/8" = 1'
V-1" = 1'

PARKING LOT			
APPROXIMATE QUANTITIES			
ITEM N ^o	DESCRIPTION	UNIT	QUANTITY
201.01.01	CLEARING AND GRUBBING	L.S.	LUMP SUM
202.00.01	CONCRETE AND A.C. REMOVAL	L.S.	LUMP SUM
203.00.01	EXCAVATION	C.Y.	1 5 1 0
203.02.05	BORROW FILL	C.Y.	3 2 3
211.03.06	6" SILT FILL	C.Y.	2 0 7
302.00.01	TYPE 1 GRAVEL	C.Y.	1 4 1 8
302.00.02	TYPE 2 GRAVEL	C.Y.	9 4 9
401.00.02	2" A.C.	TONS	9 0 9
401.00.03	3" A.C.	TONS	4 1/2
406.00.01	PRIME COAT	GAL.	2 3 3 7
407.00.01	FOG SEAL	GAL.	1 1 6 9
613.00.01	24" "L" TYPE CURB AND GUTTER	L.F.	4 8
613.00.02	18" "L" TYPE CURB AND GUTTER	L.F.	2 2 4 5
613.00.03	COMMERCIAL DWY.	S.F.	4 7 6
613.00.04	4" CONC. SIDEWALK	S.F.	4 7 7 5
613.00.05	6" X 12" "A" TYPE CURB	L.F.	4 8 4
613.03.03	DRAINAGE OUTLET THROUGH CURB	E.A.	1
628.00.00	STALL STRIPING AND PAINTING	L.F.	5 1 4 0
626.00.00	CLEANING AND FINAL CLEAN UP	L.S.	LUMP SUM

NOTE: ALL "L" TYPE ISLAND CURB SHALL CONFORM TO STANDARD SPECIFICATION SECT. 340.2

Date

Revisions

W.A. no. 0022

Scale (H) AS SHOWN Scale (V) N/A
 Fld. bk. no. 78-2X Date MAY, 1980
 Design by MARK JONES Drawn by NORMA GOMEZ

Engineering Design Division
 PARKING LOT ADDITION
 DETAILS AND
 APPROXIMATE QUANTITIES

Department of Public Services
 ED FOUNTAIN PARK
 PHASE II

0513-85

Drawing no. 675-22A Pl 3