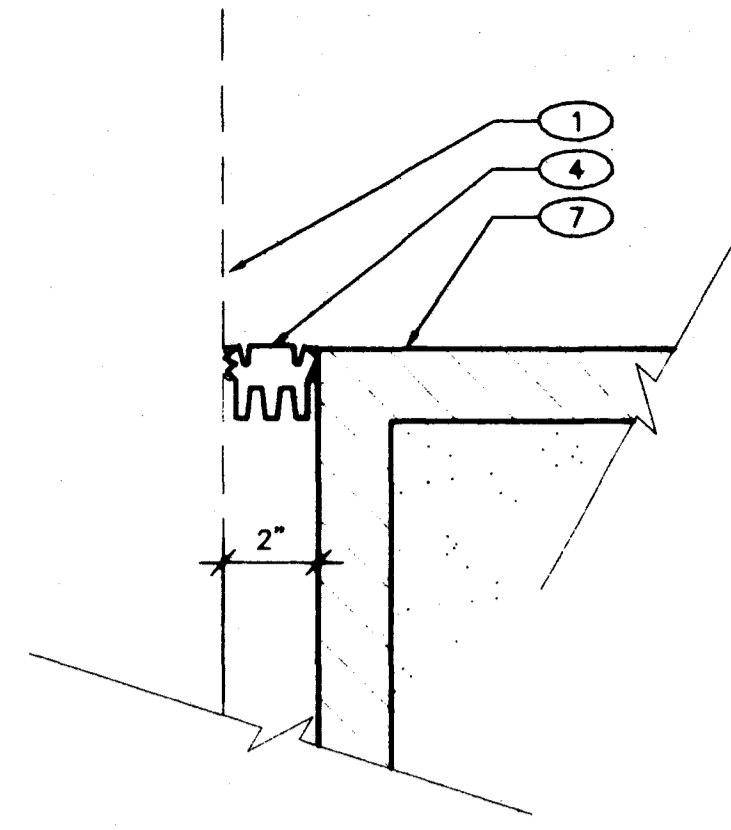
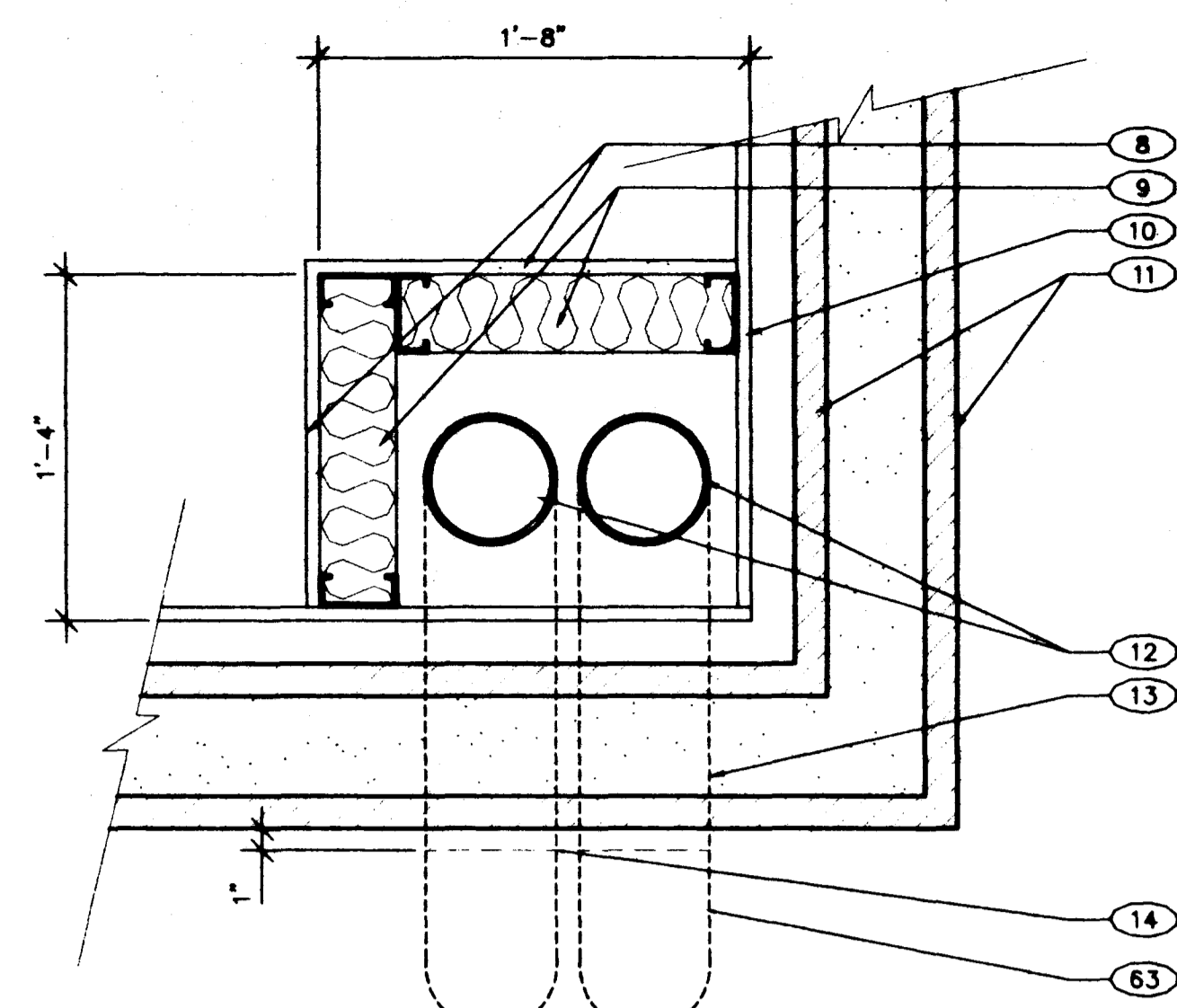


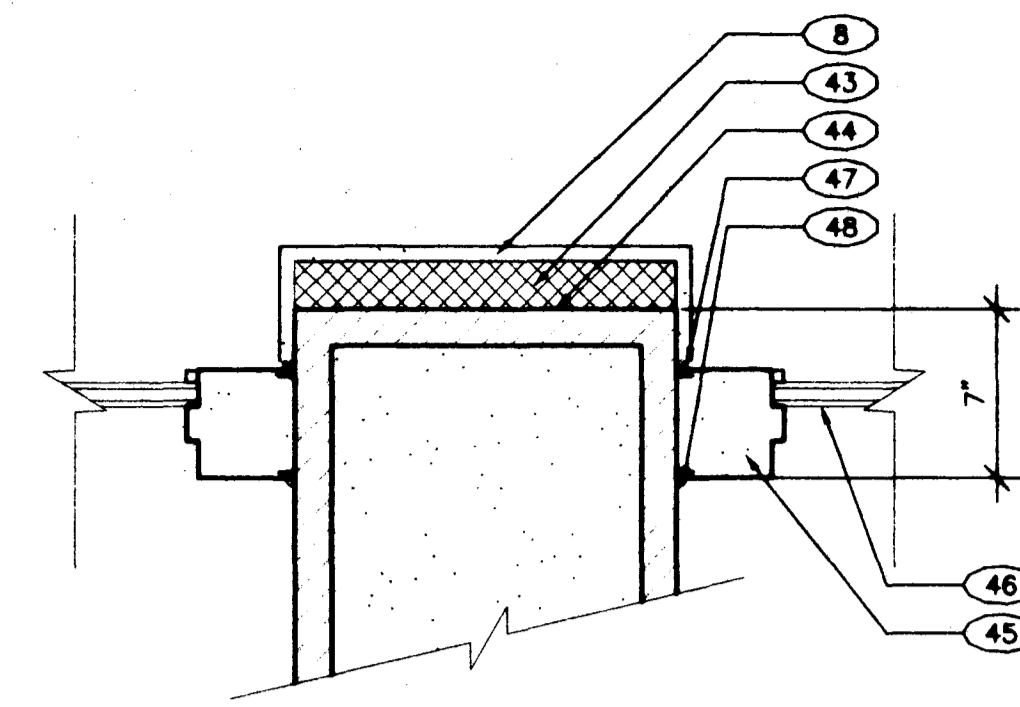
1 Expansion Joint
Scale: 3"=1'-0"



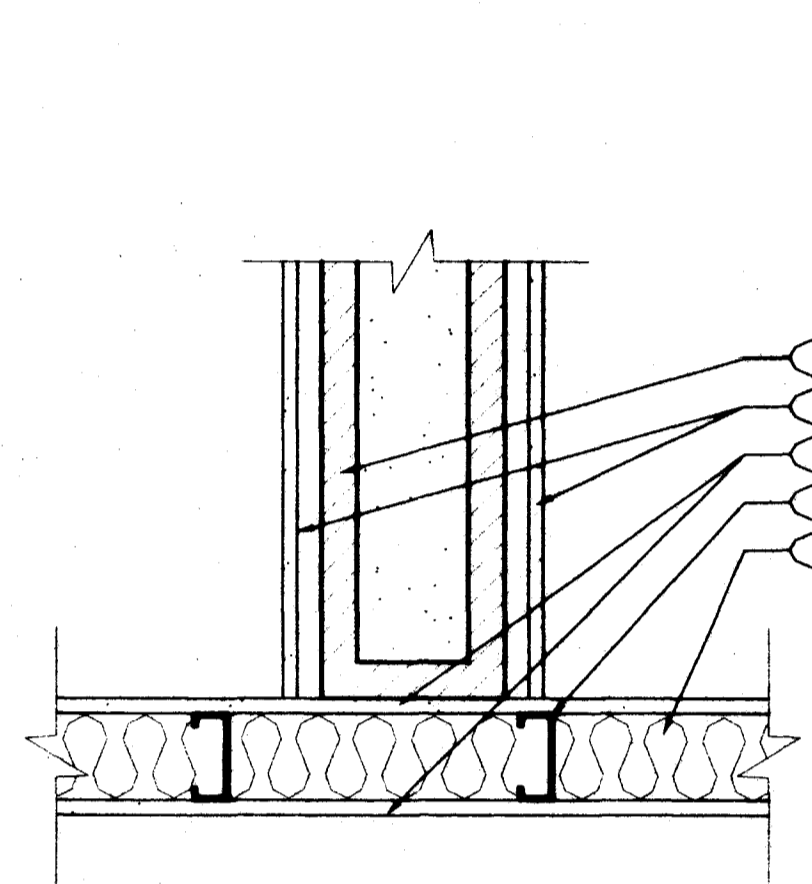
2 Expansion Joint
Scale: 3"=1'-0"



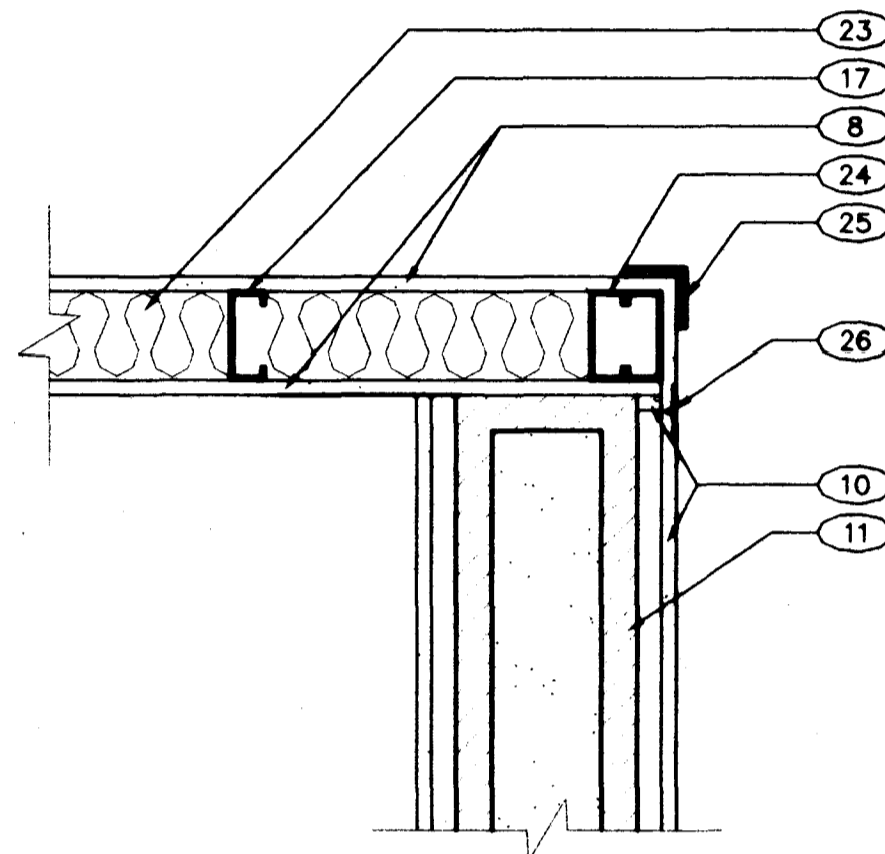
3 Downspout Chase
Scale: 1-1/2"=1'-0"



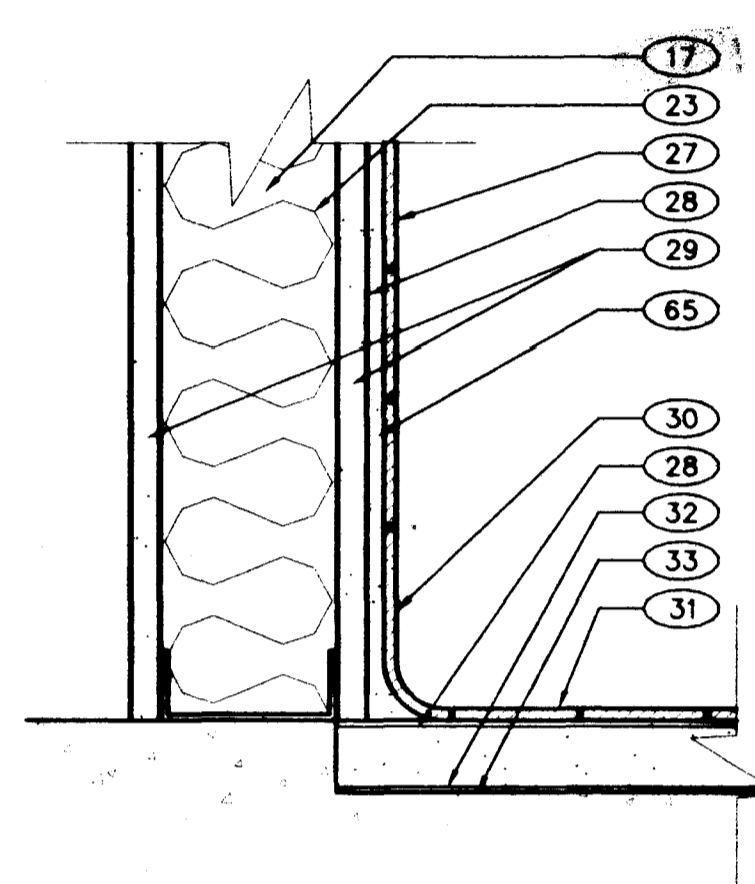
4 Pilaster Detail
Scale: 1-1/2"=1'-0"



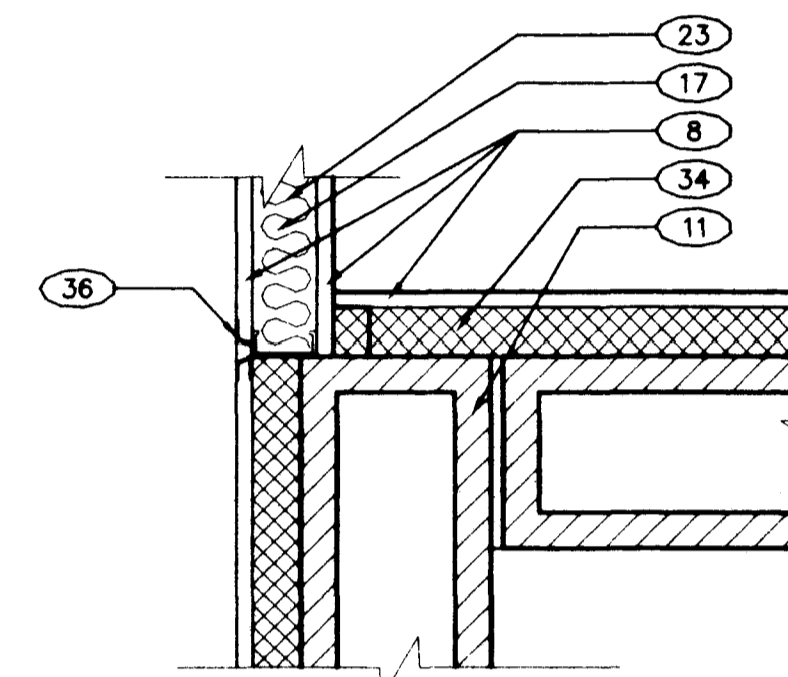
5 Wall Intersection
Scale: 1-1/2"=1'-0"



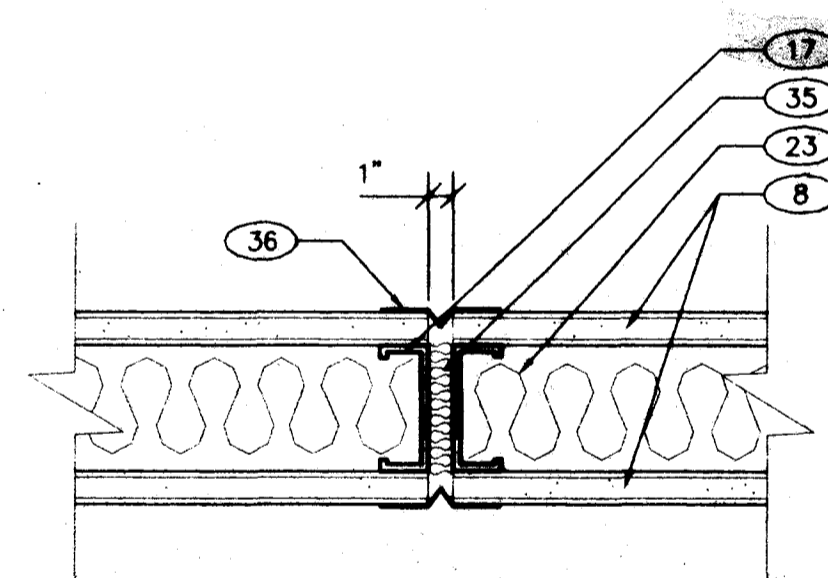
6 Wall Intersection
Scale: 1-1/2"=1'-0"



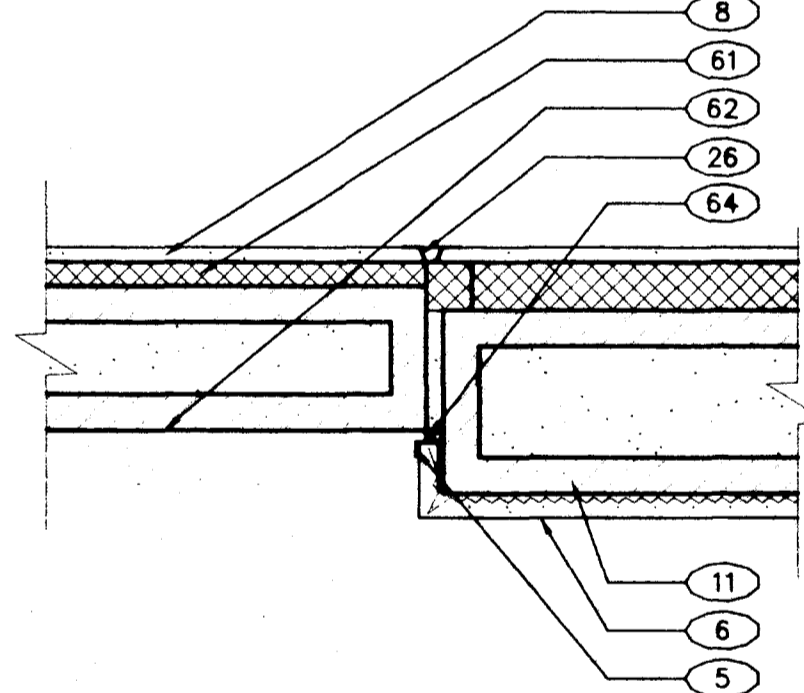
7 Tile Base/Cove
Scale: 3"=1'-0"



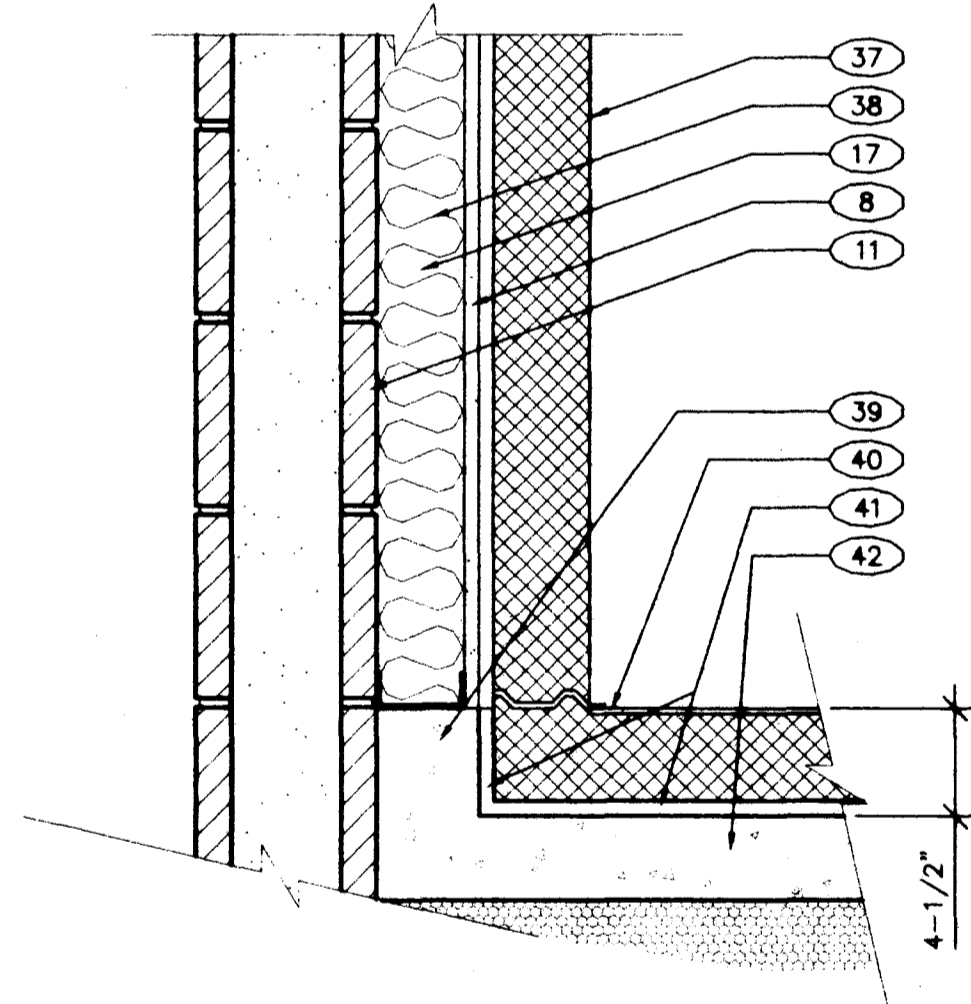
8 Wall Intersection
Scale: 1-1/2"=1'-0"



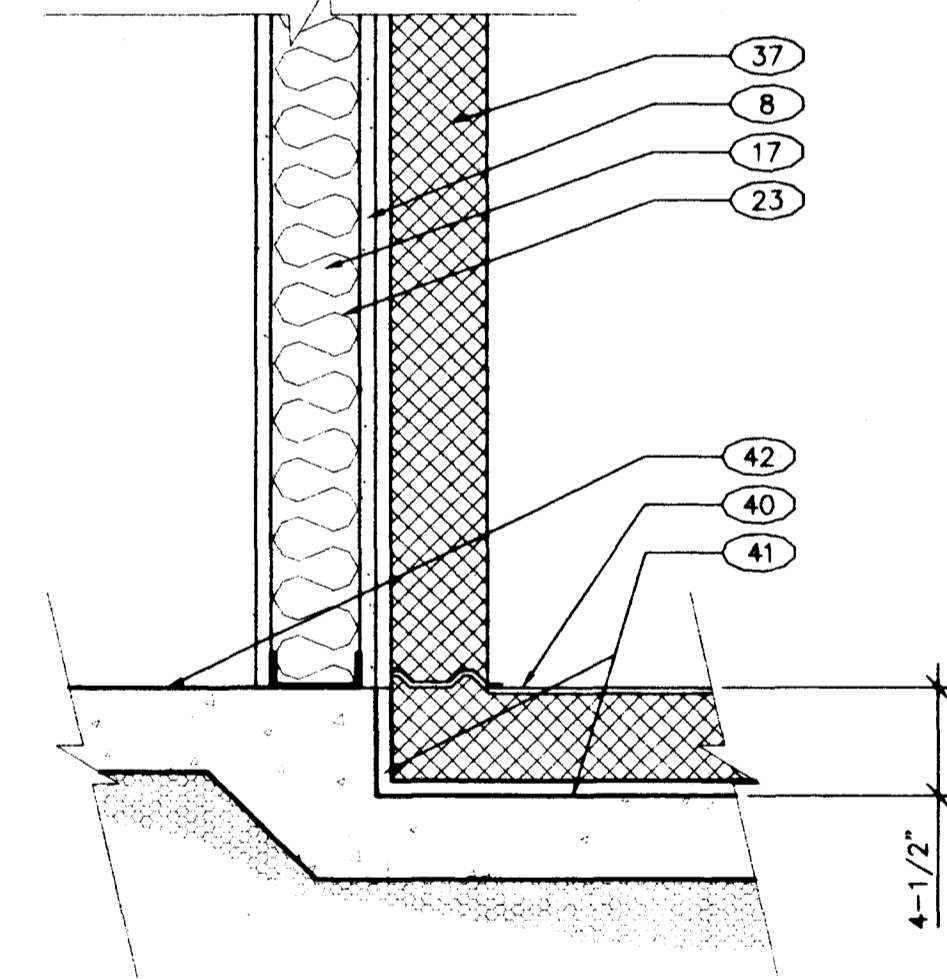
9 Typical Control Joint
Scale: 3"=1'-0"



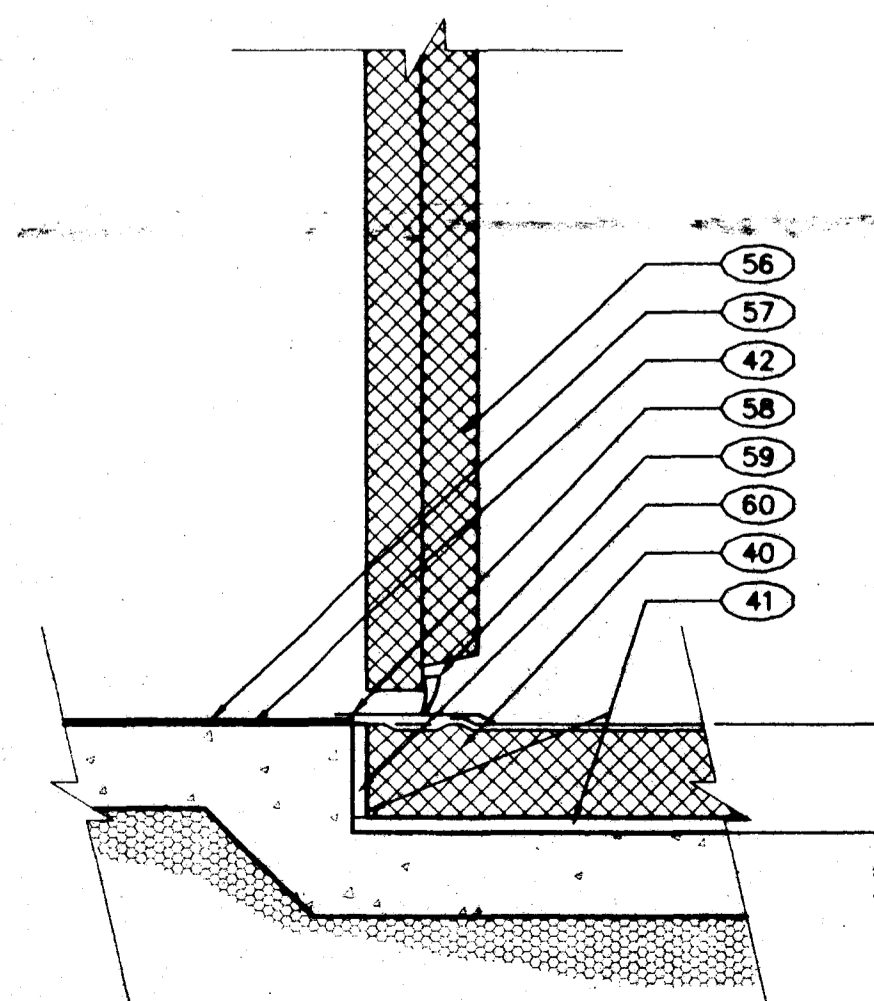
10 Wall Intersection
Scale: 1-1/2"=1'-0"



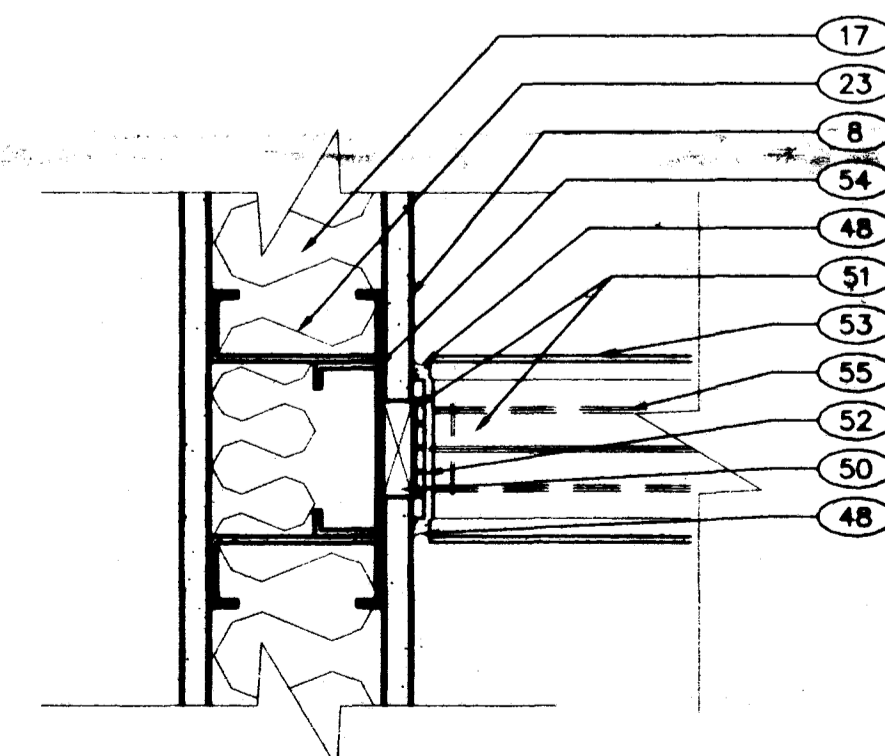
11 Wall Detail
Scale: 1-1/2"=1'-0"



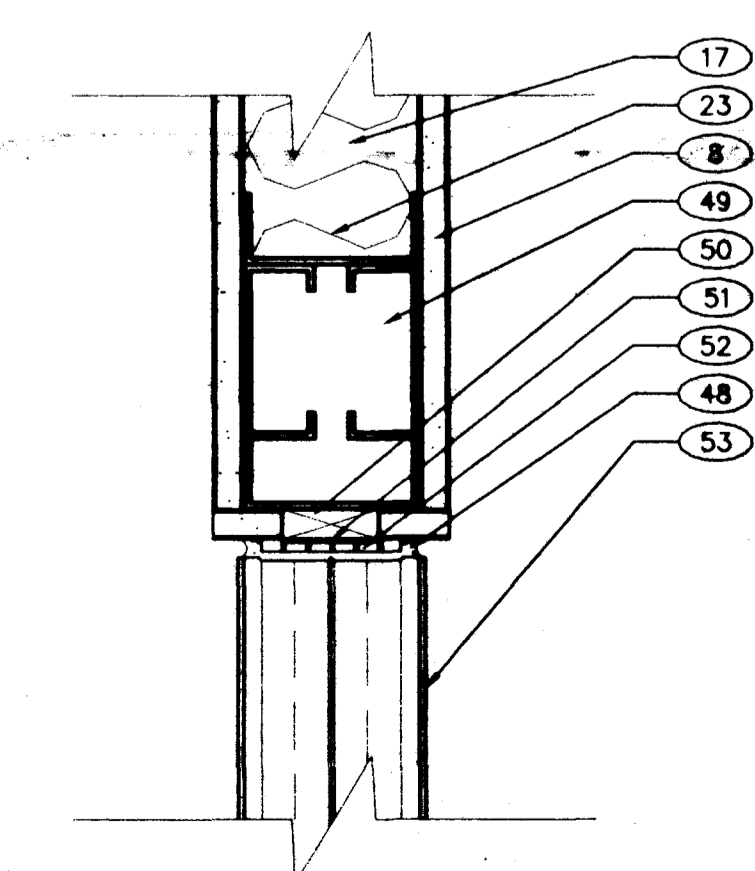
12 Wall Detail
Scale: 1-1/2"=1'-0"



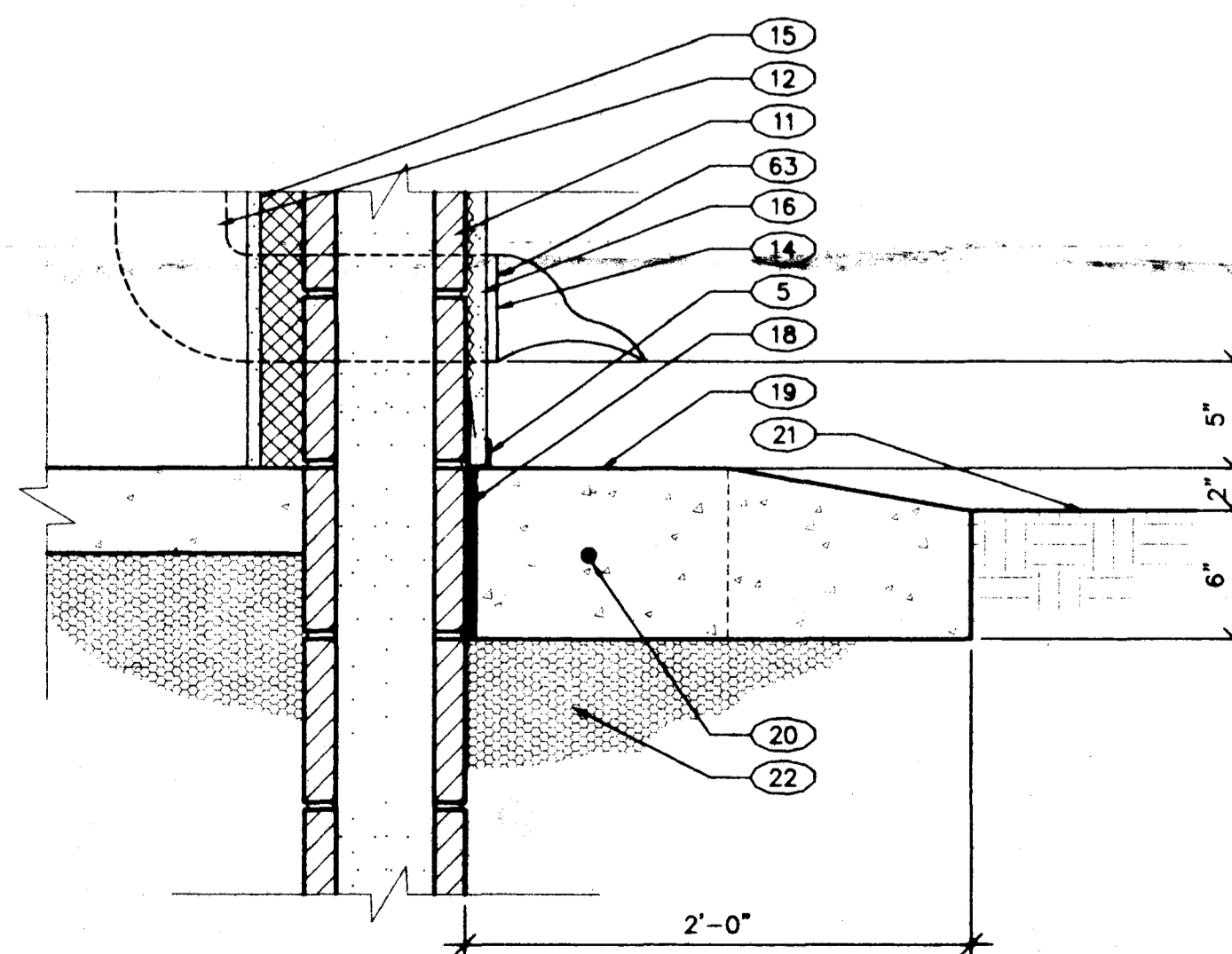
13 Door Section
Scale: 1-1/2"=1'-0"



14 Glass Block Jamb
Scale: 3"=1'-0"



15 Glass Block Head
Scale: 3"=1'-0"



16 Typical Splash Block
Scale: 1-1/2"=1'-0"

Detail Keynotes

- 1 Line of Existing C.M.U. Building Wall.
- 2 New C.M.U. Building Wall, Aligned Flush with Existing C.M.U. Building Wall.
- 3 Existing Concrete Plaster.
- 4 Aluminum/Elastomeric Expansion Joint System, (MM Systems Corporation, Series VSS-200).
- 5 Metal Casing Bead.
- 6 Stucco with Metal Lath.
- 7 New C.M.U. Building Wall.
- 8 5/8" Type 'X' Gypsum Board.
- 9 3-5/8" Metal Studs with Sound Attenuation Batts.
- 10 5/8" Type 'X' Gypsum Board Over Furring. Refer to Floor Plan.
- 11 C.M.U. Wall. Refer to Structural Drawings.
- 12 Roof Drain Downspouts. Refer to Plumbing Drawings.
- 13 Route Downspouts through Wall to Splash Block. As Required for Discharge Nozzle Installation.
- 14 Extend Downspouts 1" Beyond Face of Wall or Stucco Finish.
- 15 5/8" Type 'X' Gypsum Board Over Metal Furring.
- 16 Stucco, Where Occurs.
- 17 3-5/8" Metal Studs.
- 18 1/2" Expansion Material.
- 19 16" Wide Concrete Splash - Centered on Drains.
- 20 #4 Continuous.
- 21 Finish Grade.
- 22 Line of Concrete Strip Beyond Base Material.
- 23 Sound Attenuation Batts.
- 24 Double Studs at Corner.
- 25 Corner Guard.
- 26 Gypsum Board Control Joint.
- 27 Ceramic Wall Tile.
- 28 Bond Coat.
- 29 5/8" Type 'X', Water Resistant Gypsum Board.
- 30 Ceramic Tile Base/Cove Unit.
- 31 Ceramic Floor Tile.
- 32 Mortar Bed Bond Coat.
- 33 Depress Slab 1-1/2".
- 34 Rigid Insulation with Metal Furring.
- 35 Fill Void with Fire Safing.
- 36 Metal Control Joint.
- 37 4" Thick Prefabricated Refrigerator/Freezer Wall Panel.
- 38 Batt Insulation.
- 39 Concrete Curb.
- 40 4-1/4" thick Urethane Floor with 14 ga. Galvanized Metal Wearing Surface.
- 41 24 ga. Galvanized Metal Surface.
- 42 Concrete Slab. Refer to Structural Drawings.
- 43 2" Rigid Insulation with Metal Furring.
- 44 C.M.U. Pilaster.
- 45 Hollow Metal Window Frame, Grouted Solid.
- 46 Glazing.
- 47 Caulking.
- 48 Sealant.
- 49 Double Stud Header.
- 50 Solid Blocking.
- 51 Panel Anchor.
- 52 Expansion Strip.
- 53 Glass Block Unit.
- 54 Continuous Metal Stud Blocking.
- 55 Horizontal Panel Reinforcing.
- 56 4" Thick Prefabricated Refrigerator/Freezer Door.
- 57 Slip Resistant Vinyl Flooring.
- 58 12 ga. Stainless Steel Threshold.
- 59 Wiper Gasket.
- 60 Shim.
- 61 1" Rigid Insulation.
- 62 8 x 6 x 16 Single Scored C.M.U.
- 63 Metal Discharge Nozzle. Refer to Plumbing Drawings.
- 64 Sealant and Backer Rod at 1/2" Wide Joint.
- 65 Cementitious Backer Board.

Do Not
 Scale This Drawing.
 The Design Professional's Seal and Stamp
 Shall Only Be Used on Plans, Specifications, and Reports
 Prepared by the Design Professional.

Doolittle Community Center
 1901 North J Street
 City of Las Vegas
 Bid # 98-1739-07

Details

Date:	07/01/97
Drawn By:	DY/SV
Reviewed By:	RS
Project No.:	340B
File Path:	G:\Data\RAF\340ADCC\DRAWINGS\N340FP02.dwg
Sheet No.:	3042FP06

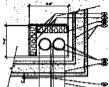
1 Expansion Joint
See page 10



2 Expansion Joint
See page 10



3 Downspout Chase
See page 10



4 Plaster Detail
See page 10



5 Wall Intersection
See page 10



6 Wall Intersection
See page 10



7 Tile Base/Cove
See page 10



8 Wall Intersection
See page 10



9 Typical Control Joint
See page 10



10 Wall Intersection
See page 10



11 Wall Detail
See page 10



12 Wall Detail
See page 10



13 Door Section
See page 10



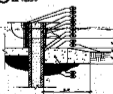
14 Glass Block Joint
See page 10



15 Glass Block Head
See page 10



16 Typical School Block
See page 10



Detail Exposition

- 101 See in building section, pointing out
- 102 See in building section, pointing out
- 103 See in building section, pointing out
- 104 See in building section, pointing out
- 105 See in building section, pointing out
- 106 See in building section, pointing out
- 107 See in building section, pointing out
- 108 See in building section, pointing out
- 109 See in building section, pointing out
- 110 See in building section, pointing out
- 111 See in building section, pointing out
- 112 See in building section, pointing out
- 113 See in building section, pointing out
- 114 See in building section, pointing out
- 115 See in building section, pointing out
- 116 See in building section, pointing out
- 117 See in building section, pointing out
- 118 See in building section, pointing out
- 119 See in building section, pointing out
- 120 See in building section, pointing out
- 121 See in building section, pointing out
- 122 See in building section, pointing out
- 123 See in building section, pointing out
- 124 See in building section, pointing out
- 125 See in building section, pointing out
- 126 See in building section, pointing out
- 127 See in building section, pointing out
- 128 See in building section, pointing out
- 129 See in building section, pointing out
- 130 See in building section, pointing out
- 131 See in building section, pointing out
- 132 See in building section, pointing out
- 133 See in building section, pointing out
- 134 See in building section, pointing out
- 135 See in building section, pointing out
- 136 See in building section, pointing out
- 137 See in building section, pointing out
- 138 See in building section, pointing out
- 139 See in building section, pointing out
- 140 See in building section, pointing out
- 141 See in building section, pointing out
- 142 See in building section, pointing out
- 143 See in building section, pointing out
- 144 See in building section, pointing out
- 145 See in building section, pointing out
- 146 See in building section, pointing out
- 147 See in building section, pointing out
- 148 See in building section, pointing out
- 149 See in building section, pointing out
- 150 See in building section, pointing out
- 151 See in building section, pointing out
- 152 See in building section, pointing out
- 153 See in building section, pointing out
- 154 See in building section, pointing out
- 155 See in building section, pointing out
- 156 See in building section, pointing out
- 157 See in building section, pointing out
- 158 See in building section, pointing out
- 159 See in building section, pointing out
- 160 See in building section, pointing out
- 161 See in building section, pointing out
- 162 See in building section, pointing out
- 163 See in building section, pointing out
- 164 See in building section, pointing out
- 165 See in building section, pointing out
- 166 See in building section, pointing out
- 167 See in building section, pointing out
- 168 See in building section, pointing out
- 169 See in building section, pointing out
- 170 See in building section, pointing out
- 171 See in building section, pointing out
- 172 See in building section, pointing out
- 173 See in building section, pointing out
- 174 See in building section, pointing out
- 175 See in building section, pointing out
- 176 See in building section, pointing out
- 177 See in building section, pointing out
- 178 See in building section, pointing out
- 179 See in building section, pointing out
- 180 See in building section, pointing out
- 181 See in building section, pointing out
- 182 See in building section, pointing out
- 183 See in building section, pointing out
- 184 See in building section, pointing out
- 185 See in building section, pointing out
- 186 See in building section, pointing out
- 187 See in building section, pointing out
- 188 See in building section, pointing out
- 189 See in building section, pointing out
- 190 See in building section, pointing out
- 191 See in building section, pointing out
- 192 See in building section, pointing out
- 193 See in building section, pointing out
- 194 See in building section, pointing out
- 195 See in building section, pointing out
- 196 See in building section, pointing out
- 197 See in building section, pointing out
- 198 See in building section, pointing out
- 199 See in building section, pointing out
- 200 See in building section, pointing out

Details Community Center
 2000 1st St. N.
 St. Paul, MN 55104
 612-291-1111
 www.dca.com